





EXCELLENT SOLUTIONS IN FLUIDTECHNOLOGY

Da oltre 40 anni, Aignep è leader nella produzione di raccordi per aria compressa e fluidi industriali. Grazie ad uno spirito innovativo costante la nostra azienda ha maturato una esperienza di successo in vari settori della automazione industriale con prodotti di alta qualità e design quali: cilindri ed elettrovalvole, la linea di valvole per controllo dei fluidi "FLUIDITY", la linea di distribuzione di aria compressa "INFINITY", raccordi e innesti speciali per ogni tipo di fluido.

Tutti i prodotti sono progettati da un team di ingegneri qualificati e fabbricati in Italia nel sito produttivo di Bione, 25.000 mq. Sono oltre 14.000 articoli standard a catalogo e innumerevoli versioni speciali disponibili su richiesta.

L'azienda investe ogni anno in automazione, innovazione e servizi per soddisfare le richieste della clientela mondiale. Proprio per essere più vicini ai nostri clienti la nostra azienda conta 10 filiali in USA, Spagna, Francia, Svizzera, Brasile, Colombia, Cina, Russia, Germania, Messico assumendo dunque una dimensione multinazionale.

"EXCELLENT SOLUTIONS IN FLUIDTECHNOLOGY"

"Ascoltare e capire i nostri clienti è la forza che ci spinge a sviluppare ogni giorno nuove soluzioni per fluidi e aria compressa"

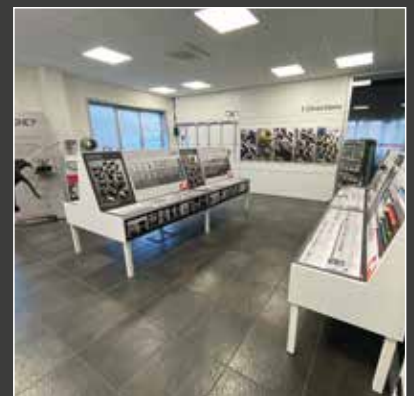
GRAZIANO BUGATTI
Amministratore Delegato

Excellent solutions in Fluidtechnology

For over 40 years, Aignep has been a leading manufacturer of compressed air and industrial fluid fittings. Our company is driven by a constant innovative spirit which has brought us great results in various sectors of industrial automation. Our products are widely known for their high quality and Italian design: pneumatic cylinders and solenoid valves, fluid process control valves "FLUIDITY", compressed air pipeline "INFINITY", fittings and quick couplings for every fluid media. All the products are engineered by a dedicated professional team and manufactured in Italy in the production site of Bione, 25.000 mq. More than 14.000 standard items in the catalogue and numerous special versions on demand. Every year Aignep invests in automation, innovation and services to satisfy the requests of a worldwide customer base. Precisely to be closer to our customers our company has 10 regional branches: USA, Spain, France, Switzerland, Brasil, Colombia, China, Russian, Germany, Mexico becoming a multinational Group.

"Excellent solutions in fluidtechnology"

"Listening to our customers, understanding their needs is the power that drives us to develop everyday new solutions for fluid and compressed air".



Ausgezeichnete Lösungen in der Fluidtechnik

Seit über 40 Jahren ist Aignep führender Hersteller von Steckverbindungen für Druckluft und industrielle Medien. Dank unserem ständigen Streben nach neuen innovativen Lösungen, hat unser Unternehmen in verschiedenen Bereichen der industriellen Automatisierung sehr gute Ergebnisse erzielt. Unsere Produkte sind weithin bekannt für hochwertige Qualität und italienisches Design: Pneumatik-Zylinder und Ventile, Fluidsteuerventile "FLUIDITY", das Druckluftverteilungssystem "INFINITY", spezielle Kupplungen und Armaturen für alle Medien.

Alle Produkte werden von einem Team qualifizierter Ingenieure entwickelt und in der 25.000 Quadratmeter grossen Produktionsstätte in Bione (Italien) hergestellt. Mehr als 14.000 Standardprodukte stehen im Katalog und unzählige spezielle Ausführungen gibt es auf Anfrage.

Das Unternehmen investiert jährlich in die Automatisierung, Entwicklung und deb Service, um den Anforderungen der Kunden weltweit gerecht zu werden. Um unseren Kunden noch näher zu sein, auf dem Weg zu einem multinationalen Konzern, hat unser Unternehmen 10 regionale Niederlassungen: in den USA, Spanien, Frankreich, der Schweiz, Brasilien, Kolumbien, China, Russland, Deutschland, Mexiko.

"Excellent solutions in fluidtechnology"

"Unseren Kunden zuhören und Ihre Bedürfnisse verstehen, ist die treibende Kraft, damit wir jeden Tag neue Lösungen entwickeln für Flüssigkeiten und Druckluft."



Excellentes solutions dans la Technologie des Fluides

Depuis plus de 40 ans, Aignep est leader dans la fabrication de raccords pour air comprimé et de nombreux fluides industriels. Notre société animée par un esprit d'innovations constant nous conduit à d'excellents résultats dans divers secteurs de l'automatisation industrielle. Nos produits sont largement reconnus pour leur haute qualité: raccords basse pression et coupleurs rapides tous fluides, composants pneumatiques, électrovannes "FLUIDITY", réseau pour air comprimé "INFINITY".

Tous les produits sont conçus par une équipe d'ingénieurs ayant une forte expérience professionnelle et fabriqués en Italie sur le site de production de Bione, 25.000 m². Plus de 14.000 articles standards sont présents dans notre catalogue général avec possibilité de nombreuses versions spéciales sur demande. Chaque année Aignep investit dans l'automatisation, l'innovation et les services pour encore mieux répondre aux exigences de nos clients présents sur tous les continents. Aignep est également représenté avec ses 10 filiales: États-Unis, Espagne, France, Suisse, Brésil, Colombie, Chine, Russie, Allemagne, Mexique prenant ainsi une dimension multinationale.

"Excellent solutions in fluidtechnology"

"L'écoute de nos clients, comprendre leurs besoins nous pousse à développer tous les jours, de nouvelles solutions pour l'air comprimé et les fluides industriels".



Soluciones excelentes en la Tecnología de Fluidos

Desde hace más de 40 años, Aignep es un fabricante líder de racores para aire comprimido y fluidos industriales. Gracias a un espíritu innovador constante, nuestra empresa ha adquirido una experiencia exitosa en diversos campos de la automatización industrial con productos de alta calidad y diseño tales como: cilindros y válvulas, la línea de válvulas de control de fluidos "FLUIDITY", la línea de distribución aire comprimido "INFINITY", acoplamientos y accesorios especiales para cada tipo de fluido.

Todos los productos son diseñados por un equipo de ingenieros cualificados y fabricados en Italia en el centro de producción de Bione, 25.000 metros cuadrados. Hay más de 14.000 productos de catálogo estándar y un sin número de versiones especiales disponibles bajo petición. La empresa invierte anualmente en la automatización, innovación y servicios para satisfacer las demandas de los clientes globales. Sólo para estar más cerca de nuestros clientes nuestra compañía tiene 10 sucursales en el EE.UU., España, Francia, Suiza, Brasil, Kolomupia, China, Rusia, Alemania, México asumiendo así una dimensión multinacional.

"Excellent solutions in fluidtechnology"

"Escuchar y comprender a nuestros clientes es la fuerza que nos impulsa a desarrollar cada día nuevas soluciones para aire comprimido y fluidos".



Soluções de Excelência em Tecnologia de Fluidos

Por mais de 40 anos, a Aignep é um dos líderes na fabricação de conexões para ar comprimido e fluidos industriais. Nossa companhia é guiada por um espírito de constante inovação o qual nos trouxe grandes resultados em vários setores da automação industrial. Nossos produtos são amplamente conhecidos por sua alta qualidade e design italiano: cilindros pneumáticos e válvulas solenóide, válvulas de proceso e controle de fluidos "FLUIDITY", rede de ar comprimido "INFINITY", conexões e engates rápidos para todos os tipos de fluidos. Todos os nossos produtos são desenvolvidos por um time de profissionais extremamente dedicado e capacitado, e são fabricados na tália em nossa planta localizada em Bione, com 25.000 m². Mais de 14.000 itens standard estão disponíveis em nosso catálogo e inúmeras versões especiais são desenvolvidas por encomenda de nossos clientes. Todo ano a Aignep investe em automação, inovação e serviços de forma a satisfazer às demandas de nossa base mundial de clientes. De forma a estar próxima de nossos cliente nossa empresa possui 10 subsidiárias: Estados Unidos, Espanha, França, Suíça, Brasil, Colômbia, China, Rússia, Alemão, México tornando-se um forte grupo multinacional.

"Excellent solutions in fluidtechnology"

"Ouvir nosso clientes e entender suas necessidades é o poder que nos direciona e motiva diariamente no desenvolvimento de novas soluções para os campos de fluidos e ar comprimido".



AIGNEP SPA - Headquarter

Via Don G. Bazzoli - 34
25070 Bione (BS)
ITALY

T: +39 0365 896626
F: +39 0365 896561

aignep.it@aignep.com

Fluidity division:

Via Archimede - 31
20864 Agrate Brianza (MB)
ITALY

AIGNEP USA LLC

Headquarter:

7121 Loblolly Pine Blvd
Fairview, TN 37062
U.S.A.

T: +1 615 771 6650
F: +1 615 771 0926

aignep.usa@aignep.com

Branch Office:

Greater Toronto Area
CANADA

T: +1 647 473 6802

aignep.ca@aignep.com

AIGNEP IBERICA SA

Pol. Ind. el Tortuguer "Can Prat"
Naves 23 y 24 08691
Monistrol de Montserrat - Barcelona
SPAIN

T: +34 93 828 47 36
F: +34 93 828 44 32

aignep.es@aignep.com

AIGNEP FRANCE SARL

Rue du Tertre, 1A - 44470
Carquefou
FRANCE

T: +33 27 22 42 650

aignep.fr@aignep.com

AIGNEP (Wuxi) FLUID TECHNOLOGY CO., LT D.

NO. 8, Yanggong Road, Nanhu
Main Road, Wuxi Jiangsu.
CHINA

T: +86 0510 8544 1923
F: +86 0510 8540 0223

aignep.cn@aignep.com

AIGNEP RUS LLC.

Ryazansky prosp. h. 22, build. 2,
office 723, 109428 - Moscow
RUSSIAN

T: +7 49 5143 6286

aignep.ru@aignep.com

Distribution network in:

ALBANIA ALGERIA ARGENTINE AUSTRALIA AUSTRIA AZERBAIGIAN BELARUS BELGIUM BOLIVIA BOSNIA
HERZEGOVINA **BRASIL** BULGARIA CAMEROON **CANADA** CHILE **CHINA** **COLOMBIA** COSTA RICA CROATIA CYPRUS
CZECH REPUBLIC DEM. REP. CONGO DENMARK ECUADOR EGYPT EIRE ESTONIA ETHIOPIA FINLAND **FRANCE**
GERMANY GHANA GREAT BRITAIN GREECE GUATEMALA HONG KONG HUNGARY ICELAND INDIA INDONESIA
IRAN IRAQ ISRAEL **ITALY** IVORY COAST JAPAN JORDAN KAZAKISTAN KUWAIT LATVIA LEBANON LITHUANIA

in the world

AIGNEP AG

Industriestrasse 22A
CH-2545 Selzach
SWITZERLAND

T: +41 32 342 09 09
F: +41 32 342 09 11

aignep.ch@aignep.com

AIGNEP DO BRASIL INDÚSTRIA E COMERCIO DE COMPONENTES PARA AUTOMAÇÃO LTDA

Rua Batista Pereira, 99 - Macuco
Vila Mathias - 11015-011 - Santos/SP
BRASIL

T: +55 13 2138 4049
F: +55 13 2138 4052

aignep.br@aignep.com

AIGNEP LATAM SAS

Headquarter:

Calle 15, N 27-78, Local 7
Sec. Paloquemao - 111411
Bogotá
COLOMBIA

T: +57 601 375 2501/8
T: +57 601 744 2086
T: +57 601 745 2736

Branch Office:

Carrera 50 FF, N 8 Sur - 27
Ofi 404 Edificio 8908 - 050023 Me-
dellin
COLOMBIA

T: +57 46 04 25 34
T: +57 46 04 21 87

www.aignep.com.co

AIGNEP DEUTSCHLAND GMBH

Sitz der Gesellschaft: 48739 Legden
Industriepark 2
GERMANY

T: +49 2566 7039 290
F: +49 2566 7039 299

aignep.de@aignep.com

AIGNEP MÉXICO S.A DE C.V.

Año de Juárez, 177 - 09070
Bodega 2, Granjas de San Antonio
Iztapalapa
MEXICO

T: +52 55 5686 1421
F: +52 55 5686 1575

aignep.mx@aignep.com

LUXEMBOURG MALAYSIA MAROCCO **MEXICO** MOLDOVA NEW ZELAND NICARAGUA NIGERIA NORTH MACEDONIA
NORWAY OMAN PAKISTAN PANAMAPERU PHILIPPINES POLAND PORTUGAL QATAR REPUBLIC OF DOMINICANA
REPUBLIC OF MACEDONIA ROMANIA **RUSSIAN** SAUDI ARABIA SENEGAL SERBIA SINGAPORE SLOVAKIA
SLOVENIA SOUTH AFRICA SOUTH KOREA **SPAIN** SWEDEN **SWITZERLAND** TAIWAN TANZANIA THAILAND
THE NETHERLANDS TUNISIA TURKEY UKRAINE UAE URUGUAY **USA** VIETNAM YEMEN

...more information at: sales@aignep.it

CERTIFICATO n. 0055/R
CERTIFICATE No. 0055/R

ICIM è un membro di **IQNet**

ICIM è un membro di **ISO 9001:2015**

AIGNEP S.P.A.
Sede e Unità Operativa
 Via Don Bazzoli, 34 - 25070 Bione (BS) - Italia
 Direzione e uffici amministrativi, progettazione, produzione e montaggio, magazzino

Unità Operativa
 Via Industriale, 1 - 25070 Bione (BS) - Italia
 Montaggio e magazzino

EDIZIONE ALLA NORMA ISO 9001:2015 WITH THE STANDARD
UNI EN ISO 9001:2015

System of Quality for Quality Management System
 For the following activities:
SA: 17

Progettazione e fabbricazione di: raccordi, valvole a sfera per l'impiantistica pneumatica, elettrodinamica ed idraulica; componenti per il trattamento dell'aria compressa (FRL); cilindri pneumatici; elettrovalvole pneumatiche e per fluidi, sistemi di distribuzione dell'aria compressa.

Design and production of: fittings, ball valves for pneumatic, hydraulic and plumbing applications; components for compressed-air treatment (FRL); pneumatic cylinders; pneumatic and fluid electromagnetic valves; distribution systems for compressed-air

Valida dal 15/09/2015 al 15/09/2020

ACCREDIA **CISQ**

THE INTERNATIONAL CERTIFICATION NETWORK

CERTIFICATE

CISQ/ICIM SPA has issued an IQNet recognized certificate that the organization:

AIGNEP S.P.A.
Head Office and Operative Unit
 Via Don Bazzoli, 34 - I-25070 Bione (BS)
Operative Unit
 Via Industriale, 1 - I-25070 Bione (BS)

has implemented and maintains a **Quality Management System** for the following scope:

Design and production of: fittings; ball valves for pneumatic, hydraulic and plumbing applications; components for compressed-air treatment (FRL); pneumatic cylinders; pneumatic and fluid electromagnetic valves; distribution systems for compressed-air, which fulfills the requirements of the following standard:

ISO 9001:2015
 Issued on: 2018-09-11
 First issued on: 1992-12-11
 Expires on: 2020-09-11

This attestation is directly linked to the IQNet Partner's original certificate and shall not be used as a stand-alone document.

Registration Number: **IT-3755**

IQNet Partner
 AIGNEP, Spain: AFNOR Certification; France: AFNOR; Portugal: FCC; Cyprus: CRO; Austria: EBC; Czech: GEM; China: CQC; Denmark: DKS; Germany: TUV; Greece: CERT; Hungary: HIR; India: BSI; Italy: UNI-CERT; Japan: JQA; Korea: KTL; Mexico: IMC; Norway: DNV; Poland: PCF; Romania: ROMAT; Russia: RUS-TECH; Slovakia: STC; Spain: AENOR; Sweden: SPS; Switzerland: SGS; Taiwan: TQC; Turkey: TQC; UK: BSI; USA: ISO 9001:2015; Vietnam: VINAQUALITY; China: CQC; India: BSI; Italy: UNI-CERT; Japan: JQA; Korea: KTL; Mexico: IMC; Norway: DNV; Poland: PCF; Romania: ROMAT; Russia: RUS-TECH; Slovakia: STC; Spain: AENOR; Sweden: SPS; Switzerland: SGS; Taiwan: TQC; Turkey: TQC; UK: BSI; USA: ISO 9001:2015; Vietnam: VINAQUALITY

Technická inšpekcia, a.s.
 Trnavská cesta 56, 821 01 Bratislava, Slovenská republika

ACKNOWLEDGEMENT OF RECEIPT

no. 1488/1/2022

Technická inšpekcia, a. s.,
 Trnavská cesta 56, 821 01 Bratislava
 Notified body: 1354,
confirms, that Technical File Documentation
 prepared by
AIGNEP SpA
 Via Don G. Bazzoli 34, 25070 Bione (BS), Italy

has been received and stored according to the Article 13.1(b) (ii) of Directive no 2014/54/EU on equipment and protective systems intended for use in potentially explosive atmospheres

Scope of Ex Equipment:
Fluid Sealed Assisted Valves
 Type:
 21F, 02F, 93F, 94F, X1F, X2F, X4F, F1F, F2F, 05F, K2F, 02A, X2A, K2A, 04A, X4A, X3F

Marking: **II 2 G Ex h IIB T8...T3 Gb -10°C<Tamb<30°C**
II 2 D Ex h IIB T90°C...209°C Db -10°C<Tamb<80°C

Technical File Documentation according to the Annex VIII Article 2 of Directive 2014/54/EU

Documentation	Issue
Technical Book n°3/2022	Issue 00, Rev.03 (Date of issue) 21.3.2022

Technical documentation will be stored for 10 years until May 10th, 2032.

On behalf of Technická inšpekcia, a.s.
 Ing. Vladimír Štefánek
 General Director

CERTIFICATE No.: EUROCERT 23 ATEX 0524

CERTIFICATE OF RECEIPT OF TECHNICAL DOCUMENTATION

According Equipment or protective systems intended for use in potentially explosive atmospheres under DIRECTIVE 2014/34/EU

Manufacturer : **AIGNEP SPA**
 (Name & Address) : **VIA DON GIUSEPPE BAZZOLI N. 34 25070 BIONE - BRESCIA - ITALY**
 TCF No. : **TCF-VC-HY-20230204**
 Product Description : **Angle Seat Valve, Pneumatic Shuttle Valve, Check Valve, Strainer,**
 Model(s) : **Pressure Reducing Valve, Steam Trap, Diaphragm Valve**
 DNS-100

Apparatus Marking: **II 2G/D h T4**

Eurocert S.A., is Notified Body 1128, hereby acknowledges that the manufacturer has fulfilled its duties concerning communication of the dossier of technical documentation to a Notified Body in accordance with the requirements of Directive 2014/34/EU, Article 13, 1. (b) (ii).

If the manufacturer makes any changes to the Technical Documentation mentioned above, this certificate becomes invalid. Possible additions or modifications to the stored Technical Documentation shall be acknowledged by a future revision of this Certificate.

Date issued: **20/03/2023**
 Valid until: **19/03/2033**

Check the validity of this Certificate by scanning the QR code at right.
 EUROCERT S.A. 89 Chios & Livouras str., 14152, Metaxaspolis - Greece
 T: +30 210 62 52 485, +30 210 62 53 927, F: +30 210 62 03 018, M: eurocert@eurocert.gr

Services



MY AIGNEP

I tuoi documenti online

Your documents online

Ihre Dokumente online

Vos documents online

Sus documentos online

Seus documentos online



AIGNEP SCAN

I tuoi ordini in un click

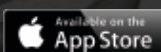
Your orders in one click

Ihre Bestellungen per Mausclick

Vos commandes en un clic

Sus pedidos en un clic

Suas ordens em um clique



Catalogues

I nostri cataloghi a vostra completa disposizione

Our catalogues at your disposal

Unsere Kataloge als PDF oder Papier, wählen sie selbst

Nos catalogues sont à votre disposition

Nuestros catálogos a su completa disposición

Nossos catálogos à sua disposição

0. Introduction

COME LEGGERE IL NUOVO CATALOGO FLUIDITY

HOW TO READ THE NEW FLUIDITY CATALOG
ENTDECKEN SIE UNSEREN NEUEN KATALOG FLUIDITY
COMMENT LIRE LE NOUVEAU CATALOGUE FLUIDITY
CÓMO LEER EL NUEVO CATÁLOGO FLUIDITY
COMO LER O NOVO CATÁLOGO FLUIDITY

Pag 0.1 - 0.4

INTRODUZIONE E FUNZIONAMENTO - TIPOLOGIA DI ELETTROVALVOLE

INTRODUCTION AND FUNCTION - SOLENOID VALVE TYPES
EINFÜHRUNG UND FUNKTIONSWEISE - MAGNETVENTIL TYPEN
INTRODUCTION ET FONCTIONNEMENT - TYPE D'ÉLECTROVANNES
INTRODUCCIÓN Y FUNCIONAMIENTO - VERSIÓN DE LA ELECTROVÁLVULA
INTRODUÇÃO E FUNCIONAMENTO - VERSÕES DA VÁLVULA SOLENÓIDE

Pag 0.5 - 0.10

INFORMAZIONI TECNICHE GENERALI

GENERAL TECHNICAL INFORMATION
ALLGEMEINE TECHNISCHE INFORMATIONEN
INFORMATIONS TECHNIQUES GÉNÉRALES
INFORMACIÓN TÉCNICA GENERAL
INFORMAÇÕES TÉCNICAS GERAIS

Pag 0.11 - 0.12

COEFFICIENTI DI PORTATA K_v e C_v - VISCOSITÀ

FLOW COEFFICIENTS K_v and C_v - VISCOSITY
DURCHFLUSSKOEFFIZIENTEN K_v und C_v - VISKOSITÄT
COEFFICIENTS DE DÉBIT K_v et C_v - VISCOSITÉ
COEFICIENTES DE CAUDAL K_v y C_v - VISCOSIDAD
COEFICIENTES DE FLUXO K_v e C_v - VISCOSIDADE

Pag 0.13 - 0.14

CALCOLO DELLA PORTATA - GRADO DI PROTEZIONE IP

FLOW CALCULATION - IP PROTECTION CLASS
DURCHFLUSSBERECHNUNG - IP SCHUTZGRAD
CALCUL DE LA PORTÉE - DEGRÉ DE PROTECTION IP
CÁLCULO DEL CAUDAL - GRADO DE PROTECCIÓN IP
CÁLCULO DE FLUXO - GRAU DE PROTEÇÃO IP

Pag 0.15 - 0.16

INFORMAZIONI TECNICHE BOBINE

COILS TECHNICAL INFORMATION
SPULEN TECHNISCHE INFORMATIONEN
INFORMATIONS TECHNIQUES SUR LES BOBINES
BOBINAS INFORMACIÓN TÉCNICA
BOBINAS INFORMAÇÕES TÉCNICAS

Pag 0.17 - 0.18

TABELLE DI CONVERSIONE VALORI DI PRESSIONE - TEMPERATURA - VAPORE

CONVERSION TABLES PRESSURE - TEMPERATURE - STEAM VALUES
UMRECHNUNGSTABELLEN DRUCKWERTE - TEMPERATUR - DAMPF
TABLEAUX DE CONVERSION VALEURS DE PRESSION - TEMPÉRATURE - VAPEUR
TABLAS DE CONVERSIÓN VALORES DE PRESIÓN - TEMPERATURA - VAPOR
TABELAS DE CONVERSÃO VALORES DE PRESSÃO - TEMPERATURA - VAPOR

Pag 0.19 - 0.20

TABELLA DI COMPATIBILITÀ CHIMICA - CARATTERISTICHE MATERIALI DI TENUTA

CHEMICAL COMPATIBILITY TABLE - SEALING MATERIALS FEATURES
CHEMISCHE KOMPATIBILITÄTSTABELLE - EIGENSCHAFTEN VON DICHUNGSMATERIALIEN
TABLEAU DE COMPATIBILITÉ CHIMIQUE - CARACTÉRISTIQUES DES MATÉRIAUX D'ÉTANCHÉITÉ
TABLA DE COMPATIBILIDAD QUÍMICA - CARACTERÍSTICAS DE LOS MATERIALES DE SELLADO
TABELA DE COMPATIBILIDADE QUÍMICA - CARACTERÍSTICAS DOS MATERIAIS DE VEDAÇÃO

Pag 0.21 - 0.22

TEMPI DI RISPOSTA - INSTALLAZIONE E MANUTENZIONE

RESPONSE TIMES - INSTALLATION AND MAINTENANCE
REAKTIONSZEIT - INSTALLATIONS UND WARTUNGSHINWEISE
TEMPS DE RÉPONSE - INSTALLATION ET MAINTENANCE
TIEMPO DE RESPUESTA - INSTALACION Y MANTENIMIENTO
TEMPOS DE RESPOSTA - INSTALAÇÃO E MANUTENÇÃO

Pag 0.23 - 0.26

1. Serie 01F 2/2 NC-NO - 3/2 NC-NO**ELETTROVALVOLE AD AZIONAMENTO DIRETTO CON CORPO IN OTTONE**

DIRECT ACTING SOLENOID VALVES WITH BRASS BODY
 MAGNETVENTILE MIT DIREKTER BETÄTIGUNG MIT MESSINGGEHÄUSE
 ÉLECTROVANNES À COMMANDE DIRECTE AVEC CORPS EN LAITON
 ELECTROVÁLVULAS DE ACCIONAMIENTO DIRECTO CON CUERPO DE LATÓN
 ELETROVÁLVULAS DE ACIONAMENTO DIRETO COM CORPO DE LATÃO

**2. Serie X1F 2/2 NC-NO - 3/2 NC-NO****ELETTROVALVOLE AD AZIONAMENTO DIRETTO CON CORPO IN ACCIAIO INOX 316L**

DIRECT ACTING SOLENOID VALVES WITH STAINLESS STEEL 316L BODY
 DIREKTWIRKENDE MAGNETVENTILE MIT EDELSTAHLGEHÄUSE 316L
 ELECTROVANNES A ACTIONNEMENT DIRECT AVEC CORPS EN ACIER INOX 316L
 ELECTROVÁLVULAS DE ACCIONAMIENTO DIRECTO CON CUERPO EN ACERO INOX 316L
 ELETROVÁLVULAS DE ACIONAMENTO DIRETO COM CORPO EM AÇO-INOX 316L

**3. Serie F1F 2/2 NC-NO - 3/2 NC-NO****ELETTROVALVOLE AD AZIONAMENTO DIRETTO CON FISSAGGIO A FLANGIA E CORPO IN OTTONE CW510L**

DIRECT ACTING SOLENOID VALVES WITH FLANGE FIXING AND BRASS CW510L BODY
 MAGNETVENTILE MIT DIREKTER BETÄTIGUNG FLANSCHBEFESTIGUNG UND MESSINGGEHÄUSE CW510L
 ELECTROVANNES A ACTIONNEMENT DIRECT AVEC FIXATION DE LA BRIDE ET CORPS EN LAITON CW510L
 ELECTROVÁLVULAS DE ACCIONAMIENTO DIRECTO CON FIJACIÓN DE BRIDA Y CUERPO DE LATÓN CW510L
 ELETROVÁLVULAS DE ACIONAMENTO DIRETO COM FIXAÇÃO DE FLANGE E CORPO DE LATÃO CW510L

**4. Serie 02F 2/2 NC-NO - 3/2 NC-NO****ELETTROVALVOLE AD AZIONAMENTO DIRETTO CON CORPO IN OTTONE**

DIRECT ACTING SOLENOID VALVES WITH BRASS BODY
 MAGNETVENTILE MIT DIREKTER BETÄTIGUNG MIT MESSINGGEHÄUSE
 ÉLECTROVANNES À COMMANDE DIRECTE AVEC CORPS EN LAITON
 ELECTROVÁLVULAS DE ACCIONAMIENTO DIRECTO CON CUERPO DE LATÓN
 ELETROVÁLVULAS DE ACIONAMENTO DIRETO COM CORPO DE LATÃO

**5. Serie 02A 2/2 NC****ELETTROVALVOLE AD AZIONAMENTO DIRETTO CON CORPO IN OTTONE PER BOBINA ATEX "SERIE Y"**

DIRECT ACTING SOLENOID VALVES WITH BRASS BODY FOR "SERIES Y" ATEX COIL
 MAGNETVENTILE MIT DIREKTER BETÄTIGUNG MIT MESSINGGEHÄUSE FÜR SPULE ATEX "Y-SERIE"
 ELECTROVANNES À COMMANDE DIRECTE AVEC CORPS EN LAITON POUR BOBINE ATEX "SERIE Y"
 ELECTROVÁLVULAS DE ACCIONAMIENTO DIRECTO CON CUERPO DE LATÓN PARA BOBINA ATEX "SERIE Y"
 ELETROVÁLVULAS DE ACIONAMENTO DIRETO COM CORPO DE LATÃO PARA BOBINA ATEX "SERIE Y"

**6. Serie X2F 2/2 NC-NO - 3/2 NC-NO****ELETTROVALVOLE AD AZIONAMENTO DIRETTO CON CORPO IN ACCIAIO INOX 316L**

DIRECT ACTING SOLENOID VALVES WITH STAINLESS STEEL 316L BODY
 DIREKTWIRKENDE MAGNETVENTILE MIT EDELSTAHLGEHÄUSE 316L
 ELECTROVANNES A ACTIONNEMENT DIRECT AVEC CORPS EN ACIER INOX 316L
 ELECTROVÁLVULAS DE ACCIONAMIENTO DIRECTO CON CUERPO EN ACERO INOX 316L
 ELETROVÁLVULAS DE ACIONAMENTO DIRETO COM CORPO EM AÇO-INOX 316L



7. Serie X2A

2/2 NC

ELETTROVALVOLE AD AZIONAMENTO DIRETTO CON CORPO IN ACCIAIO INOX 316L PER BOBINA ATEX "SERIE Y"
 DIRECT ACTING SOLENOID VALVES WITH STAINLESS STEEL 316L BODY FOR "SERIES Y" ATEX COIL
 MAGNETVENTILE MIT DIREKTER BETÄTIGUNG MIT KÖRPER EDELSTAHL 316L FÜR SPULE ATEX "Y-SERIE"
 ELECTROVANNES À COMMANDE DIRECTE AVEC CORPS EN ACIER INOX 316L POUR BOBINE ATEX "SERIE Y"
 ELECTROVÁLVULAS DE ACCIONAMIENTO DIRECTO CON CUERPO DE ACERO INOX 316L PARA BOBINA ATEX "SERIE Y"
 ELETROVÁLVULAS DE ACIONAMENTO DIRETO COM CORPO EM AÇO-INOX 316L PARA BOBINA ATEX "SERIE Y"

ATEX



8. Serie K2F

2/2 NC-NO - 3/2 NC-NO

ELETTROVALVOLE AD AZIONAMENTO DIRETTO CON CORPO IN ACCIAIO INOX 304
 DIRECT ACTING SOLENOID VALVES WITH STAINLESS STEEL 304 BODY
 DIREKTWIRKENDE MAGNETVENTILE MIT EDELSTAHLGEHÄUSE 304
 ELECTROVANNES A ACTIONNEMENT DIRECT AVEC CORPS EN ACIER INOX 304
 ELECTROVÁLVULAS DE ACCIONAMIENTO DIRECTO CON CUERPO EN ACERO INOX 304
 ELETROVÁLVULAS DE ACIONAMENTO DIRETO COM CORPO EM AÇO-INOX 304

Ø 13 mm



9. Serie K2A

2/2 NC

ELETTROVALVOLE AD AZIONAMENTO DIRETTO CON CORPO IN ACCIAIO INOX 304 PER BOBINA ATEX "SERIE Y"
 DIRECT ACTING SOLENOID VALVES WITH STAINLESS STEEL 304 BODY FOR "SERIES Y" ATEX COIL
 MAGNETVENTILE MIT DIREKTER BETÄTIGUNG MIT KÖRPER EDELSTAHL 304 FÜR SPULE ATEX "Y-SERIE"
 ELECTROVANNES À COMMANDE DIRECTE AVEC CORPS EN ACIER INOX 304 POUR BOBINE ATEX "SERIE Y"
 ELECTROVÁLVULAS DE ACCIONAMIENTO DIRECTO CON CUERPO DE ACERO INOX 304 PARA BOBINA ATEX "SERIE Y"
 ELETROVÁLVULAS DE ACIONAMENTO DIRETO COM CORPO EM AÇO-INOX 304 PARA BOBINA ATEX "SERIE Y"

ATEX



10. Serie F2F

2/2 NC-NO - 3/2 NC-NO

ELETTROVALVOLE AD AZIONAMENTO DIRETTO CON FISSAGGIO A FLANGIA E CORPO IN OTTONE CW510L
 DIRECT ACTING SOLENOID VALVES WITH FLANGE FIXING AND BRASS CW510L BODY
 MAGNETVENTILE MIT DIREKTER BETÄTIGUNG FLANSCHBEFESTIGUNG UND MESSINGGEHÄUSE CW510L
 ELECTROVANNES A ACTIONNEMENT DIRECT AVEC FIXATION DE LA BRIDE ET CORPS EN LAITON CW510L
 ELECTROVÁLVULAS DE ACCIONAMIENTO DIRECTO CON FIJACIÓN DE BRIDA Y CUERPO DE LATÓN CW510L
 ELETROVÁLVULAS DE ACIONAMENTO DIRETO COM FIXAÇÃO DE FLANGE E CORPO DE LATÃO CW510L

Ø 13 mm



11. Serie 03F

2/2 NC

ΔP = 0 bar

ELETTROVALVOLE A MEMBRANA GUIDATA CON CORPO IN OTTONE
 GUIDED DIAPHRAGM SOLENOID VALVES WITH BRASS BODY
 GEFÜHRTE MEMBRAN-MAGNETVENTILE MIT MESSINGGEHÄUSE
 ÉLECTROVANNES À MEMBRANE GUIDÉE AVEC CORPS EN LAITON
 ELECTROVÁLVULAS DE MEMBRANA GUIADA CON CUERPO DE LATÓN
 ELETROVÁLVULAS DE MEMBRANA GUIADA COM CORPO DE LATÃO

Ø 13 mm



12. Serie X3F

2/2 NC

ΔP = 0 bar

ELETTROVALVOLE A MEMBRANA GUIDATA CON CORPO IN ACCIAIO INOX AISI 316L
 GUIDED DIAPHRAGM SOLENOID VALVES WITH IN STAINLESS STEEL AISI 316L BODY
 GEFÜHRTE MEMBRAN-MAGNETVENTILE MIT EDELSTAHL AISI 316L
 ÉLECTROVANNES À MEMBRANE GUIDÉE AVEC CORPS EN ACIER INOX AISI 316L
 ELECTROVÁLVULAS DE MEMBRANA GUIADA CON CUERPO EN ACERO INOX AISI 316L
 ELETROVÁLVULAS DE MEMBRANA GUIADA COM CORPO EM AÇO INOX AISI 316L

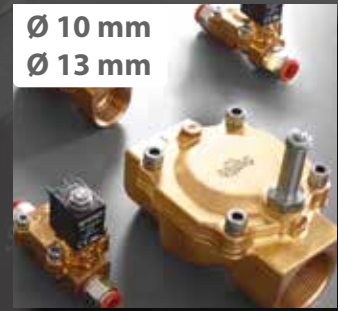
Ø 13 mm



13. Serie 04F 2/2 NC-NO**ELETTROVALVOLE SERVO-AZIONATE CON CORPO IN OTTONE**

SERVO-ASSISTED SOLENOID VALVES WITH BRASS BODY
 SERVO-GESTEUERTE MAGNETVENTILE MIT MESSINGGEHÄUSE
 ÉLECTROVANNES SERVO ASSISTEES AVEC CORPS EN LAITON
 ELECTROVALVULA SERVOACCIONADA CON CUERPO DE LATÓN
 ELETROVÁLVULAS SERVO-PILOTADAS COM CORPO DE LATÃO

Ø 10 mm
 Ø 13 mm

**14. Serie 04A 2/2 NC****ELETTROVALVOLE SERVO-AZIONATE CON CORPO IN OTTONE PER BOBINA ATEX "SERIE Y"**

SERVO-ASSISTED SOLENOID VALVES WITH BRASS BODY FOR "SERIES Y" ATEX COIL
 SERVO-GESTEUERTE MAGNETVENTILE MIT MESSINGGEHÄUSE FÜR SPULE ATEX "Y-SERIE"
 ÉLECTROVANNES SERVO ASSISTEES AVEC CORPS EN LAITON POUR BOBINE ATEX "SERIE Y"
 ELECTROVALVULA SERVOACCIONADA CON CUERPO DE LATÓN PARA BOBINA ATEX "SERIE Y"
 ELETROVÁLVULAS SERVO-PILOTADAS COM CORPO DE LATÃO PARA BOBINA ATEX "SERIE Y"

ATEX

**15. Serie X4F 2/2 NC-NO****ELETTROVALVOLE SERVO-AZIONATE CON CORPO IN ACCIAIO INOX 316L**

SERVO-ASSISTED SOLENOID VALVES WITH STAINLESS STEEL 316L BODY
 SERVO-GESTEUERTE MAGNETVENTILE MIT EDELSTAHLGEHÄUSE 316L
 ÉLECTROVANNES SERVO ASSISTEES AVEC CORPS EN ACIER INOX 316L
 ELECTROVALVULA SERVOACCIONADA CON CUERPO EN ACERO INOX 316L
 ELETROVÁLVULAS SERVO-PILOTADAS COM CORPO EM AÇO-INOX 316L

Ø 10 mm

**16. Serie X4A 2/2 NC****ELETTROVALVOLE SERVO-AZIONATE CON CORPO IN ACCIAIO INOX AISI 316L PER BOBINA ATEX "SERIE Y"**

SERVO-ASSISTED SOLENOID VALVES WITH STAINLESS STEEL 316L BODY FOR "SERIES Y" ATEX COIL
 SERVO-GESTEUERTE MAGNETVENTILE MIT KÖRPER EDELSTAHL AISI 316L FÜR SPULE ATEX "Y-SERIE"
 ÉLECTROVANNES SERVO ASSISTEES AVEC CORPS EN ACIER INOX AISI 316L POUR BOBINE ATEX "SERIE Y"
 ELECTROVALVULA SERVOACCIONADA CON CUERPO EN ACERO INOX AISI 316L PARA BOBINA ATEX "SERIE Y"
 ELETROVÁLVULAS SERVO-PILOTADAS COM CORPO EM AÇO INOX AISI 316L PARA BOBINA ATEX "SERIE Y"

ATEX

**17. Serie 05F 2/2 NC****ELETTROVALVOLE SERVO-AZIONATE A PISTONE CON CORPO IN OTTONE**

PISTON SERVO-ASSISTED SOLENOID VALVES WITH BRASS BODY
 SERVO-GESTEUERTE MAGNETVENTILE MIT KOLBEN MIT MESSINGGEHÄUSE
 ÉLECTROVANNES SERVO ASSISTEES À PISTON AVEC CORPS EN LAITON
 ELECTROVALVULA SERVOACCIONADA DE PISTÓN CON CUERPO DE LATÓN
 ELETROVÁLVULAS SERVO-PILOTADAS DE PISTÃO COM CORPO DE LATÃO

T_{max} +180°C

Ø 13 mm

Per vapore
 For steam
 Für den Dampf
 Pour la vapeur
 Por vapor
 Para vapor

**18. Serie 90975 - 90976 2/2 NC****VALVOLA DI SCARICO CONDENSA**

DRAIN VALVE
 ABLASSVENTIL
 ROBINET DE PURGE DES CONDENSATS
 VÁLVULA DE VACIADO
 VÁLVULA DE DRENAGEM

Ø 13 mm



19. Coils & Connectors

BOBINE E CONNETTORI

COILS AND CONNECTORS

SPULEN UND STECKER

BOBINES ET CONNECTEURS

BOBINAS Y CONECTORES

BOBINAS E CONECTORES



20. Accessories & Solenoid Pilots

RICAMBI E ACCESSORI FLUIDITY - ELETTROPILOTI

FLUIDITY SPARE PARTS AND ACCESSORIES - SOLENOID PILOTS

FLUIDITY ERSATZTEILE UND ZUBEHÖR - ELEKTROPILOTEN

PIÈCES ET ACCESSOIRES FLUIDITY - ÉLECTROPILOTES

RECAMBIOS Y ACCESORIOS FLUIDITY - ELECTROPILOTOS

SOBRESSELENTES E ACESSÓRIOS FLUIDITY - PILOTOS ELÉTRICOS



21. Serie X7F

VALVOLA COASSIALE DI INTERCETTAZIONE

COAXIAL VALVE

PNEUMATISCHES AXIALVENTIL

VANNE COAXIALE

VÁLVULA COAXIAL

VÁLVULA COAXIAL DE INTERCEPTAÇÃO



22. Serie 09F

2/2 NC

VALVOLA A IMPULSI

PULSE VALVE

IMPULSMAGNETVENTIL

ÉLECTROVANNE À IMPULSION

VÁLVULA DE IMPULSE

VÁLVULA DE PULSO



23. Serie X1Y - X2Y

2/2 NC

VALVOLE A SEDE INCLINATA

ANGLE SEAT VALVES

SCHRÄGSITZVENTIL

VANNES À SIÈGE INCLINÉ

VÁLVULAS DE ASIEN TO INCLINADO

VÁLVULAS DE ASSENTO ANGULAR





FLUIDITY

Solenoid valves for fluids

www.aignep.com

Aignep, azienda italiana leader nella produzione di componenti per il controllo dei fluidi, ingegnerizza e produce la gamma di elettrovalvole FLUIDITY per l'utilizzo con fluidi liquidi e gassosi.

Dal design semplice e compatto, le elettrovalvole FLUIDITY sono disponibili nelle versioni 2/2 e 3/2, ad azionamento diretto e servo-azionate, NC e NA, nelle taglie da 1/8" fino a 2" e l'intera gamma è certificata ATEX II 2G/D Ex h.

I corpi sono disponibili in diversi tipi di ottone e Acciaio Inox, con ampia scelta di guarnizioni a seconda della compatibilità con il fluido.




I materiali utilizzati consentono alle elettrovalvole FLUIDITY di essere installate anche in applicazioni alimentari o a contatto con fluidi aggressivi e raggiungere temperature di lavoro da -40°C a +180°C.

Le bobine proposte consentono di ottenere prestazioni elevate e, a richiesta, basso consumo energetico.

Molteplici sono le combinazioni con i nostri raccordi a seconda dell'applicazione e del fluido da gestire.

Oltre ai prodotti standard presenti a catalogo, siamo in grado di realizzare soluzioni customizzate per soddisfare le richieste più esigenti dei nostri Clienti.

Principali vantaggi

- Design semplice, compatto e robusto
- Valvole certificate ATEX II 2G/D Ex h
- Alte pressioni e portate elevate
- Guarnizioni di alta qualità: tenuta perfetta a fronte di un elevato numero di cicli di lavoro
- Bobine in classe H
- Bobine certificate  -  - CSA C22.2 - 
- Tracciabilità dei prodotti
- Disponibilità a magazzino per consegna rapida
- 100% Made in Italy

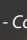
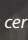

Applicazioni

- Industria alimentare
- Coffee & vending
- Irrigazione
- Processi industriali e Automazione
- Macchine utensili, Taglio laser
- Automotive
- Compressori
- Sistemi di Lavaggio, Idropultrici
- Car wash
- Misting
- Riscaldamento e Refrigerazione
- Medica
- Sterilizzatori
- Vuoto
- Industria Chimica e Petrochimica
- Sistemi antincendio

Applications

- Food industry
- Coffee & vending
- Irrigation
- Industrial Processes and Automation
- Machine tools, Laser cutting
- Automotive
- Compressors
- Industrial washing, pressure washers
- Car wash
- Misting
- Heating and Refrigeration
- Medical
- Sterilizers
- Vacuum
- Chemical and Petrochemical industry
- Fire-fighting systems

Main advantages

- Simple, compact and strong design
- ATEX II 2G / D Ex h certified valves
- High pressures and high flow rates
- High quality gaskets: perfect sealing with high number of working cycles
- Class H coils
- Coils certified  -  - CSA C22.2 - 
- Products traceability
- Stock availability for quick delivery
- 100% Made in Italy

Aignep, Italian company leader in the production of components for fluid controls, designs and manufactures the range of FLUIDITY solenoid valves for the use with liquid and gaseous fluids.

With a simple and compact design, the FLUIDITY solenoid valves are available in 2/2 and 3/2 versions, direct acting and servo-assisted, NC and NO, sizes from 1/8" up to 2" and the whole range is ATEX II 2G/D Ex h certified.

The bodies are available in different types of brass and Stainless Steel, with a wide selection of gaskets depending on the compatibility with the fluid.

The materials used allow the FLUIDITY solenoid valves to be installed also in food applications or in contact with aggressive fluids and reach working temperatures from -40°C to +180°C.

The proposed coils allow to obtain high performances and, on request, low power consumption.

Multiple are the combinations with our fittings depending on the application and the fluid to be managed.

In addition to the standard products in the catalog, we are able to realize customized solutions to satisfy the most demanding requests of our Customers.

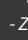


Aignep, ein führendes italienisches Unternehmen in der Herstellung von Komponenten für den Transport und der Steuerung von flüssigen und gasförmigen Medien. Unter dem Produktnamen FLUIDITY entwickelt und fertigt Aignep eine Reihe von Magnetventilen. Die Ventile haben ein einfaches und kompaktes Design und sind in den Versionen 2/2 und 3/2 Wege als direktwirkend und vorgesteuert mit NC und NO, in den Größen von 1/8" bis 2" erhältlich. Die gesamte Produktreihe ist nach ATEX II 2G/D Ex h zertifiziert. Die Gehäuse sind in verschiedenen Messing- und Edelstahl Ausführungen erhältlich, mit einer großen Auswahl an Dichtungen, je nach Kompatibilität mit dem Medium.

Dank der verwendeten Materialien können die FLUIDITY Magnetventile auch in Lebensmittelanwendungen oder in Kontakt mit aggressiven Flüssigkeiten installiert werden und erreichen Betriebstemperaturen von -40°C bis +180°C.

Die Spulen erlauben es hohe Leistungen zu erbringen und speziell auf Anfrage, Spulen mit niedrigem Stromverbrauch einzusetzen.

Die Kombinationen mit unseren Armaturen sind vielfältig und hängen von der Anwendung und der Art de Fluids ab. Zusätzlich zu den Standardprodukten des Katalogs sind wir in der Lage, kundenspezifische Lösungen zu realisieren, um die anspruchsvollsten Anforderungen unserer Kunden zu erfüllen.

Hauptvorteile

- Einfache, kompakte und robuste Konstruktion
- ATEX II 2G / D Ex h zertifizierte Ventile
- Hohe Drücke und hohe Durchflussraten
- Hochwertige Dichtungen: perfekte Abdichtung bei hoher Anzahl von Arbeitszyklen
- Spulen der Klasse H
- Zertifizierte Spulen  -  - CSA C22.2 - 
- Rückverfolgbarkeit der Produkte
- Verfügbarkeit ab Lager für schnelle Lieferung
- 100% in Italien hergestellt

Anwendungen

- Lebensmittelindustrie
- Kaffee und Verkaufsautomaten
- Bewässerung
- Industrielle Prozesse und Automatisierung
- Werkzeugmaschinen, Laserschneiden
- Fahrzeugbau
- Kompressoren
- Industrielles Waschen, Hochdruckreiniger
- Autowäsche
- Nebelungssysteme
- Heizung und Kältetechnik
- Medizintechnik
- Sterilisatoren
- Vakuum
- Chemische und petrochemische Industrie
- Feuerlöschsysteme

Aignep, entreprise italienne leader dans la production de composants de contrôle des fluides, conçoit et fabrique la gamme d'électrovannes FLUIDITY pour utilisation avec des fluides liquides et gazeux.

De conception simple et compacte, les électrovannes FLUIDITY sont disponibles en versions 2/2 et 3/2, par exemple entraînement direct et servocommandé, NC et NO, dans les dimensions de 1/8" à 2". Toute la gamme est certifiée ATEX II 2G/D Ex h.

Les corps sont disponibles en différents types de laiton et en acier inoxydable, avec un large choix de joints en fonction de la compatibilité avec le fluide.

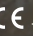

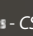

Les matériaux utilisés permettent aux électrovannes FLUIDITY d'être utilisées dans les applications pour le process alimentaire ou en contact avec des fluides agressifs et permet des utilisations à des températures de travail de -40 °C à +180°C.

Les bobines proposées permettent des performances élevées et, sur demande, une faible consommation d'énergie.

Il existe de nombreuses combinaisons avec nos raccords selon l'application et le fluide.

En plus des produits standards du catalogue, nous sommes capable de créer des solutions personnalisées pour satisfaire les demandes les plus exigeantes de nos clients.

Principaux avantages

- Conception simple, compacte et robuste
- Vannes certifiées ATEX II 2G/D Ex h
- Hautes pressions et débits importants
- Joints de haute qualité : parfaite étanchéité avec un nombre élevé de cycles de travail
- Bobines de classe H
- Bobines certifiées  -  -  - 
- Traçabilité des produits
- Disponibilité en stock pour une livraison rapide
- 100% Made in Italy

Applications

- Industrie alimentaire
- Machine à Café professionnelle et distributeurs automatique
- Lubrification
- Procédés Industriels et Automatisation
- Machines-outils, Découpe laser
- Process Automobile
- Compresseurs
- Lavage industriel, nettoyeurs haute pression
- Lavage-Auto
- Brumisation
- Chauffage et Réfrigération
- Médical
- Stérilisateurs
- Vide
- Industrie chimique et pétrochimique
- Systèmes de lutte contre l'incendie

Aignep, empresa italiana líder en la producción de componentes para el control de fluidos, diseña y produce la gama de electroválvulas FLUIDITY para utilizar con fluidos y gases.

De un diseño simple y compacto, las electroválvulas FLUIDITY están disponibles en versiones 2/2 y 3/2, accionamiento directo y servoaccionada, NC y NA, en tamaños de 1/8" hasta 2" y toda la gama está certificada ATEX II 2G/D Ex h.




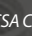
Los cuerpos están disponibles en diferentes tipos de latón y acero inoxidable, con una amplia variedad de juntas dependiendo de la compatibilidad con el fluido.

Los materiales utilizados permiten que las electroválvulas FLUIDITY puedan ser instaladas en aplicaciones para alimentación o en contacto con fluidos agresivos con un rango de temperatura de trabajo de -40°C a +180°C. Las bobinas propuestas permiten obtener prestaciones elevadas y a demanda, bajo consumo energético.

Hay muchas combinaciones posibles con nuestros racores según la aplicación y el fluido a utilizar.

Además de los productos estándar del catálogo, estamos preparados para ofrecer soluciones personalizadas para satisfacer las solicitudes más exigentes de nuestros clientes.

Principales ventajas

- Diseño simple, compacto y robusto
- Válvulas certificadas ATEX II 2G/D Ex h
- Altas presiones y caudales elevados
- Juntas de alta calidad perfectas frente a un elevado número de ciclos de trabajo
- Bobinas clase H
- Bobinas certificadas  -  -  - 
- Trazabilidad del producto
- Disponibilidad en el almacén para una entrega rápida
- 100% Made in Italy

Aplicaciones

- Industria alimentaria
- Coffee & vending
- Riego
- Proceso Industrial y Automatización
- Herramientas de Máquina, Corte Laser
- Automoción
- Compresores
- Sistemas de Lavado, Lavadoras a presión
- Car Wash
- Nebulización
- Calefacción y Refrigeración
- Médico
- Esterilizadores
- Vacío
- Industria Química y Petroquímica
- Sistemas antincendios

A Aignep, empresa italiana líder na produção de componentes para o controle de fluidos, projeta e produz a linha de eletroválvulas FLUIDITY para trabalhar com fluidos líquidos e gasosos. Com design simples e compacto, as eletroválvulas FLUIDITY estão disponíveis nas versões 2/2 e 3/2, com acionamento direto e servo-acionadas, NA e NF, nos tamanhos de 1/8" até 2". Toda a linha Fluidity é certificada ATEX II 2G/D Ex h.





Os corpos das válvulas estão disponíveis em Latão e Aço Inoxidável, com várias opções de vedação de acordo com a compatibilidade do fluido utilizado.

Os materiais utilizados na fabricação das válvulas permitem que as eletroválvulas FLUIDITY sejam usadas também em aplicações alimentícias e estejam em contato com fluidos agressivos além de permitir temperaturas de trabalho de -40°C a +180°C.

As bobinas oferecidas permitem que sejam obtidas altas performances e, sob encomenda, baixo consumo energético.

Múltiplas são as combinações possíveis com as nossas conexões, de acordo com a aplicação e do fluido de trabalho. Além dos produtos standard presentes no catálogo, podemos também desenvolver soluções customizadas para satisfazer as solicitações mais exigentes dos nossos clientes.

Principais vantagens

- Design simples, compacto e robusto
- Válvulas certificadas ATEX II 2G/D Ex h
- Altas pressões e vazões elevadas
- Vedações de alta qualidade: vedação perfeita com um elevado número de ciclos de trabalho
- Bobinas de classe H
- Bobinas certificadas  -  -  - 
- Rastreabilidade dos produtos
- Disponibilidade de estoque para entrega rápida
- 100% Made in Italy

Aplicações

- Indústria alimentícia
- Café & vending machines
- Irrigação
- Processos industriais e Automação
- Máquinas-ferramenta, Corte laser
- Automotiva
- Compressores
- Sistemas de Lavagem, Lavadores a pressão
- Lavadoras de carros
- Nebulização
- Resfriamento e Refrigeração
- Medicinal
- Esterilizadores
- Vácuo
- Indústria Química e Petroquímica
- Sistemas anti-incêndio



ELETTROVALVOLE PER FLUIDI
SOLENOID VALVES FOR FLUIDS
MAGNETVENTILE FÜR FLÜSSIGKEITEN
ELECTROVANNES POUR FLUIDES
ELECTROVÁLVULAS PARA FLUIDOS
ELETROVÁLVULAS PARA FLUIDOS



Serie Fluidity

COME LEGGERE IL CATALOGO FLUIDITY
 HOW TO READ THE FLUIDITY CATALOG
 ENTDECKEN SIE UNSEREN KATALOG FLUIDITY
 COMMENT LIRE LE CATALOGUE FLUIDITY
 CÓMO LEER EL CATÁLOGO FLUIDITY
 COMO LER O CATÁLOGO FLUIDITY

Introduzione al catalogo

IT

Il catalogo Fluidity include tutte le famiglie di elettrovalvole per il controllo dei fluidi presenti nella gamma di prodotti Aignep. All'interno del catalogo il Cliente può servirsi di contenuti tecnici, informazioni, tabelle e formule nelle pagine introduttive, mentre per ogni serie vengono proposte la presentazione del prodotto, caratteristiche tecniche, certificazioni, opzioni disponibili e prestazioni migliorate. Il tutto disponibile in sei lingue diverse. Nell'ottica di voler offrire servizio e supporto sempre più eccellenti ai propri Clienti, Aignep si riserva il diritto di apportare modifiche al catalogo per migliorarne prodotti e contenuti e consiglia di contattare il supporto tecnico per qualsiasi chiarimento necessario.

Introduction to the catalog

GB

The Fluidity catalog includes all the families of solenoid valves for fluid controls available in the Aignep product range. In the catalog, the Customer can find technical content, information, tables and formulas in the introduction pages, whereas for each individual serie, a product presentation is proposed including, technical features, certifications, available options and improved performances. Everything is available in six different languages. In order to offer an increasingly excellent service and support to its Customers, Aignep reserves the right to make changes to the catalog to improve products and contents, and recommends to contact the technical support for any necessary clarification.

Einführung Katalog

DE

Der Fluidity-Katalog enthält alle Magnetventil-Familien für die Steuerung von Medien, die in der Produktpalette von Aignep verfügbar sind. Im Katalog findet der Kunde den technischen Inhalt, Informationen, Tabellen und Formeln. Während für jede Serie die Präsentation des Produkts, die technischen Produkt, technische Merkmale, Zertifizierungen, verfügbare Ausführung und verbesserte Leistungen in den Einführungsseiten zu finden sind. Die Dokumentation ist in sechs Sprachen verfügbar. Um unseren Kunden einen immer besseren Service und Support bieten zu können, behält sich Aignep das Recht vor, Änderungen am Katalog vor zu nehmen, um Produkte und Inhalte zu verbessern. Bei Unklarheiten empfehlen wir den technischen Support zur Klärung zu kontaktieren.

Introduction au catalogue

FR

Le catalogue Fluidity regroupe toutes les familles d'électrovannes pour la maîtrise des fluides présentes dans la gamme de produits Aignep. Dans le catalogue, le Client peut utiliser le contenu technique, informations, tableaux et formules sur les pages d'introduction, tandis que pour chaque série, il est proposé la présentation du produit, les caractéristiques techniques, certifications, options disponibles et performances améliorées. Le tout disponible en six langues différentes. Dans le but d'apporter toujours le meilleur service à ses clients, Aignep se réserve le droit d'apporter des modifications au catalogue suivant les améliorations des produits et recommande de contacter le support technique pour tout renseignement nécessaire.

Introducción al catálogo

ES

El catálogo Fluidity incluye todas las familias de electroválvulas para el control de los fluidos presentes en la gama de productos Aignep. Dentro del catálogo el cliente puede servirse del contenido técnico, información, tablas y fórmulas en las páginas iniciales, mientras que para cada serie se propone la presentación del producto, características técnicas, certificaciones, opciones disponibles y rendimiento mejorado. Todo disponible en seis idiomas diferentes. Con el fin de ofrecer un mejor servicio y soporte a nuestros clientes, Aignep se reserva el derecho de aportar modificaciones al catálogo para la mejora del producto y contenidos, y recomienda contactar con el soporte técnico para cualquier aclaración necesaria.

Introdução ao catálogo

PT

O catálogo Fluidity inclui todas as famílias de eletroválvulas para controle dos fluidos presentes na gama de produtos Aignep. No interior do catálogo o Cliente pode aproveitar de conteúdos técnicos, informações, tabelas e fórmulas nas páginas de introdução, que são mostradas entre cada série. A apresentação do produto, características técnicas, certificações, opções disponíveis e performances melhoradas. Tudo está disponível em seis linguas diferentes. Visando oferecer serviço e suporte sempre com mais excelência aos próprios Clientes, a Aignep se reserva no direito de atualizar e modificar o catálogo para melhorar produtos e conteúdos e aconselha que se contacte o suporte técnico para qualquer esclarecimento que se faça necessário.

FLUIDS	BODY MATERIAL		SEALS			
	Brass	Stainless Steel AISI 316L	NBR	EPDM	FKM	
Acetone - Acetone - Aceton - Acetone - Acétoe - Acetone	•	•	•	•	•	
Acetylene - Acetilene - Ethin - Acétylène - Acetileno - Acetileno	•	•	•	•	•	
Argon	•	•	•	•	•	
Benzene - Benzene - Benzol - Benzène - Benzeno - Benzeno	•	•	•	•	•	
Butane - Butano - n-Butan - Butane - Butano - Butano	•	•	•	•	•	
Carbon dioxide dry (gas) - Anidride carbonica - Kohlendioxid trocken - dioxide de carboné à sec - dióxido de carbonó seco	•	•	•	•	•	
Carbon dioxide dry (liquid) - Anidride carbonica - Kohlendioxid trocken - dioxide de carboné à sec - dióxido de carbonó seco	•	•	•	•	•	
Carbon disulfide - Solfuro di carbonio - Kohlenstoffdisulfid - Disulfure de carbone - Sulfuro de carbonio - Disulfeto de carbonó	•	•	•	•	•	
Chloroform (100%) - Clorofórmio - Chloroform - Chloroforme - Cloroformo - Clorofórmio	•	•	•	•	•	
Diesel fuel	•	•	•	•	•	
Helium - Elio - Helium - Héllium - Helio - Hélio	•	•	•	•	•	
Ethane - Etano - Ethan - Éthane - Etano - Etano	•	•	•	•	•	
Ethanol - Etanolo - Ethanol - Éthanol - Etanol - Etanol	•	•	•	•	•	
Ethyl acetate - Acetato di etile - Essigsäureethylester - Acétate d'éthyle - Etanoato de etilo - Acetato de etila	•	•	•	•	•	
Ethyl chloride - Cloruro di etile - Ethyl-Chlorid - Chlorure d'éthyle - Cloruro de etilo - Cloroeto de etilo	•	•	•	•	•	
Ethylene glycol - Etilen glikol - Ethylene glycol - Éthylène glycol - Etileno glicol - Etileno glicol	•	•	•	•	•	

TABELLA DI CONVERSIONE DEI VALORI DI TEMPERATURA
 TEMPERATURE VALUES CONVERSION TABLE
 UMRECHNUNGSTABELLE DER TEMPERATURWERTE
 TABLEAU DE CONVERSION DES VALEURS DE TEMPERATURE
 TABLA DE CONVERSIÓN DE VALORES DE TEMPERATURA
 TABELA DE CONVERSIÓN DE VALORES DE TEMPERATURA

°C	°F	K	°C	°F	K	°C	°F	K
-40	-40	233.15	40	104	313.15	140	284	413.15
-35	-31	238.15	45	113	318.15	150	302	423.15
-30	-22	243.15	50	122	323.15	160	320	433.15
-25	-13	248.15	55	131	328.15	170	338	443.15
-20	-4	253.15	60	140	333.15	180	356	453.15
-15	5	258.15	65	149	338.15	190	374	463.15
-10	14	263.15	70	158	343.15	200	392	473.15
-5	23	268.15	75	167	348.15	220	428	493.15
0	32	273.15	80	176	353.15	240	464	513.15
5	41	278.15	85	185	358.15	260	500	533.15
10	50	283.15	90	194	363.15	280	536	553.15
15	59	288.15	95	203	368.15	300	572	573.15
20	68	293.15	100	212	373.15	350	662	623.15
25	77	298.15	110	230	383.15	400	752	673.15
30	86	303.15	120	248	393.15	450	842	723.15
35	95	308.15	130	266	403.15	500	932	773.15

Fluidi Fluids Flüssigkeiten Fluides Fluidos Fluidos		Formule Formulas Formeln Formules Fórmulas Fórmulas
Liquidi Liquids Flüssigkeiten Liquidos Líquidos Líquidos	$Q = Kv * \sqrt{\frac{\Delta p}{\rho}}$	
Gas Gases Gas Gaz Gas Gases	$\Delta p < \frac{P_1}{2} \rightarrow Q_n = 514 * Kv * \sqrt{\frac{\Delta p * P_2}{\rho_n * (273+T)}}$	$\Delta p > \frac{P_1}{2} \rightarrow Q_n = 257 * Kv * \sqrt{\frac{P_1}{\rho_n * (273+T)}}$
Aria Air Luft Air Aire Ar	$\Delta p < \frac{P_1}{2} \rightarrow Q_n = 26 * Kv * \sqrt{\Delta p * P_2}$	$\Delta p > \frac{P_1}{2} \rightarrow Q_n = Kv * P_1 * 13$
Vapore Steam Dampf Vapeur Vapor Vapor	$\Delta p < \frac{P_1}{2} \rightarrow G = 31.6 * Kv * \sqrt{\frac{\Delta p}{V_2}}$	$\Delta p > \frac{P_1}{2} \rightarrow G = 31.6 * Kv * \sqrt{\frac{P_1}{V_1}}$

Sezione bobine

IT

Ogni valvola prevede l'utilizzo di determinate tipologie di bobine, come indicato per ciascuna serie.
Le pagine relative ad ogni serie bobina riportano le seguenti informazioni:

- 11 Famiglia prodotto con nuova nomenclatura, disegno in sezione e dimensionale della bobina.
- 12 Tabella codici bobine con le principali caratteristiche tecniche: tensioni di alimentazione disponibili, potenze standard, tolleranze e temperatura ambiente.
- 13 Informazioni tecniche generiche e opzioni su richiesta.
- 14 Taglia bobina, diametro operatore e servizio ED.
- 15 Certificazioni standard.
- 16 Nuovo riferimento a 2 digit e relativo codice bobina.

Coil section

GB

Each valve requires the use of certain types of coils, as indicated for each series.
The pages related to each coil series contain the following information:

- 11 Product family with new nomenclature, coil sectional and dimensional drawing.
- 12 Coil codes table with the main technical features: available voltages supply, standard powers, tolerances and ambient temperature.
- 13 General technical information and options on request.
- 14 Coil size, operator diameter and ED service.
- 15 Standard certifications.
- 16 New reference with 2 digits and related coil code.

Bereich Magnetspulen

DE

Jedes Ventil erfordert die Verwendung bestimmter Spulentypen, die entsprechend für jede Serie angegeben sind.
Die Seiten enthalten die nachfolgenden Informationen:

- 11 Produktfamilie mit neuer Nomenklatur, Spulenquerschnitt und Maßzeichnung.
- 12 Tabelle der Spulencodes mit den wichtigsten technischen Merkmalen: Verfügbare Versorgungsspannungen, Standardleistungen, Toleranzen und Umgebungstemperatur.
- 13 Allgemeine technische Informationen und Ausführung auf Anfrage.
- 14 Spulengröße, Antriebsdurchmesser und ED-Betrieb.
- 15 Standard-Zertifizierungen.
- 16 Neue Referenz mit 2 Ziffern und relativem Spulencode.

Partie bobine

FR

Chaque vanne nécessite l'utilisation de certains types de bobines, comme indiquée dans chaque série.
Les pages relatives à chaque série de bobines contiennent les informations suivantes:

- 11 Famille de produits avec nouvelle nomenclature et dimensions de la bobine.
- 12 Tableau des codes des bobines avec les principales caractéristiques techniques: tensions d'alimentation disponibles, puissances standards, tolérances et température ambiante.
- 13 Informations techniques générales et options sur demande.
- 14 Taille de bobine, diamètre de l'opérateur et service ED.
- 15 Certifications standards.
- 16 Nouvelle référence à 2 chiffres et code bobine relatif.

Sección bobina

ES

Cada válvula requiere el uso de ciertos tipos de bobinas según se indica para cada serie.
Las páginas relativas a cada tipo de bobinas muestran la siguiente información:

- 11 Familia de productos con nueva nomenclatura, dibujo de sección y dimensional de la bobina.
- 12 Tabla de códigos de las bobinas con las principales características técnicas: tensiones de alimentación disponibles, potencia estándar, tolerancia y temperatura ambiente.
- 13 Información técnica general y opciones bajo pedido.
- 14 Talla de la bobina, diámetro del operador y servicio ED.
- 15 Certificaciones estándar.
- 16 Nueva referencia con 2 dígitos y código de bobina relativo.

Seção bobinas

PT

Cada válvula prevê a utilização de determinadas tipologias de bobinas, como indicado para cada série.
As páginas relativas a cada série de bobina trazem as seguintes informações:

- 11 Família de produto com nova nomenclatura, desenho em seção e dimensional da bobina.
- 12 Tabela de código das bobinas com as principais características técnicas: tensões de alimentação disponíveis, potência padrão, tolerância e temperatura ambiente.
- 13 Informações técnicas genéricas e opções sob encomenda.
- 14 Tamanho da bobina, diâmetro de operador e serviço ED.
- 15 Certificação standard.
- 16 Nova referência com 2 dígitos e código relativo da bobina.

AIGNEP **Serie A**

SERIE A **BOBINA 11**

COIL SPULE BOBINE BOBINA SOLENOIDE

22 mm

10 mm

ED 100%

CE
C **RU** **US**
UL 429 & CSA C22.2 NO. 139-13

Riferimento	Codice	Tensione	Potenza	Tolleranza di tensione	Temperatura ambiente
Reference	Code	Voltage	Power	Voltage tolerance	Ambient temperature
Reference	Code	Leistung	Leistang	Toleranz der Leistung	Umgebungstemperatur
Reference	Code	Tension	Puissance	Tolérance de la tension	Température ambiante
Reference	Code	Tensão	Potência	Tolerância de tensão	Temperatura Ambiente
AA	SOL10012C4000	12V DC	6.5 W	±10%	-10 °C +80 °C
AB	SOL10024C4000	24V DC	6.5 W	±10%	-10 °C +80 °C
A1	SOL10024A8000	24V AC / 50-60 Hz	7.5 VA	±10%	-10 °C +80 °C
A2	SOL10110A8000	110V AC / 50-60 Hz	7.5 VA	±10%	-10 °C +80 °C
A3	SOL10220A8000	220V AC / 50-60 Hz	7.5 VA	±10%	-10 °C +80 °C

CLASSE DI ISOLAMENTO
INSULATION CLASS
ISOLIERSTOFFKLASSE
CLASSE D'ISOLATION
CLASE DE AISLAMIENTO
CLASSE DE ISOLAMENTO

H
EN 60085

MATERIALE INCAPSULAMENTO
ENCAPSULATION MATERIAL
VERGÜSSMASSE
MATERIAU EXTÉRIEUR
MATERIAL DE ENCAPSULAMENTO
MATERIAL DE ENCAPSULAMENTO

RYNITE®

CONNESSIONI ELETTRICHE
ELECTRICAL CONNECTIONS
ELEKTRISCHE ANSCHLÜSSE
CONEXIONES ELÉCTRICAS
CONEXIÓN ELÉCTRICA
CONEXÕES ELÉTRICAS

FORM B
EN 175301-803
(EX DIN 43650)

GRADO DI PROTEZIONE
PROTECTION DEGREE
SCHUTZART
DEGRÉ DE PROTECTION
GRADO DE PROTECCIÓN
GRAU DE PROTECCIÓN

IP65
IEC 60529

Con connettore IP65
with connector IP65
Mit Stecker IP65
Avec connecteur IP65
Com conector IP65

Altre tensioni/potenze su richiesta - Grado di protezione IP67 su richiesta
Other voltages/powers on request - IP67 protection degree on request
Andere Spannungswerte/Leistungen auf Anfrage - Schutzart IP67 auf Anfrage
Autres tensions/puissances sur demande - Indice de Protection IP67 sur demande
Otras tensiones/potencias bajo pedido - Grado de protección IP67 bajo pedido
Outras tensões/potências sob encomenda - Grau de proteção IP67 sob encomenda

19.2

AIGNEP **Serie B**

SERIE B **BOBINA 14**

COIL SPULE BOBINE BOBINA SOLENOIDE

30 mm

10 mm

ED 100%

CE
C **RU** **US**
UL 429 & CSA C22.2 NO. 139-13

Riferimento	Codice	Tensione	Potenza	Tolleranza di tensione	Temperatura ambiente
Reference	Code	Voltage	Function	Voltage tolerance	Ambient temperature
Reference	Code	Leistung	Leistang	Toleranz der Leistung	Umgebungstemperatur
Reference	Code	Tension	Puissance	Tolérance de la tension	Température ambiante
Reference	Code	Tensão	Potência	Tolerância de tensão	Temperatura Ambiente
BA	SOL11012C5000	12V DC	8 W	±10%	-10 °C +80 °C
BB	SOL11024C5000	24V DC	8 W	±10%	-10 °C +80 °C
B1	SOL11024A9000	24V AC / 50-60 Hz	11 VA	±10%	-10 °C +80 °C
B2	SOL11110A9000	110V AC / 50-60 Hz	11 VA	±10%	-10 °C +80 °C
B3	SOL11220A9000	220V AC / 50-60 Hz	11 VA	±10%	-10 °C +80 °C

CLASSE DI ISOLAMENTO
INSULATION CLASS
ISOLIERSTOFFKLASSE
CLASSE D'ISOLATION
CLASE DE AISLAMIENTO
CLASSE DE ISOLAMENTO

H
EN 60085

MATERIALE INCAPSULAMENTO
ENCAPSULATION MATERIAL
VERGÜSSMASSE
MATERIAU EXTÉRIEUR
MATERIAL DE ENCAPSULAMENTO
MATERIAL DE ENCAPSULAMENTO

RYNITE®

CONNESSIONI ELETTRICHE
ELECTRICAL CONNECTIONS
ELEKTRISCHE ANSCHLÜSSE
CONEXIONES ELÉCTRICAS
CONEXIÓN ELÉCTRICA
CONEXÕES ELÉTRICAS

FORM A
EN 175301-803
(EX DIN 43650)

GRADO DI PROTEZIONE
PROTECTION DEGREE
SCHUTZART
DEGRÉ DE PROTECTION
GRADO DE PROTECCIÓN
GRAU DE PROTECCIÓN

IP65
IEC 60529

Con connettore IP65
with connector IP65
Mit Stecker IP65
Avec connecteur IP65
Com conector IP65

Altre tensioni/potenze su richiesta - Grado di protezione IP67 su richiesta
Other voltages/powers on request - IP67 protection degree on request
Andere Spannungswerte/Leistungen auf Anfrage - Schutzart IP67 auf Anfrage
Autres tensions/puissances sur demande - Indice de Protection IP67 sur demande
Otras tensiones/potencias bajo pedido - Grado de protección IP67 bajo pedido
Outras tensões/potências sob encomenda - Grau de proteção IP67 sob encomenda

19.3



Introduzione e funzionamento

IT

Per elettrovalvola si intende un dispositivo elettromeccanico che permette il passaggio di un fluido, gassoso o liquido, attraverso un orificio presente nel corpo valvola.
L'apertura o la chiusura del orificio principale, sia esso comandato direttamente o indirettamente, avviene tramite il nucleo mobile che si aziona mediante il campo magnetico generato dal solenoide.

Introduction and function

GB

Solenoid valves are electromechanical devices which allow a fluid, either gaseous or liquid, to flow through an orifice inside the valve body.
The opening or closing of the main orifice, whether controlled directly or indirectly, takes place via the mobile plunger which is activated by the magnetic field generated by the coil.

Einführung und Funktionsweise

DE

Magnetventile sind elektromechanische Vorrichtungen, die den Durchfluss eines gasförmigen oder flüssigen Mediums durch eine Öffnung im Inneren des Ventilgehäuses ermöglichen.
Das Öffnen oder Schließen der Hauptöffnung, ob direkt oder indirekt gesteuert, erfolgt über den beweglichen Stößel, der durch das von der Spule erzeugte Magnetfeld aktiviert wird.

Introduction et fonctionnement

FR

Par électrovanne, on entend un appareil électromécanique qui permet le passage d'un fluide, gazeux ou liquide, par un orifice présent dans le corps de la vanne.
L'ouverture ou la fermeture de l'orifice principal, commandée directement ou indirectement, a lieu à travers le noyau mobile qui est activé par le champ magnétique généré par la bobine.

Introducción y funcionamiento

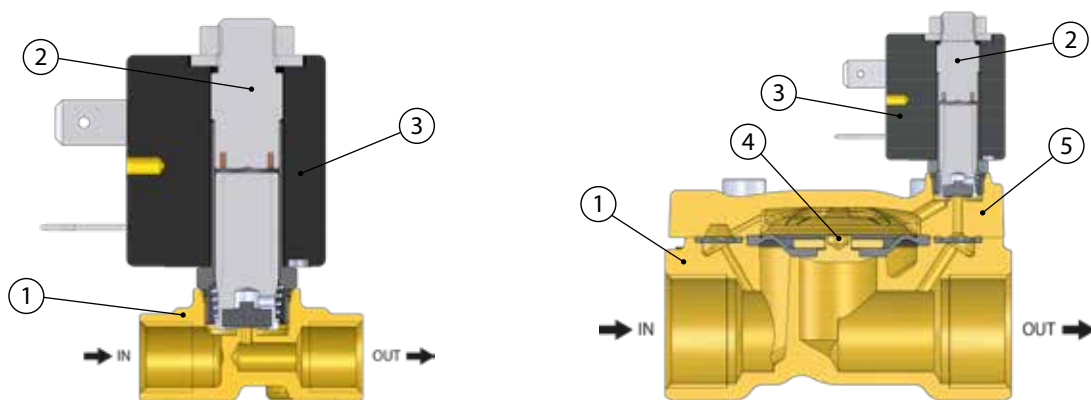
ES

Por electroválvula se entiende un dispositivo electromecánico que permite el paso de un fluido, gaseoso o líquido, a través de un orificio presente en el cuerpo de la válvula.
La apertura o cierre del orificio principal, ya sea comandada directa o indirectamente, tiene lugar a través del núcleo móvil que es activado por el campo magnético generado por el solenoide.

Introdução e funcionamento

PT

Por eletroválvula, entende-se um dispositivo eletromecânico que permite a passagem de um fluido, gasoso ou líquido, através de um orifício presente no corpo de uma válvula.
A abertura ou o fechamento do orifício principal, seja este comandado direta ou indiretamente, é feita através de um núcleo móvel que é acionado pelo campo magnético gerado pela bobina solenoide.



Elementi tecnico-costruttivi

IT

Le elettrovalvole sono composte da:
1 Corpo valvola, nel quale si trova l'orificio principale e le connessioni di ingresso ed uscita alla linea.
2 Kit operatore, composto da tubo guida (che alloggia il nucleo fisso) e nucleo mobile (che alloggia l'otturatore). Generando il campo magnetico, il nucleo mobile scorre all'interno del tubo guida consentendo l'apertura o la chiusura dell'orificio principale o dell'orificio pilota o dello scarico (nel caso di valvole a 3-vie).
3 Bobina o solenoide, la quale genera il campo magnetico che serve per attivare il nucleo mobile.
4 Membrana o pistone (solo per valvole servo-azionate), che permette l'apertura o la chiusura dell'orificio principale.
5 Coperchio (solo per valvole servo-azionate), il quale ha la funzione di alloggiare l'operatore ed essere fissato sul corpo per consentire al fluido lo scorrimento all'interno della valvola.

Technical elements and terminology

GB

The solenoid valves are composed by:
1 Valve body, in which there is the main orifice and the inlet/outlet connections to the line.
2 Operator kit, composed by an armature tube (which houses the fixed core) and mobile core (which houses the shutter).
Generating the magnetic field, the mobile plunger slides inside the armature tube allowing the opening or closing of the main orifice or the pilot orifice or the exhaust (in the case of a 3-way valves).
3 Coil or solenoid, which generates the magnetic field needed to activate the mobile plunger.
4 Diaphragm or piston (for servo-assisted valves only), which allows the opening or closing of the main orifice.
5 Cover (for servo-assisted valves only), which has the function of housing the operator kit and being installed on the body to allow the fluid to flow inside the valve.

Technische und konstruktive Elemente

DE

Die Magnetventile bestehen aus:
1 Ventilkörper, in dem sich die Hauptöffnung und der Anschlüsse für die Rohrleitung befinden.
2 Antriebsatz, bestehend aus einem Ankerrohr (in dem der feste Kern untergebracht ist) und einem beweglichen Kern (in dem der Schieber untergebracht ist).
Durch die Erzeugung des Magnetfelds gleitet der bewegliche Kern im Ankerrohr und ermöglicht das Öffnen oder Schließen der Haupt- oder Vorsteueröffnung oder des Auslasses (bei 3-Wege-Ventilen).
3 Spule oder Magnetspule, die das für die Betätigung des beweglichen Ankers erforderliche Magnetfeld erzeugt.
4 Membran oder Kolben (nur bei vorgesteuerten Ventilen), der das Öffnen oder Schließen der Hauptdüse ermöglicht.
5 Deckel (nur bei vorgesteuerten Ventilen), der die Aufgabe hat, das Bedienungs-kit zu beherbergen und auf dem Gehäuse installiert wird, um den Durchfluss der Flüssigkeit im Inneren des Ventils zu ermöglichen.

Éléments techniques et terminologie

FR

Les électrovannes sont constituées de:
1 Corps de vanne, dans lequel se trouve l'orifice principal et les raccords d'entrée et de sortie à la ligne.
2 Kit opérateur, composé d'un tube de guidage (qui abrite le noyau fixe) et noyau mobile (qui abrite l'obturateur).
En générant le champ magnétique, le piston se déplace à l'intérieur du tube de guidage permettant l'ouverture ou la fermeture du passage principal ou de l'orifice pilote ou de l'échappement (dans le cas de vannes 3 voies).
3 Bobine ou solénoïde, qui génère le champ magnétique qui sert à activer le noyau mobile.
4 Membrane ou piston (uniquement pour les vannes servocommandées), permet l'ouverture ou la fermeture de l'orifice principal.
5 Couvercle (uniquement pour les vannes servo commandées) qui a la fonction de loger l'opérateur et d'être fixé sur le corps pour permettre au fluide de s'écouler à l'intérieur de la soupape.

Elementos técnico-constructivos

ES

La electroválvula está compuesta de:
1 Cuerpo de la válvula en el cual se encuentra el orificio principal y las conexiones de entrada y salida a la línea.
2 Kit operador, compuesto de tubo guía (que aloja el núcleo fijo) y núcleo móvil (que aloja el obturador). Al generar el campo magnético, el núcleo móvil sube y baja por el interior del tubo guía permitiendo la apertura o cierre del orificio principal, o el escape (en el caso de las válvulas de 3 vías).
3 Bobina o solenoide, la cual genera el campo magnético que sirve para activar el núcleo móvil.
4 Membrana o pistón (solo para válvulas servoaccionadas) que permite la apertura o cierre del orificio principal.
5 Tapa (sólo para válvulas servoaccionadas), que tiene la función de alojar al operador y ser fijado en el cuerpo para permitir que el fluido circule por la válvula.

Elementos técnico-constructivos

PT

As eletroválvulas são compostas por:
1 Corpo da válvula, na qual se encontra o orifício principal e as conexões de entrada e saída para a linha.
2 Kit do operador, composto do tubo guia (que aloja o núcleo fixo) e núcleo móvel (que aloja o obturador). Gerando o campo magnético, o núcleo móvel desliza no interior do tubo guia permitindo a abertura ou o fechamento do orifício principal, do orifício de pilotagem ou do escape (no caso de válvulas de 3-vias).
3 Bobina ou solenoide, a qual gera o campo magnético que serve para ativar o núcleo móvel.
4 Membrana ou pistão (só para válvulas servo-acionadas), que permite a abertura ou o fechamento do orifício principal.
5 Cobertura (só para válvulas servo-acionadas), a qual tem a função de alojar o operador e ser fixada no corpo para permitir ao fluido a passagem pelo interior da válvula.



Tipologia di elettrovalvole	IT	Solenoid valve types	GB	Magnetventil Typen	DE
1 Azionamento diretto - 2/2 e 3/2 2 Servo-azionate - 2/2 3 Membrana guidata $\Delta p = 0$ bar - 2/2		1 Direct acting - 2/2 and 3/2 2 Servo-assisted - 2/2 3 Guided diaphragm $\Delta p = 0$ bar - 2/2		1 Direktwirkend - 2/2 und 3/2 2 Servounterstützt - 2/2 3 Geführte membran $\Delta p = 0$ bar - 2/2	
Type d'électrovannes	FR	Versión de la electroválvula	ES	Versões da válvula solenóide	PT
1 Actionnement direct - 2/2 et 3/2 2 Servo-assisté - 2/2 3 Membrane guidée $\Delta p = 0$ bar - 2/2		1 Accionamiento directo - 2/2 y 3/2 2 Servoaccionada - 2/2 3 Membrana guiada $\Delta p = 0$ bar - 2/2		1 Acionamento direto - 2/2 e 3/2 2 Servo-acionada - 2/2 3 Membrana guiada $\Delta p = 0$ bar - 2/2	

ELETTROVALVOLE AD AZIONAMENTO DIRETTO 1
 DIRECT ACTING SOLENOID VALVES
 MAGNEVENTILE MIT DIREKTER BETÄTIGUNG
 ELECTROVANNES A ACTIONNEMENT DIRECT
 ELECTROVÁLVULAS DE ACCIONAMIENTO DIRECTO
 ELETTROVÁLVULA DE ACIONAMENTO DIRETO

2/2 NC - NO
3/2 NC - NO - U

ELETTROVALVOLE SERVO-AZIONATE 2
 SERVO-ASSISTED SOLENOID VALVES
 MAGNEVENTILE SERVOGESTEUERTES
 ÉLECTROVANNES SERVO ASSISTÉES
 ELECTROVÁLVULA SERVOACCIONADA
 ELETTROVÁLVULAS SERVO-PILOTADAS

2/2 NC - NO

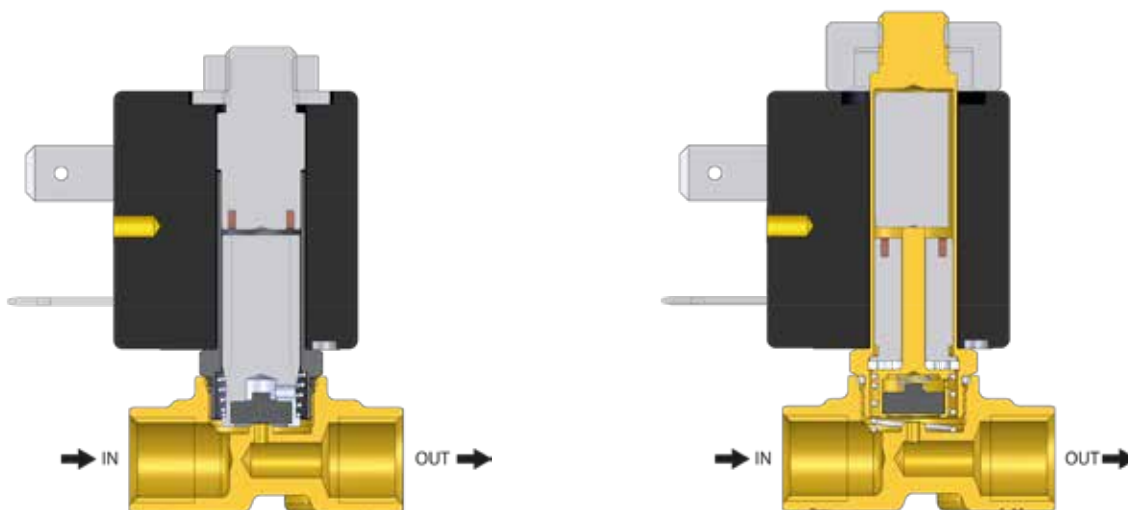
ELETTROVALVOLE A MEMBRANA GUIDATA $\Delta p = 0$ bar 3
 GUIDED DIAPHRAGM SOLENOID VALVES $\Delta p = 0$ bar
 GEFÜHRTE MEMBRAN-MAGNETVENTILE $\Delta p = 0$ bar
 ÉLECTROVANNES À MEMBRANE GUIDÉE $\Delta p = 0$ bar
 ELECTROVÁLVULAS DE MEMBRANA GUIADA $\Delta p = 0$ bar
 ELETTROVÁLVULAS DE MEMBRANA GUIADA $\Delta p = 0$ bar

2/2 NC

ELETTROVALVOLE AD AZIONAMENTO DIRETTO

DIRECT ACTING SOLENOID VALVES
 MAGNETVENTILE MIT DIREKTER BETÄTIGUNG
 ELECTROVANNES A ACTIONNEMENT DIRECT
 ELECTROVÁLVULAS DE ACCIONAMIENTO DIRECTO
 ELETRÓVÁLVULAS DE ACIONAMENTO DIRETO

2/2



Azionamento diretto 2/2 - NC e NA **IT**

Nelle elettrovalvole ad azionamento diretto 2/2-vie, disponibili nelle versioni Normalmente Chiuse o Normalmente Aperte, il nucleo mobile apre o chiude direttamente l'orifizio principale della valvola. Questa tipologia di valvole funziona anche con minima OPD zero bar sino ad una max OPD che varia a seconda del modello e della potenza della bobina. Il funzionamento, in entrambi i casi (NC o NA), è determinato dal campo magnetico prodotto dal passaggio della corrente nella bobina.

Direct acting 2/2 - NC and NO **GB**

In the 2/2-way direct acting solenoid valves, available in Normally Closed or Normally Open versions, the mobile plunger opens or closes the main orifice of the valve. These type of valves work also with a minimum OPD zero bar up to a maximum OPD which varies according to the model and the power of the coil. In both cases (NC or NO), the functioning is determined by the magnetic field generated by the current in the coil.

Direkte Betätigung 2/2 - NC und NO **DE**

Bei den direktwirkenden 2/2-Wege-Magnetventilen, die in den Ausführungen "stromlos geschlossen" oder "stromlos offen" erhältlich sind, öffnet oder schließt der bewegliche Tauchanker die Hauptöffnung des Ventils. Diese Art von Ventilen funktioniert auch mit einem Mindest-OPD von null bar bis zu einem maximalen OPD, der je nach Modell und Leistung der Spule variiert. In beiden Fällen, (NC oder NO), wird die Funktion durch das Magnetfeld bestimmt, das durch den Strom in der Spule erzeugt wird.

Actionnement direct 2/2 - NC and NO **FR**

Dans les électrovannes à actionnement direct 2/2, disponibles en Versions Normalement Fermé ou Normalement Ouvert, le piston mobile ouvre ou ferme l'orifice principal de la vanne. Ce type de vanne fonctionne également avec un minimum d'OPD zéro bar jusqu'à un OPD maximum qui varie en fonction du type et de la puissance de la bobine. Dans les deux cas (NC ou NO), le fonctionnement est déterminé par le champ magnétique généré par le courant dans la bobine.

Accionamiento directo 2/2 - NC y NO **ES**

En las electroválvulas de accionamiento directo 2/2 vías, disponible en Versiones Normalemente Cerrada y Normalemente Abierta, el núcleo móvil abre o cierra directamente el orificio principal de la válvula. Este tipo de válvulas trabajan también con OPD cero hasta un OPD máximo que varía según el modelo y la potencia de la bobina. En ambos casos (NC o NO), el funcionamiento viene determinado por el campo magnético generado por el paso de la corriente por la bobina.

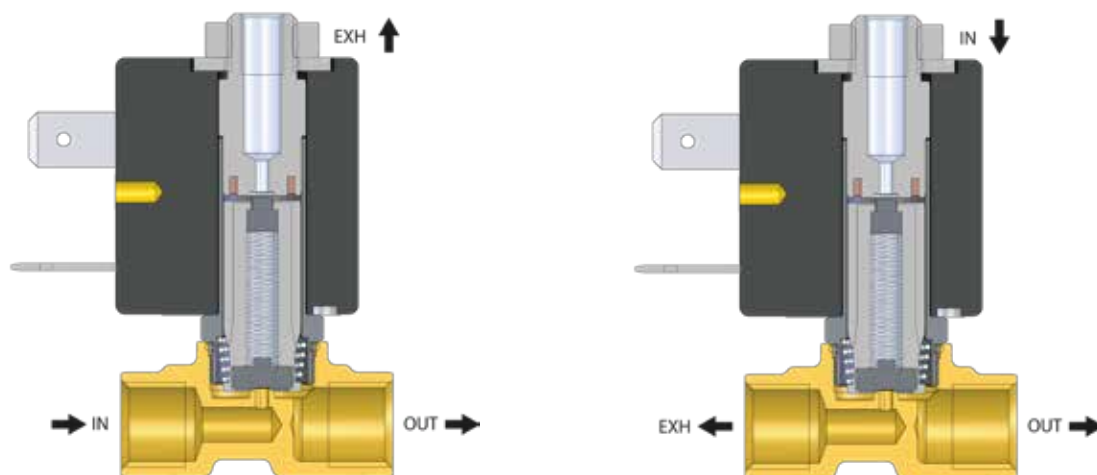
Acionamento direto 2/2 - NC and NO **PT**

Nas eletroválvulas de accionamento direto 2/2-vias, disponíveis nas versões Normalemente Fechada ou Normalemente Aberta, o núcleo móvel abre ou fecha diretamente o orifício principal da válvula. Esta tipologia de válvulas funciona com pressão diferencial mínima de zero bar, e pressão diferencial máxima que varia de acordo com o modelo e a potência da bobina escolhida. O funcionamento, em ambos os casos, (NC ou NA), é determinado pelo campo magnético produzido pela passagem da corrente na bobina.

ELETTROVALVOLE AD AZIONAMENTO DIRETTO

DIRECT ACTING SOLENOID VALVES
MAGNETVENTILE MIT DIREKTER BETÄTIGUNG
ELECTROVANNES A ACTIONNEMENT DIRECT
ELECTROVÁLVULAS DE ACCIONAMIENTO DIRECTO
ELETRÓVÁLVULAS DE ACIONAMENTO DIRETO

3/2



Azionamento diretto 3/2 - NC e NA

IT

Le elettrovalvole ad azionamento diretto 3/2-vie hanno le connessioni di ingresso e di uscita ricavate nel corpo valvola, ed una connessione di scarico ricavata nel nucleo fisso. L'orificio principale e di scarico sono intercettati direttamente dagli otturatori presenti nel nucleo mobile. Queste valvole sono disponibili nelle versioni Normalmente Chiuse o Normalmente Aperte e possono funzionare con minima OPD zero bar sino ad una max OPD che varia a seconda del modello. Nella versione NC, a riposo uscita e scarico sono in comunicazione tra loro, mentre il fluido in ingresso viene intercettato dall'otturatore. Eccitando la bobina viene aperto l'orificio principale ed il fluido può scorrere dall'ingresso verso l'uscita; lo scarico è chiuso. Nella versione NA, a riposo l'orificio principale è aperto ed il fluido può scorrere dall'ingresso verso l'uscita, mentre lo scarico è chiuso. Eccitando la bobina viene chiuso l'orificio principale ed aperto lo scarico che viene messo in comunicazione con l'uscita. Il funzionamento, in entrambi i casi, è determinato unicamente dal campo magnetico prodotto dal passaggio della corrente nella bobina.

Direct acting 3/2 - NC and NO

GB

The 3/2-way direct acting solenoid valves have inlet and outlet connections carved/machined from the valve body and an exhaust connection carved/machined from the fixed core. The main and the exhaust orifices are intercepted by the shutters present in the mobile plunger. These valves are available in the Normally Closed or Normally Open versions and can operate with a minimum OPD of zero bar up to a maximum OPD which varies according to the model. In the NC version, in rest position the outlet and exhaust are in communication each other, while the incoming fluid is intercepted by the shutter. By energizing the coil, the main orifice is opened and the fluid can flow from the inlet to the outlet; the exhaust is closed. In the NO version, in rest position the main orifice is open and the fluid can flow from the inlet to the outlet, while the exhaust is closed. By energizing the coil the main orifice is closed and the outlet is in communication with the exhaust which is opened. In both cases the functioning is determined by the magnetic field generated by the passage of current in the coil.

Direkte Betätigung 3/2 - NC und NO

DE

Die direktwirkenden 3/2-Wege-Magnetventile haben einen Einlass- und einen Auslassanschluss im Ventilgehäuse und einen Auslassanschluss im festen Kern. Die Haupt- und Entlüftungsöffnungen werden durch die im beweglichen Stößel vorhandenen Klappen abgefangen. Diese Ventile sind in den Ausführungen normal geschlossen oder normal offen erhältlich und können mit einem Mindest-OPD von null bar bis zu einem maximalen OPD arbeiten, der je nach Modell variiert. Bei der NC-Version sind in der Ruhestellung der Auslass und die Entlüftung miteinander verbunden, während die einströmende Flüssigkeit von der Klappe abgefangen wird. Durch Erregen der Spule wird die Hauptöffnung geöffnet und die Flüssigkeit kann vom Einlass zum Auslass fließen; der Auslass ist geschlossen. Bei der NO-Version ist in der Ruhestellung die Hauptdüse geöffnet und die Flüssigkeit kann vom Einlass zum Auslass fließen, während der Auslass geschlossen ist. Durch Einschalten der Spule wird die Hauptöffnung geschlossen und der Auslass steht mit dem geöffneten Auslass in Verbindung. In beiden Fällen wird die Funktion durch das Magnetfeld bestimmt, das durch den Strom in der Spule erzeugt wird.

Actionnement direct 3/2 - NF et NO

FR

Les électrovannes à actionnement direct 3/2 ont une entrée et sortie dans le corps de vanne et un échappement dans le noyau fixe. Le passage principal et l'échappement sont canalisés par les obturateurs présent dans le piston mobile. Ces vannes sont disponibles en version normalement fermée ou normalement ouverte et peuvent fonctionner avec un OPD minimum de zéro bar jusqu'à un OPD maximum qui varie selon le modèle. Dans la version NC, en position repos, la sortie et l'échappement communiquent directement, tandis que le fluide entrant est bloqué par l'obturateur. En alimentant la bobine, le passage principal est ouvert et le fluide peut s'écouler de l'entrée vers la sortie; l'échappement est fermé. Dans la version NO, en position repos le passage principal est ouvert et le fluide peut s'écouler de l'entrée à la sortie, tandis que l'échappement est fermé. En alimentant la bobine, le passage principal est fermé et la sortie communique avec l'échappement. Dans les deux cas, le fonctionnement est déterminé par le champ magnétique généré par le courant dans la bobine.

Accionamiento directo 3/2 - NC y NO

ES

En las electroválvulas de accionamiento directo 3/2 las conexiones de entrada y salida están realizadas en el cuerpo de la válvula y una conexión de escape que está en el núcleo fijo. El orificio principal y el escape abren y cierran por la presencia del núcleo móvil. Estas válvulas están disponibles en la versión normalmente cerrada y abierta. Aparte pueden funcionar con una mínima OPD cero bar, hasta una máxima OPD que varía según el modelo. En la versión NC, en reposo la salida y el escape están comunicados entre ellos mientras el fluido en la entrada está interceptado por el obturador. Excitando la bobina abrimos el orificio principal y el fluido puede circular de la entrada a la salida, el escape está cerrado. En la versión NA, en reposo el orificio principal está abierto y el fluido puede circular de la entrada a la salida mientras el escape está cerrado. Excitando la bobina cerramos el orificio principal y abrimos el escape que se comunica con la salida. El funcionamiento, en ambos casos, viene determinado únicamente del campo magnético producido por el paso de la corriente por la bobina.

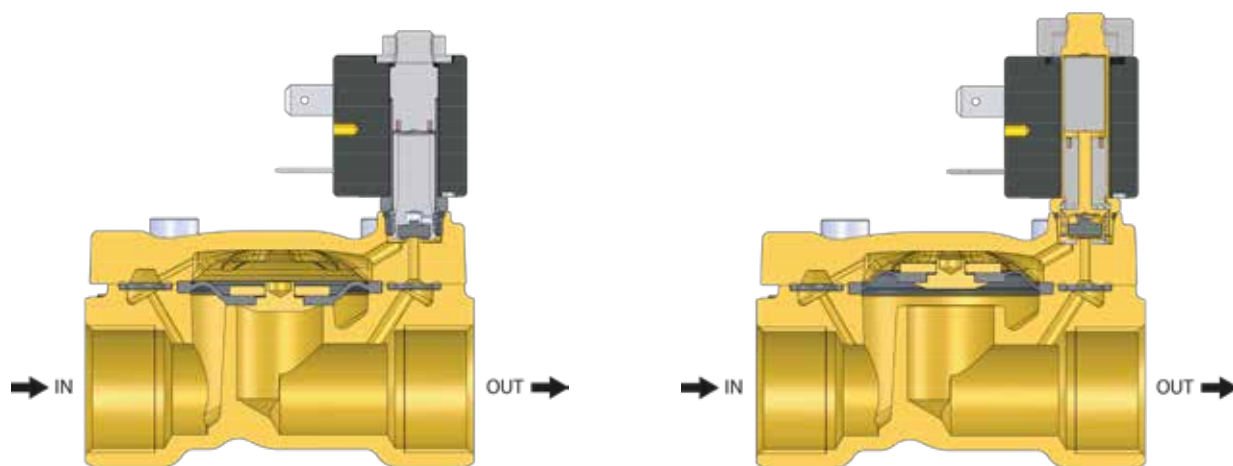
Acionamento direto 3/2 - NC and NO

PT

As eletroválvulas de acionamento direto 3/2-vias possuem as conexões de entrada e de saída no corpo da válvula e uma conexão de escape no núcleo fixo. Os orifícios principais e de escape são fechados diretamente pelo obturador presente no núcleo móvel. Estas válvulas estão disponíveis nas versões Normalmente Fechada ou Normalmente Aberta e podem funcionar com pressão diferencial mínima de zero bar e uma pressão diferencial máxima que varia segundo o modelo escolhido. Na versão NF, em repouso, a saída e o escape estão em comunicação entre si, enquanto o fluido de entrada fica interceptado pelo obturador. Acionando-se a bobina é aberto o orificio principal e o fluido pode passar da entrada para a saída; o escape é fechado nesta situação. Na versão NA, em repouso, o orificio principal é aberto e o fluido pode passar da entrada para a saída, enquanto o escape é fechado. Acionando a bobina fecha-se o orificio principal e abre-se o escape que fica em comunicação com a saída. O funcionamento, em ambos os casos, é determinado apenas pelo campo magnético produzido pela passagem da corrente na bobina.

ELETTROVALVOLE SERVO-AZIONATE O AD AZIONAMENTO INDIRETTO

SERVO-ASSISTED OR INDIRECT ACTING SOLENOID VALVES
 MAGNETVENTILE SERVOSTEUERTES ODER INDIREKTER BETÄTIGUNG
 ÉLECTROVANNES SERVO ASSISTÉES OU A ACTIONNEMENT INDIRECT
 ELECTROVÁLVULA SERVOACCIONADA O DE ACCIONAMIENTO INDIRECTO
 ELETROVÁLVULAS SERVO-PILOTADAS OU DE ACIONAMENTO INDIRETO



Servo-azionate 2/2 - NC e NA

IT

Nelle elettrovalvole servo-azionate, disponibili nelle versioni 2/2-vie Normalmente Chiuse o Normalmente Aperte, la caratteristica principale è di poter gestire portate elevate rispetto alle valvole ad azionamento diretto, mentre il fluido viene intercettato dalla membrana o dal pistone che agisce sull'orificio principale. In queste tipologie di valvole l'apertura o la chiusura dell'orificio principale avviene per mezzo della min OPD, generata tra ingresso ed uscita, che consente il movimento della membrana o del pistone. Eccitando la bobina, il nucleo mobile apre o chiude l'orificio pilota determinando lo scarico o il carico del fluido che agisce nella camera superiore della membrana o del pistone, generando così uno squilibrio di forze (Δp) tali da consentire il movimento della membrana o del pistone e quindi l'apertura o la chiusura dell'orificio principale. Il funzionamento delle valvole servo-azionate dipende sia dal campo magnetico generato dalla bobina per il controllo dell'orificio pilota, che dalla min OPD necessaria per l'apertura/chiusura della membrana o del pistone.

Servo-assisted 2/2 - NC and NO

GB

In the servo-assisted solenoid valves, available in the 2/2-way Normally Closed or Normally Open versions, the main feature is the possibility to manage high flow rates compared to the direct acting valves, while the fluid is intercepted by the diaphragm or by the piston which acts on the main orifice. In these types of valves the opening or closing of the main orifice is determined by the min OPD, generated between the inlet and the outlet, which allows the movement of the diaphragm or piston. By energizing the coil the mobile plunger opens or closes the pilot orifice causing the relieve or the load of the fluid that acts in the top chamber of the diaphragm or piston, generating an imbalance of forces (Δp) able to allow the movement of the diaphragm or piston and therefore the opening or closing of the main orifice. The functioning of the servo-assisted valves depends both from the magnetic field generated by the coil for controlling the pilot orifice and from the min OPD required for opening/closing the diaphragm or piston.

Servogesteuertes Magnetventil 2/2 - NC und NO

DE

Bei den servogesteuerten Magnetventilen, die in den Ausführungen 2/2-Wege-Magnetventile in geschlossener oder offener Ausführung erhältlich sind, können im Vergleich zu den direkt wirkenden Ventilen hohe Durchflussmengen transportiert werden. Wobei die Flüssigkeit von der Membran oder dem Kolben, der auf die Hauptdüse wirkt, abgefangen wird. Bei diesen Ventiltypen wird das Öffnen oder Schließen der Hauptöffnung durch den Mindest-OPD bestimmt, der zwischen dem Einlass und dem Auslass erzeugt wird und die Bewegung der Membran oder des Kolbens ermöglicht. Durch Erregung der Spule öffnet oder schließt der bewegliche Stößel die Vorsteueröffnung, wodurch das Fluid, das in der oberen Kammer der Membran oder des Kolbens wirkt, entlastet oder belastet wird und ein Ungleichgewicht der Kräfte (Δp) erzeugt wird, das die Bewegung der Membran oder des Kolbens und somit das Öffnen oder Schließen der Hauptöffnung ermöglicht. Die Funktion der servogesteuerten Ventile hängt sowohl von dem Magnetfeld ab, das von der Spule zur Steuerung der Pilotdüse erzeugt wird, als auch von dem Mindest-OPD, das zum Öffnen/Schließen der Membran oder des Kolbens erforderlich ist.

Servo-assisté 2/2 - NF et NO

FR

Dans les électrovannes servo-assistées, disponibles dans les Versions 2/2 Normalement Fermée ou Normalement Ouverte, la caractéristique principale est de gérer des débits élevés par rapport aux vannes à actionnement direct, tandis que le fluide est bloqué par le diaphragme ou par le piston qui agit sur l'orifice principal. Dans ces types de vannes, l'ouverture ou la fermeture du passage principal est déterminé par l'OPD min, généré entre l'entrée et la sortie, ce qui permet le mouvement du diaphragme ou piston. Lorsque la bobine est alimentée, le noyau mobile provoque l'ouverture d'un orifice (orifice pilote) et décharge la chambre au-dessus de la membrane. Le déséquilibre des pressions (Δp) provoque le déplacement de la membrane ou du piston qui ouvre l'orifice principal. Le fonctionnement des vannes servo-assistées dépend à la fois du champ magnétique généré par la bobine pour contrôler l'orifice du pilote et de l'OPD min requis pour l'ouverture/fermeture du diaphragme ou du piston.

Servoaccionada 2/2 - NC y NO

ES

En las electroválvulas servoaccionadas, disponibles en versión 2/2 vías, normalmente cerradas o normalmente abiertas, la característica principal es la de poder gestionar caudales elevados en comparación con las válvulas de accionamiento directo mientras que el fluido es interceptado por la membrana o el pistón que actúa sobre el orificio principal. En este tipo de válvulas abrir o cerrar el orificio principal se produce por medio de una diferencia de presión OPD generado entre la entrada y salida que permite el movimiento de la membrana o el pistón. Excitando la bobina, el núcleo móvil abre o cierra el orificio de pilotaje determinando el escape o carga del fluido que actúa en la cámara superior de la membrana o pistón, generando así un desequilibrio de las fuerzas (Δp) para permitir el movimiento de la membrana o pistón y por tanto la apertura o cierre del orificio principal. El funcionamiento de la válvula servoaccionada depende tanto del campo magnético generado por la bobina para el control del pilotaje, como de la diferencia de presión requerida OPD para abrir/cerrar la membrana o el pistón.

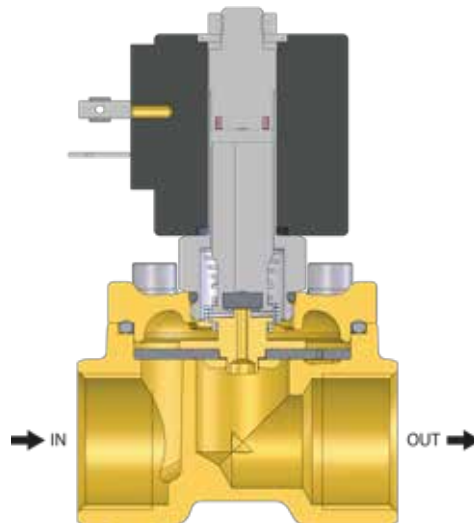
Servo-pilotada 2/2 - NF and NA

PT

Nas eletroválvulas servo-pilotadas, disponíveis nas versões 2/2-vias Normalemente Fechada ou Normalemente Aberta, a característica principal é poder controlar vazões elevadas em comparação às válvulas de acionamento direto, enquanto o fluido é interceptado pela membrana ou pelo pistão que age no orificio principal. Nestas tipologias de válvulas a abertura ou fechamento do orificio principal ocorre por meio da pressão diferencial mínima, gerada entre a entrada e a saída, que permite o movimento da membrana ou do pistão. Acionando a bobina, o núcleo móvel abre ou fecha o orificio piloto determinando o escape ou o carregamento do fluido, que age na câmara superior da membrana ou pistão, gerando assim um desequilíbrio de forças (Δp) tal que permite o movimento da membrana ou do pistão e então, a abertura ou fechamento do orificio principal. O funcionamento das válvulas servo-pilotadas depende, seja do campo magnético gerado pela bobina para o controle do orificio piloto, ou da pressão diferencial mínima necessária para a abertura/fechamento da membrana ou do pistão.

ELETTROVALVOLE AD AZIONAMENTO MISTO

MIXED ACTING SOLENOID VALVES
 MAGNETVENTILE MISCHBETRIEB
 ÉLECTROVANNES Á FONCTIONNEMENT MIXTE
 ELECTROVALVULAS DE ACCIONAMIENTO COMBINADO
 ELETROVÁLVULAS COM OPERAÇÃO MISTA



Azionamento misto 2/2 - NC

IT

Le elettrovalvole ad azionamento misto, disponibili nella versione 2/2-vie Normalmente Chiuse, sono la combinazione tra le valvole ad azionamento diretto e servo-azionate.
 In queste valvole il nucleo mobile è collegato meccanicamente alla membrana, nella quale è presente l'orifizio pilota.
 Eccitando la bobina il nucleo mobile apre l'orifizio pilota (scaricando la pressione presente nella camera superiore della membrana) e contemporaneamente solleva la membrana che a sua volta apre l'orifizio principale.
 L'apertura parziale della valvola avviene anche a pressione zero bar, mentre per una apertura totale è necessario un Δp minimo.

Mixed acting 2/2 - NC

GB

The mixed acting solenoid valves, available in the 2/2-way Normally Closed version, are the combination of direct acting and servo-assisted valves.
 In these valves the mobile plunger is mechanically connected to the diaphragm, in which the pilot orifice is in. By energizing the coil, the mobile plunger opens the pilot orifice (releasing the pressure present in the top chamber of the diaphragm) and at the same time raises the diaphragm which opens the main orifice.
 Partial opening of the valve occurs at zero bar pressure, while a minimum Δp is required for total opening.

Mischbetrieb 2/2 - NC

DE

Die gemischt wirkenden Magnetventile, die in der Ausführung 2/2-Wege normal geschlossen erhältlich sind, sind eine Kombination aus direkt wirkenden und vorgesteuerten Ventilen.
 Bei diesen Ventilen ist der bewegliche Stößel mechanisch mit der Membran verbunden, in der sich die Vorsteuerdüse befindet. Durch Erregung der Spule öffnet der bewegliche Stößel die Vorsteuerdüse (wodurch der Druck in der oberen Membrankammer abgebaut wird) und hebt gleichzeitig die Membran an, wodurch die Hauptdüse geöffnet wird. Die teilweise Öffnung des Ventils erfolgt bei einem Druck von null bar, während für die vollständige Öffnung ein Mindestdruck Differenzdruck erforderlich ist.

Action mixte 2/2 - NF

FR

Les électrovannes mixtes, disponibles en version 2/2 normalement fermée, sont la combinaison de vannes à actionnement direct et servo-assistées.
 Dans ces vannes, le piston mobile est mécaniquement relié au diaphragme, dans lequel se trouve l'orifice pilote. En alimentant la bobine, le piston ouvre l'orifice pilote (relâchant la pression présente dans la chambre haute de la membrane) et en même temps soulève la membrane qui à son tour ouvre l'orifice principal.
 L'ouverture partielle de la vanne se produit à une pression de zéro bar, tandis qu'un Δp minimum est requis pour une ouverture totale.

Accionamiento Combinado 2/2 - NC

ES

Las electroválvulas de accionamiento combinado, disponibles en la versión 2/2 vías normalmente cerrada, son la combinación de las válvulas de accionamiento directo y servoaccionadas. En esta válvula el núcleo móvil está unido mecánicamente a la membrana en la que está presente el orificio de pilotaje.
 Excitando la bobina el núcleo móvil abre el orificio de pilotaje (liberando la presión presente en la cámara superior de la membrana) y al mismo tiempo eleva la membrana abriendo el orificio principal.
 La apertura parcial de la válvula también ocurre a presión cero bar, mientras que para una apertura total se requiere una Δp mínima.

Operação mista 2/2 - NC

PT

As eletroválvulas de acionamento misto, disponíveis na versão 2/2-vias Normalmente Fechada, são a combinação entre as válvulas de acionamento direto e servo-pilotadas. Nestas válvulas o núcleo móvel é coligado mecanicamente à membrana, na qual está presente o orifício de pilotagem.
 Acionando-se a bobina, o núcleo móvel abre o orifício de pilotagem (descarregando a pressão presente na câmara superior da membrana) e contemporaneamente eleva a membrana que por sua vez abre o orifício principal.
 A abertura parcial da válvula é possível também à pressão de zero bar, enquanto para uma abertura total é necessário um Δp mínimo.

INFORMAZIONI TECNICHE GENERALI

GENERAL TECHNICAL INFORMATION
 ALLGEMEINE TECHNISCHE INFORMATIONEN
 INFORMATIONS TECHNIQUES GÉNÉRALES
 INFORMACIÓN TÉCNICA GENERAL
 INFORMAÇÕES TÉCNICAS GERAIS

IT
Pressione differenziale Δp

Con pressione differenziale (o caduta di pressione o perdita di carico) si intende la differenza di pressioni tra l'ingresso e l'uscita della valvola. Il simbolo è Δp .

Pressione Differenziale di Esercizio (OPD)

Le prestazioni delle elettrovalvole vengono misurate con la differenza di pressione massima e minima tra l'ingresso e l'uscita della valvola.

Per ogni modello valvola vengono sempre indicati la massima e la minima OPD.

Con MOPD (Massima Pressione Differenziale di Esercizio) si intende il Δp massimo di lavoro che la valvola deve vincere per consentire il passaggio del flusso. A parità di orifizio, ma a seconda della tensione di alimentazione AC o DC, i valori di MOPD possono essere differenti.

Con mOPD (minima Pressione Differenziale di Esercizio) si intende il Δp minimo di lavoro per consentire l'apertura o la chiusura dell'orifizio principale. Nelle valvole ad azionamento diretto può essere pari a 0 bar, mentre nelle valvole servo-azionate deve sempre essere > 0 bar.

Contropressione

La contropressione è la pressione di uscita che lavora in senso opposto al flusso desiderato. Spesso si genera a causa di piegature o curve delle tubazioni poste in uscita alla valvola, riducendo quindi il flusso.

Le elettrovalvole a 2 vie non consentono che la pressione di uscita (o contropressione) sia maggiore della pressione di ingresso.

Qualora dovesse verificarsi questa situazione, è consigliato utilizzare valvole di ritegno per evitare che la contropressione invada il circuito a monte della valvola.

Massima pressione ammissibile (PS)

La massima pressione ammissibile (PS) è la pressione massima che la valvola può sostenere prima di subire danneggiamenti ai componenti interni e/o avere perdite verso l'esterno.

Non ha alcun rapporto con la MOPD a patto che deve essere maggiore o comunque di pari valore alla pressione di ingresso.

GB
Differential pressure Δp

Differential pressure (or pressure drop) means the pressures difference between the valve's inlet and outlet.

The symbol is Δp .

Operating Pressure Difference (OPD)

Solenoid valves performances are measured with the maximum and minimum pressure difference between the valve inlet and outlet.

The maximum and minimum OPD are indicated for each valve model.

MOPD (Maximum Operative Pressure Difference) indicates the maximum working Δp that the valve must overcome to allow the fluid to flow. With the same orifice, but with AC or DC voltage supply, the MOPD values can be different.

mOPD (minimum Operative Pressure Difference) indicates the minimum working Δp to allow the opening or closing of the main orifice. In direct acting valves it can be 0 bar, while in servo-assisted valves it must always be > 0 bar.

Back pressure

Back pressure is the outlet pressure that works opposite to the desired flow. It is often generated due to kinks or bends in the pipes or spray nozzles placed downstream of the valve outlet, thus reducing the flow.

In 2-way solenoid valves the back pressure higher than the inlet pressure will not allow the valve to function correctly.

Whenever this situation occur, the recommendation is to use check valves to prevent the back pressure to run over the upstream circuit of the valve.

Maximum allowable pressure (PS)

The maximum allowable pressure (PS) is the maximum pressure that the valve can withstand before having damages to the internal components and/or having external leakages.

It's not related with the MOPD as long as it must be higher than or in any case equal to the inlet pressure.

DE
Differenzdruck Δp

Der Differenzdruck (oder Druckabfall) ist der Unterschied zwischen dem Druck am Ein- und Ausgang des Ventils. Das Symbol ist Δp .

Betriebsdruckdifferenz (OPD)

Die Leistung von Magnetventilen wird anhand der maximalen und minimalen Druckdifferenz zwischen Ventilein- und -Ausgang gemessen. Die maximale und minimale OPD wird immer für jedes Ventilmodell angegeben.

Bei MOPD (Maximum Operative Pressure Difference) handelt es sich um den maximalen Arbeitsdruck, den das Ventil überwinden muss, um den Durchfluss der Flüssigkeit zu ermöglichen. Bei gleicher Nennweite, aber mit AC- oder DC-Spannungsversorgung, können die MOPD-Werte unterschiedlich sein.

Unter mOPD (minimum Operative Pressure Difference) versteht man das minimale Arbeits- Δp , das das Öffnen oder Schließen der Hauptdüse ermöglicht. Bei direktwirkenden Ventilen kann er 0 bar betragen, während er bei vorgesteuerten Ventilen immer > 0 bar sein muss.

Gegendruck

Der Gegendruck ist der Ausgangsdruck, der in entgegengesetzter Richtung zum gewünschten Durchfluss wirkt. Er entsteht oft durch Knicke oder Biegungen in den Rohren am Ventilausgang, wodurch der Durchfluss verringert wird.

Bei 2-Wege-Magnetventilen darf der Ausgangsdruck (oder Gegendruck) nicht höher sein als der Eingangsdruck.

In diesem Fall empfiehlt es sich, Rückschlagventile zu verwenden, um zu verhindern, dass der Gegendruck über den vorgeschalteten Kreislauf des Ventils läuft.

Maximal zulässiger Druck (PS)

Der maximal zulässige Druck (PS) ist der maximale Druck, dem das Ventil standhalten kann, ohne dass die internen Komponenten beschädigt werden und/oder es zu externen Leckagen kommt. Er steht in keiner Beziehung zum MOPD, solange er höher als der Eingangsdruck oder in jedem Fall gleich diesem ist.

FR

Pression différentielle Δp

La pression différentielle (ou chute de pression) signifie la différence de pressions entre l'entrée et la sortie de la vanne.
Le symbole est Δp .

Pression différentielle de fonctionnement (OPD)

Les performances des électrovannes sont mesurées avec la différence de pression maximale et minimale entre l'entrée et la sortie de la vanne.
L'OPD maximum et minimum sont toujours notifiés pour chaque modèle de vanne.

Avec MOPD (Maximum Operative Pressure Difference), cela signifie le Δp de travail maximal que la vanne doit surmonter pour permettre le passage du fluide. Avec le même orifice, mais selon la tension d'alimentation AC ou DC, les valeurs MOPD peuvent être différentes.

Avec mOPD (minimum Operative Pressure Difference), cela signifie le Δp de travail minimum pour permettre l'ouverture ou la fermeture de l'orifice principal. Dans les vannes à actionnement direct, elle peut être de 0 bar, tandis que dans vannes servo-assistées, elle doit toujours être > 0 bar.

Contre-pression

La contre-pression est la pression de sortie qui fonctionne dans le sens opposé au débit souhaité. Souvent, il est généré en raison de coudes ou d'étranglement des tuyaux placés à la sortie de la vanne, réduisant ainsi le débit.

Les électrovannes à 2 voies ne permettent pas que la pression de sortie (ou la contre-pression) soit supérieure à la pression d'entrée.

Chaque fois que cette situation se produit, il est recommandé d'utiliser des clapets anti-retour pour éviter la contre-pression sur le circuit en amont de la vanne.

Pression maximale admissible (PS)

La pression maximale admissible (PS) est la pression maximale que la vanne peut supporter avant d'endommager les composants internes et/ou de présenter des fuites externes.
Elle n'a aucun rapport avec la MOPD tant qu'elle doit être supérieure ou en tout cas égale à la pression d'entrée.

ES

Presión diferencial Δp

Presión diferencial (caída de presión o pérdida de carga) significa la diferencia de presiones entre la salida y la entrada de la válvula.
El símbolo es Δp .

Presión diferencial de Ejercicio (OPD)

El rendimiento de las electroválvulas se mide con la diferencia de presión máxima y mínima entre la entrada y la salida de la válvula. El OPD máximo y mínimo siempre se indica para cada modelo de válvula.

Por MOPD (Máxima Presión Diferencial de Ejercicio) se entiende el Δp máxima de trabajo que la válvula debe vencer para permitir el plazo del flujo. Con el mismo orificio, pero según la tensión de alimentación AC o DC, el valor de MOPD puede ser diferente.

Por mOPD (mínima Presión Diferencial de Ejercicio) se entiende el Δp mínimo de trabajo para permitir la apertura o el cierre del orificio principal. En la electroválvula de accionamiento directo puede ser igual a 0, mientras que en las válvulas servoaccionadas debe ser siempre > 0 bar.

Contrapresión

La contrapresión es la presión de salida que trabaja en dirección opuesta al flujo deseado. Muchas veces se genera por dobleces o curvas en las tuberías colocadas a la salida de la válvula, reduciendo así el caudal.

Las electroválvulas de 2 vías no permiten que la presión de salida (o contrapresión) sea mayor que la presión de entrada. En caso de presentarse esta situación, se recomienda utilizar válvulas de retención para evitar que la contrapresión invada el circuito de la entrada.

Máxima presión admisible (PS)

La máxima presión admisible (PS) es la presión máxima que puede soportar la válvula antes de sufrir daños en los componentes internos y/o tener fugas al exterior. No tiene relación con la MOPD siempre que sea mayor o en todo caso igual a la presión de entrada.

PT

Pressão diferencial Δp

Por pressão diferencial (ou queda de pressão ou perda de carga) entende-se a diferença de pressões entre a entrada e a saída da válvula.
Seu símbolo é Δp .

Pressão Diferencial de Operação (OPD)

O desempenho das eletroválvulas é medido pela diferença de pressão máxima e mínima entre a entrada e a saída da válvula.
Cada modelo de válvula sempre traz indicadas a máxima e a mínima OPD.

Por MOPD (Máxima Pressão Diferencial de Operação) se entende o Δp máximo de trabalho que a válvula deve vencer para permitir a passagem do fluxo. Mesmo com o mesmo orificio, dependendo da tensão de alimentação CA ou CC, os valores de MOPD podem ser diferentes.

Por mOPD (mínima Pressão Diferencial de Operação) entende-se o Δp mínimo de trabalho para permitir a abertura ou fechamento do orificio principal. Em válvulas operadas diretamente pode ser igual a 0 bar, enquanto em válvulas servo operadas deve ser sempre > 0 bar.

Contrapressão

A contrapressão é a pressão de saída que trabalha no sentido oposto ao fluxo desejado. Muitas vezes é gerado por a torções ou dobras nos tubos colocados na saída da válvula, reduzindo assim o fluxo.

As eletroválvulas de 2 vias não consentem que a pressão de saída (ou contrapressão) seja maior que a pressão de entrada.

Caso esta situação ocorra, recomenda-se a utilização de válvulas de retenção para evitar que a contrapressão invada o circuito da válvula no sentido oposto.

Máxima pressão admissível (PS)

A máxima pressão admissível (PS) é a pressão máxima que a válvula pode suportar antes de ocorrerem danos aos componentes internos e/ou ocorrerem vazamentos. A PS não tem relação com o MOPD, desde que seja maior ou, de qualquer modo, igual à pressão de entrada.


Coefficienti di portata Kv e Cv
IT

Ogni elettrovalvola ha un coefficiente di portata Kv o Cv che varia in funzione della tipologia e del diametro dell'orifizio.

Il coefficiente di portata Kv, che utilizza le unità di misura del sistema metrico, definisce il flusso di acqua che attraversa l'elettrovalvola con una pressione differenziale di 1 bar ad una temperatura compresa tra 5°C e 40°C e viene determinato come indicato dalle norme VDE 2173. Viene espresso in: m³/h o l/min.

Il coefficiente di portata Cv invece, utilizza le unità di misura del sistema anglosassone e definisce il flusso di acqua che attraversa l'elettrovalvola a 60°F con una pressione differenziale di 1 psi. Viene espresso in US gpm (galloni USA al minuto).

I due valori non possono essere equiparati, ma esistono formule di conversione:

$$Kv = 0.857 * Cv$$

$$Cv = 1.165 * Kv$$

Conoscendo il tipo di fluido, la pressione di lavoro e la perdita di carico accettabile, il coefficiente di portata Kv o Cv permette di calcolare la portata che attraversa l'elettrovalvola ed il relativo dimensionamento per il corretto utilizzo nell'applicazione.

Kv and Cv flow coefficients
GB

Each solenoid valve has a Kv or Cv flow rate coefficient which varies according to the type and the orifice diameter.

The flow rate coefficient Kv, which use the metric system units of measurement, defines the flow of water that crosses the solenoid valve with a differential pressure of 1 bar at a temperature between 5°C and 40°C and is determined as indicated by VDE 2173 standards.

It is expressed in: m³/h or l/min.

The flow rate coefficient Cv uses the units of measurement of the Anglo-Saxon system and defines the flow of water that cross the solenoid valve at 60°F with a differential pressure of 1 psi.

It is expressed in US gpm (US gallons per minute).

The two values cannot be compared, but there are conversion formulas:

$$Kv = 0.857 * Cv$$

$$Cv = 1.165 * Kv$$

Knowing the type of fluid, the working pressure and the acceptable pressure drop, the Kv or Cv flow rate coefficient allows to calculate the flow rate that crosses the solenoid valve and the relative size for the proper use in the application.

Durchflusskoeffizienten Kv und Cv
DE

Jedes Magnetventil hat einen Durchflusskoeffizienten Kv oder Cv, der je nach Typ und Öffnungsdurchmesser variiert.

Der Durchflusskoeffizient Kv, der die Maßeinheiten des metrischen Systems verwendet, definiert den Wasserdurchfluss, der bei einem Differenzdruck von 1 bar bei einer Temperatur zwischen 5°C und 40°C durch das Magnetventil fließt und wird gemäß der Norm VDE 2173 bestimmt.

Er wird ausgedrückt in: m³/h oder l/min.

Der Durchflusskoeffizient Cv verwendet die Maßeinheiten des angelsächsischen Systems und definiert den Wasserdurchfluss, der das Magnetventil bei 60°F und einem Differenzdruck von 1 psi.

Er wird in US gpm (US-Gallonen pro Minute) angegeben.

Die beiden Werte können nicht miteinander verglichen werden, aber es gibt Umrechnungsformeln:

$$Kv = 0.857 * Cv$$

$$Cv = 1.165 * Kv$$

Wenn man die Art der Flüssigkeit, den Arbeitsdruck und den zulässigen Druckabfall kennt, kann man mit dem Durchflusskoeffizienten Kv oder Cv den Durchfluss berechnen, der durch das Magnetventil fließt, und die entsprechende Größe für den richtigen Einsatz in der Anwendung bestimmen.

Coefficients de débit Kv et Cv
FR

Chaque électrovanne a un coefficient de débit Kv ou Cv qui varie selon le type et le diamètre de l'orifice.

Le coefficient de débit Kv, qui utilise des unités de mesure du système métrique, définit le débit d'eau qui traverse l'électrovanne avec une pression différentielle de 1 bar à une température entre 5°C et 40°C et est déterminé par les normes VDE 2173.

L'unité est exprimée en m³/h ou l/min.

Le coefficient de débit Cv, quant à lui, utilise des unités de mesure du système anglo-saxon et définit le débit d'eau qui traverse l'électrovanne à 60°F avec une pression différentiel de 1 psi. Il est exprimé en US gpm (US gallons par minute).

Les deux valeurs ne peuvent pas être comparées, mais il existe une formule de conversion:

$$Kv = 0.857 * Cv$$

$$Cv = 1.165 * Kv$$

Connaître le type de fluide, la pression et la perte de charge acceptable, le coefficient de débit Kv ou Cv permet de calculer le débit qui traverse l'électrovanne et sa dimension pour une utilisation optimale.

Coefficientes de caudal Kv y Cv
ES

Cada electroválvula tiene un coeficiente de caudal Kv o Cv que varía en función del tipo y del diámetro del orificio.

El coeficiente de caudal Kv, utiliza la unidad de medida del sistema métrico, define el flujo de agua que atraviesa la electroválvula con una presión diferencial de 1 bar y una temperatura comprendida entre 5°C y 40°C y se determina según lo indicado por las normas VDE 2173.

Se expresa en m³/h o l/min.

El coeficiente de caudal Cv utiliza la unidad de medida del sistema anglosajón y define el flujo de agua que atraviesa la válvula a 60°F con una diferencial de 1 psi.

Viene expresado en US gpm (galón USA al minuto).

Los dos valores pueden ser equiparados, existe una fórmula de conversión:

$$Kv = 0.857 * Cv$$

$$Cv = 1.165 * Kv$$

Conociendo el tipo de fluido, la presión de trabajo y la caída de presión aceptable el coeficiente de caudal Kv o Cv permite calcular el caudal que atraviesa la electroválvula y su correcto dimensionamiento para la aplicación.

Coefficientes de fluxo Kv e Cv
PT

Cada eletroválvula tem um coeficiente de vazão Kv ou Cv que varia em função da tipologia e do diâmetro do orifício.

O coeficiente de vazão Kv, que utiliza as unidade de medida do sistema métrico, define o fluxo de água que atravessa a eletroválvula com uma pressão diferencial de 1 bar a uma temperatura entre 5°C e 40°C e é determinado como indicado pela norma VDE 2173. E será expresso em: m³/h ou l/min.

O coeficiente de vazão Cv por sua vez, utiliza as unidades de medida do sistema Anglo-Saxão e define o fluxo de água que atravessa a eletroválvula a 60°F a uma pressão diferencial de 1 psi. É expresso em US gpm (galão americano por minuto).

Os dois valores não podem ser equiparados, mas existem formulas de conversão:

$$Kv = 0.857 * Cv$$

$$Cv = 1.165 * Kv$$

Conhecendo-se o tipo de fluido, a pressão de trabalho, a perda de carga aceitável e o coeficiente de vazão Kv ou Cv é possível calcular a vazão que atravessa a eletroválvula e o dimensionamento desta para a correta utilização na aplicação.


Viscosità
IT

La viscosità di un fluido è la grandezza fisica che misura la resistenza del fluido allo scorrimento. Essa influisce notevolmente sulla portata e sulla MOPD della valvola. Per ogni diametro valvola presente nelle tabelle del catalogo viene indicata la viscosità massima consigliata, espressa in cSt (centiStokes).
L'utilizzo di fluidi con valori di viscosità più elevati potrebbe comportare la riduzione delle prestazioni e l'occlusione degli orifizi delle valvole.

Viscosity
GB

The viscosity of a fluid is the physical magnitude that measures the resistance to flow opposed by a fluid. The viscosity heavily influences the valve's flow rate and MOPD. The maximum recommended viscosity, expressed in cSt (centiStokes), is indicated for each valve diameter in the catalog tables.
The use of fluids with higher viscosity values could lead to reduce performances and occlusion of the valves orifices.

Viskosität
DE

Die Viskosität einer Flüssigkeit ist die physikalische Größe, die den Durchflusswiderstand einer Flüssigkeit misst. Die Viskosität hat großen Einfluss auf die Durchflussmenge und den MOPD des Ventils. Die maximal empfohlene Viskosität, ausgedrückt in cSt (centiStokes), ist für jeden Ventildurchmesser in den Katalogtabellen angegeben. Die Verwendung von Flüssigkeiten mit höheren Viskositätswerten kann zu Leistungseinbußen und Verstopfung der Ventilöffnungen führen.

Viscosité
FR

La viscosité d'un fluide est la grandeur physique qui mesure la résistance du fluide à l'écoulement. La viscosité influence fortement le débit et le MOPD de la vanne. La viscosité maximale recommandée, exprimée en cSt (centiStokes), est indiquée pour chaque diamètre de passage dans les tableaux du catalogue. L'utilisation de fluides avec des valeurs de viscosité plus élevées pourrait entraîner une diminution des performances et l'obturation des orifices des vannes.

Viscosidad
ES

La viscosidad de un fluido es la cantidad física que mide la resistencia del fluido al circular. Afecta considerablemente en el caudal y en el MOPD de la válvula. Para cada diámetro de válvula presente en las tablas del catálogo se indica la viscosidad máxima recomendada, expresada en cSt (centiStokes).
El uso de fluidos con una viscosidad más alta, puede dar el resultado de una disminución del rendimiento y la obstrucción de los orificios de la válvula.

Viscosidade
PT

A viscosidade de um fluido é a grandeza física que mede a resistência do fluido ao seu escoamento. Isto influi notavelmente na vazão e na MOPD da válvula. Para cada diâmetro válvula presente nas tabelas do catálogo está indicada a viscosidade máxima aconselhada, expressa em cSt (centiStokes).
A utilização dos fluidos com valores de viscosidade mais elevadas pode causar a redução das performances e obstrução dos orifícios da válvulas.

Viscosità cinematica Kinematics viscosity Kinematische Viskosität Viscosité cinématique Viscosidad cinemática Viscosidade cinemática	Engler	Viscosità cinematica Kinematics viscosity Kinematische Viskosität Viscosité cinématique Viscosidad cinemática Viscosidade cinemática	Engler
centiStokes – cSt = mm ² /s	°E	centiStokes – cSt = mm ² /s	°E
1	1.00	30	4.08
3	1.22	37	4.97
4	1.31	40	5.35
5	1.40	50	6.65
7	1.57	53	7.04
10	1.83	60	7.92
12	2.02	70	9.24
15	2.30	80	10.56
20	2.88	90	11.88
25	3.44	100	13.20

CALCOLO DELLA PORTATA

FLOW CALCULATION
 DURCHFLOSSBERECHNUNG
 CALCUL DE FLUX
 CÁLCULO DEL FLUJO
 CÁLCULO DO VAZÃO

Simboli Symbols Symbole Symboles Símbolos Símbolos	Unità di misura Units of measure Maßeinheit Unités de mesure Unidades de medida Unidades de medida	Descrizione Description Beschreibung Description Descripción Descrição
Kv	m ³ /h	Coefficiente di portata - Flow rate coefficient - Durchflusskoeffizient Coefficient de débit - Coeficiente de caudal - Coeficiente de vazão
Q	m ³ /h	Portata - Flow rate - Strömungsgeschwindigkeit Débit - Caudal - Vazão
Q_n	Nm ³ /h	Portata normale (20°C, 760mm Hg) - Normal flow (20°C, 760mm Hg) - Normaler Durchfluss (20°C, 760mm Hg) Débit normal (20°C, 760mm Hg) - Caudal normal (20°C, 760mm Hg) - Vazão normal (20°C, 760mm Hg)
P₁	bar	Pressione assoluta in ingresso (Pr + 1 bar) - Absolute inlet pressure (Pr + 1 bar) - Absoluter Eingangsdruck (Pr + 1 bar) Pression absolue d'entrée (Pr + 1 bar) - Presión absoluta de entrada (Pr + 1 bar) - Pressão absoluta de entrada (Pr + 1 bar)
P₂	bar	Pressione assoluta in uscita (Pr + 1 bar) - Absolute outlet pressure (Pr + 1 bar) - Absoluter Ausgangsdruck (Pr + 1 bar) Pression absolue en sortie (Pr + 1 bar) - Presión absoluta de salida (Pr + 1 bar) - Pressão absoluta de saída (Pr + 1 bar)
Δp	bar	Caduta di pressione (P ₁ - P ₂) - Pressure drop (P ₁ - P ₂) - Druckabfall (P ₁ - P ₂) Chute de pression (P ₁ - P ₂) - Caída de presión (P ₁ - P ₂) - Queda de pressão (P ₁ - P ₂)
ρ	Kg/dm ³	Densità relativa rispetto all'acqua (= 1) - Relative density to water (= 1) - Relative Dichte zu Wasser (= 1) Densité relative à l'eau (= 1) - Densidad relativa respecto al agua (= 1) - Densidade relativa comparada à água (= 1)
ρ_n	Kg/dm ³	Densità normale rispetto all'aria - Normal density to air - Normale Dichte zu Luft Densité relative à l'air - Densidad normal respecto al aire - Densidade normal com relação ao ar
G	Kg/h	Massa - Mass - Masse Masse - Masa - Massa
T	°C	Temperatura fluido in ingresso - Inlet fluid temperature - Temperatur der Einlassflüssigkeit Température du fluide d'entrée - Temperatura de entrada del fluido - Temperatura de entrada do fluido
V₁	m ³ /Kg	Volume specifico in ingresso - Specific inlet volume - Spezifisches Eingangsvolumen Volume d'entrée spécifique - Volumen específico de entrada - Volume específico de entrada
V₂	m ³ /Kg	Volume specifico in uscita - Specific outlet volume - Spezifisches Auslassvolumen Volume spécifique en sortie - Volumen específico de salida - Volume específico de saída

Fluidi Fluids Flüssigkeiten Fluides Fluidos Fluidos	Formule Formulas Formeln Formules Fórmulas Fórmulas
Liquidi Liquids Flüssigkeiten Liquides Líquidos Líquidos	$Q = Kv * \sqrt{\frac{\Delta p}{\rho}}$
Gas Gases Gas Gaz Gas Gases	$\Delta p < \frac{P_1}{2} \rightarrow Q_n = 514 * Kv * \sqrt{\frac{\Delta p * P_2}{\rho_n * (273+T)}}$ $\Delta p > \frac{P_1}{2} \rightarrow Q_n = 257 * Kv * \sqrt{\frac{P_1}{\rho_n * (273+T)}}$
Aria Air Luft Air Aire Ar	$\Delta p < \frac{P_1}{2} \rightarrow Q_n = 26 * Kv * \sqrt{\Delta p * P_2}$ $\Delta p > \frac{P_1}{2} \rightarrow Q_n = Kv * P_1 * 13$
Vapore Steam Dampf Vapeur Vapor Vapor	$\Delta p < \frac{P_1}{2} \rightarrow G = 31.6 * Kv * \sqrt{\frac{\Delta p}{V_2}}$ $\Delta p > \frac{P_1}{2} \rightarrow G = 31.6 * Kv * \sqrt{\frac{P_1}{V_1}}$



Grado di protezione IP	IT	IP protection class	GB	IP Schutzgrad	DE
La norma CEI EN 60529/1997 (ex CEI 70-1) classifica i gradi di protezione degli involucri per apparecchiature elettriche. Il grado IP nel caso delle elettrovalvole viene indicato con due cifre caratteristiche.		The CEI EN 60529/1997 (formerly CEI 70-1) standard classifies the protection degrees of enclosures for electrical equipments. The IP degree for the solenoid valves is indicated with two digits.		Die Norm CEI EN 60529/1997 (früher CEI 70-1) klassifiziert die Schutzarten von Gehäusen für elektrische Geräte. Der IP-Grad für die Magnetventile wird mit zwei Ziffern angegeben.	
Degré de protection IP	FR	Grado de protección IP	ES	Grau de proteção IP	PT
La norme CEI EN 60529/1997 (anciennement CEI 70-1) classe les degrés de protection des enveloppes pour les équipements électriques. Le degré IP des bobines pour les électro vannes est indiqué par deux chiffres.		La norma CEI EN 60529/1997 (ex CEI 70-1) clasifica los grados de protección de envolventes de equipos eléctricos. El grado IP viene indicado con dos dígitos.		A norma CEI EN 60529/1997 (ex CEI 70-1) classifica os graus de proteção dos invólucros para equipamentos elétricos. O grau IP no caso das eletroválvulas é indicado por dois algarismos característicos.	

Corpi solidi - Solid bodies - Feste Körper - Corps solides - Cuerpos sólidos - Corpos sólidos

IP (1 st Digit)	Descrizione - Description - Beschreibung - Descripción - Descrição
0	Nessuna protezione - No protection - kein Schutz Pas de protection - Ninguna protección - Nenhuma proteção
1	Protezione da corpi solidi > Ø 50 mm - Protection from solid bodies > Ø 50 mm - Schutz vor festen Körpern > Ø 50 mm Protection contre les corps solides > Ø 50 mm - Protección de cuerpo sólido > Ø 50 mm - Proteção contra corpos sólidos > Ø 50 mm
2	Protezione da corpi solidi > Ø 12 mm - Protection from solid bodies > Ø 12 mm - Schutz vor festen Körpern > Ø 12 mm Protection contre les corps solides > Ø 12 mm - Protección de cuerpo sólido > Ø 12 mm - Proteção contra corpos sólidos > Ø 12 mm
3	Protezione da corpi solidi > Ø 2.5 mm - Protection from solid bodies > Ø 2.5 mm - Schutz vor festen Körpern > Ø 2.5 mm Protection contre les corps solides > Ø 2.5 mm - Protección de cuerpo sólido > Ø 2.5 mm - Proteção contra corpos sólidos > Ø 2.5 mm
4	Protezione da corpi solidi > Ø 1 mm - Protection from solid bodies > Ø 1 mm - Schutz vor festen Körpern > Ø 1 mm Protection contre les corps solides > Ø 1 mm - Protección de cuerpo sólido > Ø 1 mm - Proteção contra corpos sólidos > Ø 1 mm
5	Protetto contro le polveri (nessun deposito nocivo) - Protected against dusts (no harmful deposit) - Geschützt gegen Stäube (keine schädlichen Ablagerungen) Protégé contre la poussière (pas de dépôts nocifs) - Protegido contra el polvo (ningún depósito nocivo) - Protegido contra póis (nenhum depósito nocivo)
6	Totalmente protetto contro le polveri - Fully protected against dusts - Vollständig geschützt gegen Stäube Totalment protégé contre les poussières - Totalmente protegido contra el polvo - Totalmente protegido contra póis

Corpi liquidi - Liquid bodies - Flüssige Körper - Corps liquides - Cuerpos líquidos - Corpos líquidos

IP (2 nd Digit)	Descrizione - Description - Beschreibung - Descripción - Descrição
0	Nessuna protezione - No protection Kein Schutz - Pas de protection Ninguna protección - Nenhuma proteção
1	Protezione contro le cadute verticali di gocce d'acqua - Protection against vertical falls of water drops Schutz gegen senkrecht Herabfallen von Wassertropfen - Protection contre les chutes verticales de gouttes d'eau Protección contra caídas verticales de gotas de agua - Proteção contra queda vertical de gotas d'água
2	Protezione contro le cadute di gocce d'acqua o pioggia fino a 15° dalla verticale - Protection against falling drops of water or rain up to 15° from the vertical Schutz gegen fallende Wassertropfen oder Regen bis zu einem Winkel von 15° zur Senkrechten - Protection contre les chutes de gouttes d'eau ou de pluie jusqu'à 15° de la verticale Protección contra la caída de gotas de agua o lluvia hasta 15° de la vertical - Proteção contra as quedas de gotas d'água ou chuva até 15° da vertical
3	Protezione contro le cadute di gocce d'acqua o pioggia fino a 60° dalla verticale - Protection against falling drops of water or rain up to 60° from the vertical Schutz gegen fallende Wassertropfen oder Regen bis zu einem Winkel von 60° zur Senkrechten - Protection contre les chutes de gouttes d'eau ou de pluie jusqu'à 60° de la verticale Protección contra la caída de gotas de agua o lluvia hasta 60° de la vertical - Proteção contra as quedas de gotas d'água ou chuva até 60° da vertical
4	Protezione contro gli spruzzi d'acqua da tutte le direzioni - Protection against water splashes from all directions Schutz vor Wasserspritzern aus allen Richtungen - Protection contre les projections d'eau de toutes directions Protección contra salpicaduras de agua en todas la direcciones - Proteção contra espirros d'água de todas as direções
5	Protezione contro i getti d'acqua - Protection against water jets Schutz gegen Strahlwasser - Protection contre les jets d'eau Protección contra chorros de agua - Proteção contra os jatos d'água
6	Protezione contro i getti d'acqua potenti - Protection against powerful jets of water Schutz gegen starkes Strahlwasser - Protection contre les jets d'eau puissants Protección contra potentes chorros de agua - Proteção contra jatos d'água potentes
7	Protezione contro gli effetti delle immersioni temporanee - Protection against the effects of temporary diving Schutz vor den Auswirkungen des zeitweiligen Eintauchen - Protection contre les effets de la plongée temporaire Protección contra los efectos de la inmersión temporal - Proteção contra os efeitos de imersões temporárias
8	Protezione contro gli effetti delle immersioni continue - Protection against the effects of continuous diving Schutz vor den Auswirkungen des dauernden Untertauchens - Protection contre les effets de la plongée continue Protección contra los efectos de la inmersión continua - Proteção contra os efeitos de imersões contínuas



Potenza delle bobine **IT**

La potenza, o assorbimento elettrico, indicata per ogni bobina si considera alla temperatura ambiente di 20°C ed alla tensione nominale, e si esprime in:

- Watt (W), per alimentazioni in Corrente Continua (CC); nelle bobine alimentate in CC la potenza attiva rimane costante sia nella fase di spunto che a corsa del nucleo mobile completata.
- VoltAmpere (VA), per alimentazioni in Corrente Alternata (AC); nelle bobine alimentate in AC viene indicata la sola potenza apparente a regime (ossia quando il nucleo mobile completa la corsa); va considerato che la potenza apparente in fase di spunto (ossia al momento dell'inserzione elettrica) è sempre superiore rispetto a quella a regime.

$$P \text{ (W o VA)} = V \text{ (Volt)} \times I \text{ (Ampere)} = \frac{V^2 \text{ (Volt)}}{R \text{ (Ohm } \Omega \text{)}}$$

La potenza può essere espressa in Watt anche in caso di alimentazione in Corrente Alternata; in questo caso esiste uno sfasamento tra tensione e corrente indicato come fattore di potenza o $\cos \varphi$ (Phi). Questo valore può variare tra 0 e 1.

$$P \text{ (W)} = V \text{ (Volt)} \times I \text{ (Ampere)} \times \cos \varphi$$

Coils power **GB**

The power, or electrical absorption, indicated for each coil it's registered at the ambient temperature of 20°C and at the nominal voltage, and is expressed in:

- Watt (W), for Direct Current (DC) power supplies; in the DC-powered coils, the active power remains constant both during the inrush phase and when the mobile plunger stroke cycle is completed.
- VoltAmpere (VA), for Alternating Current (AC) power supplies; in the AC-powered coils only the apparent power it's indicated in the holding state (when the mobile plunger has completed its stroke cycle); it must be considered that the apparent power during the inrush phase (at the electrical insertion) is always higher than the holding state.

$$P \text{ (W or VA)} = V \text{ (Volt)} \times I \text{ (Ampere)} = \frac{V^2 \text{ (Volt)}}{R \text{ (Ohm } \Omega \text{)}}$$

The power can be expressed in Watts even in the case of AC power supply; in this case there is a displacement between voltage and current indicated as power factor or $\cos \varphi$ (Phi). This value can vary between 0 and 1.

$$P \text{ (W)} = V \text{ (Volt)} \times I \text{ (Ampere)} \times \cos \varphi$$

Leistung der Spulen **DE**

Die für jede Spule angegebene Leistung bzw. elektrische Absorption wird bei einer Umgebungstemperatur von 20°C und der Nennspannung betrachtet und ausgedrückt in:

- Watt (W), für Gleichstromversorgungen (DC); bei gleichstromgespeisten Spulen bleibt die Wirkleistung sowohl während der Einschaltphase als auch nach Beendigung des Hubes des beweglichen Ankers konstant.
- VoltAmpere (VA), für Wechselstrom (AC)-Stromversorgungen; bei wechselstromgespeisten Spulen wird nur die Scheinleistung im Haltezustand angegeben (wenn der bewegliche Stößel seinen Hub beendet); Es ist zu beachten, dass die Scheinleistung während der Einschaltphase (beim elektrischen Einschalten) immer höher ist als im Haltezustand.

$$P \text{ (W oder VA)} = V \text{ (Volt)} \times I \text{ (Ampere)} = \frac{V^2 \text{ (Volt)}}{R \text{ (Ohm } \Omega \text{)}}$$

Die Leistung kann in Watt ausgedrückt werden, auch bei Wechselstromversorgung, in diesem Fall gibt es einen Phasenwinkel zwischen Spannung und Strom, der als Leistungsfaktor oder $\cos \varphi$ (Phi) angegeben wird. Dieser Wert kann zwischen 0 und 1 variieren.

$$P \text{ (W)} = V \text{ (Volt)} \times I \text{ (Ampere)} \times \cos \varphi$$

Puissance des bobines **FR**

La puissance, ou absorption électrique, notifiée pour chaque bobine est considérée à la température ambiante de 20°C et à la tension nominale, et s'exprime en:

- Watt (W), pour les alimentations en courant continu (DC); dans les bobines alimentées en courant continu, la puissance active reste constante à la fois pendant la phase d'appel et lors de la phase de maintien du pilote.
- Voltampère (VA), pour l'alimentation en courant alternatif (AC) dans les bobines alimentées en courant alternatif, seule la puissance apparente à l'état de maintien est indiquée (lorsque le noyau mobile termine sa course); il faut considérer que la puissance apparente pendant la phase d'appel (démarrage) est toujours supérieure à l'état de maintien.

$$P \text{ (W ou VA)} = V \text{ (Volt)} \times I \text{ (Ampere)} = \frac{V^2 \text{ (Volt)}}{R \text{ (Ohm } \Omega \text{)}}$$

La puissance peut être exprimée en Watts même en cas de courant alternatif; dans ce cas il y a un angle de phase entre tension et courant indiqués comme facteur de puissance ou $\cos \varphi$ (Phi). Cette valeur peut varier entre 0 et 1.

$$P \text{ (W)} = V \text{ (Volt)} \times I \text{ (Ampere)} \times \cos \varphi$$

Potencia de la bobina **ES**

La potencia, o absorción eléctrica, indicada para cada bobina se considera a una temperatura ambiente de 20°C y a la tensión nominal y se expresa en:

- Vatio (W), para alimentación en corriente continua (CC); en las bobinas alimentadas en corriente continua la potencia activa permanece constante durante la fase de irrupción y cuando la carrera del émbolo móvil está completada.
- Voltamperio (VA), para alimentación en corriente alterna (CA); en bobinas alimentadas con corriente alterna solo se indica la potencia aparente en modo estacionario (es decir, cuando el núcleo móvil completa la carrera); se debe considerar que la potencia aparente en la fase de arranque (es decir, en el momento de inserción eléctrica) es siempre mayor que cuando esté en pleno funcionamiento.

$$P \text{ (W o VA)} = V \text{ (Volt)} \times I \text{ (Ampere)} = \frac{V^2 \text{ (Volt)}}{R \text{ (Ohm } \Omega \text{)}}$$

La potencia puede ser expresada en vatios en caso de alimentación en corriente alterna; en este caso existe un cambio de fase entre el voltaje y la corriente indicado como factor de potencia o $\cos \varphi$ (Phi). Este valor puede variar entre 0 y 1.

$$P \text{ (W)} = V \text{ (Volt)} \times I \text{ (Ampere)} \times \cos \varphi$$

Potência das bobinas **PT**

A potência, ou absorção elétrica, indicada por cada bobina é considerada à temperatura ambiente de 20°C e à tensão nominal. E é expressa em:

- Watt (W), para Corrente Continua (CC); nas bobinas alimentadas em CC a potência ativa permanece constante, seja na fase de início ou quando o curso do núcleo móvel estiver concluído.
- VoltAmpere (VA), para Corrente Alternada (AC); nas bobinas alimentadas em AC é indicada somente a potência aparente em regime (ou seja, quando o núcleo móvel completa o curso); considera-se que a potência aparente na fase de início (ou seja no momento do acionamento elétrico) é sempre superior com relação àquela de regime.

$$P \text{ (W ou VA)} = V \text{ (Volt)} \times I \text{ (Ampere)} = \frac{V^2 \text{ (Volt)}}{R \text{ (Ohm } \Omega \text{)}}$$

A potência pode ser expressa em Watt também caso tenha alimentação em Corrente Alternada; neste caso existe uma diferença de fase entre tensão e corrente, indicada como fator de potência ou $\cos \varphi$ (Phi). Este valor pode variar entre 0 e 1.

$$P \text{ (W)} = V \text{ (Volt)} \times I \text{ (Ampere)} \times \cos \varphi$$


Temperatura ambiente **IT**

La temperatura ambiente minima e massima determina i limiti di sicurezza dettati dalla classe di isolamento della bobina. Essa dipende dai materiali dell'avvolgimento e dell'incapsulamento della bobina e viene definita dalle Direttive del settore.

Température ambiante **FR**

La température ambiante minimale et maximale détermine les limites de sécurité déterminées par la classe d'isolation de la bobine. Cela dépend des matériaux de surmoulage de la bobine et est défini par les directives en vigueur.

Ambient temperature **GB**

The minimum and maximum ambient temperature determines the safety limits dictated by the insulation class of the coil. It depends on the materials of the winding and encapsulation of the coil and is defined by the sector's directives.

Temperatura ambiente **ES**

La temperatura ambiente mínima y máxima determina el límite de seguridad dictados por la clase de aislamiento de la bobina. Depende de los materiales de bobinado y de la encapsulación de la bobina y se define por directivas de la industria.

Umgebungstemperatur **DE**

Die minimale und maximale Umgebungstemperatur bestimmt die Sicherheitsgrenzen, die durch die Isolationsklasse der Spule festgelegt sind. Sie hängt von den Materialien der Wicklung und der Verkapselung der Spule ab und wird durch die Regeln des Sektors definiert.

Temperatura ambiente **PT**

A temperatura ambiente mínima e máxima determina os limites de segurança infomados pela classe de isolamento da bobina. Esta depende dos materiais do isolamento e do encapsulamento da bobina e é definida pelas Diretivas do setor.

**Servizio continuo (ED)**

IT

Il "Servizio Continuo (ED)" è inteso come il tempo massimo di inserzione elettrica tollerato dalla bobina rispetto alla costante di tempo termica della bobina stessa.

Bobine in Servizio Continuo si indicano con la sigla ED100%, mentre i servizi non continui (ad es.: ED50%) sono intervallati da tempi di inserzione elettrica e tempi di riposo.

L'ED si calcola con la seguente formula:

$$ED = \frac{\text{tempo di inserzione}}{\text{tempo di inserzione} + \text{tempo di riposo}} \times 100$$

$$\text{Esempio: } ED = \frac{10'}{10' + 10'} \times 100 = ED 50\%$$

Per servizi non continui è possibile utilizzare bobine con potenze più elevate rispetto alle standard oppure impiegare bobine con temperature ambiente più elevate di quelle indicate.

Continuous Service (ED)

GB

The "Continuous Service (ED)" is intended as the maximum electrical insertion time tolerated by the coil compared to the thermal time constant of the coil.

Coils in Continuous Service are identified with ED100%, while for non-continuous service coils (e.g.: ED50%) it is necessary to intersperse electrical insertion times and rest times.

The ED is calculated with the following formula:

$$ED = \frac{\text{insertion time}}{\text{insertion time} + \text{rest time}} \times 100$$

$$\text{Example: } ED = \frac{10'}{10' + 10'} \times 100 = ED 50\%$$

For non-continuous services it is possible to use coils with higher powers than the standard ones or to use coils with ambient temperatures higher than the indicated ones.

Dauerbetrieb (ED)

DE

Unter "Dauerbetrieb (ED)" versteht man die maximale elektrische Einschaltdauer, die die Spule im Vergleich zur thermischen Zeitkonstante der Spule verträgt.

Spulen im Dauerbetrieb werden mit ED100% gekennzeichnet, während bei nicht kontinuierlichem Betrieb (z.B.: ED50%) elektrische Einschaltzeiten und Ruhezeiten unterbrochen werden müssen.

Die ED wird mit der folgenden Formel berechnet:

$$ED = \frac{\text{Zeit für das Insetat}}{\text{Zeit für das Insetat} + \text{Ruhezeit}} \times 100$$

$$\text{Beispiel: } ED = \frac{10'}{10' + 10'} \times 100 = ED 50\%$$

Für den nicht kontinuierlichen Betrieb ist es möglich, Spulen mit höheren Leistungen als die Standardspulen oder Spulen mit höheren Umgebungstemperaturen als den angegebenen zu verwenden.

Service continu (ED)

FR

Le "Service continu (ED)" correspond au temps maximum sous tension électrique toléré par la bobine par rapport à la constante de temps thermique de la bobine.

Les bobines en service continu sont identifiées avec ED100%, tandis que pour les services non continus (ex.: ED50%) il doit être nécessaire d'entrecouper les temps sous tension électrique et les temps de repos.

L'ED est calculé avec la formule suivante:

$$ED = \frac{\text{temps d'insertion}}{\text{temps d'insertion} + \text{temps de repos}} \times 100$$

$$\text{Exemple: } ED = \frac{10'}{10' + 10'} \times 100 = ED 50\%$$

Pour les services non continus, il est possible d'utiliser des bobines avec des puissances plus élevées que les standards ou d'utiliser des bobines avec températures ambiantes supérieures à celles indiquées.

Servicio continuo (ED)

ES

El "Servicio Continuo (ED)" es entendido como el tiempo de inserción eléctrica máxima tolerada por la bobina en comparación con el constante de tiempo térmico de la misma.

Bobina en servicio continuo se indica con la sigla ED100% mientras que los servicios no continuos (por ejemplo: ED50%) se intercalan tiempos de inserción eléctrica y de reposo.

La ED se calcula con la siguiente fórmula:

$$ED = \frac{\text{tiempo de inserción}}{\text{tiempo de inserción} + \text{tiempo de reposo}} \times 100$$

$$\text{Ejemplo: } ED = \frac{10'}{10' + 10'} \times 100 = ED 50\%$$

Para servicio no continuo es posible utilizar bobinas con potencias más elevadas respecto a las estándar o usar bobinas con la temperatura ambiente más altas de las indicadas.

Serviço contínuo (ED)

PT

O "Serviço Continuo (ED)" é entendido como o tempo máximo de acionamento elétrico tolerado pela bobina com respeito à constante de tempo térmica da bobina.

Bobina em Serviço Contínuo é indicada pela sigla ED100%, enquanto os serviços não continuos (ex.: ED50%) possuem alternância entre tempos de acionamento elétrico e tempos de repouso.

A ED é calculada com a seguinte fórmula:

$$ED = \frac{\text{tempo de inserção}}{\text{tempo de inserção} + \text{tempo de repouso}} \times 100$$

$$\text{Exemplo: } ED = \frac{10'}{10' + 10'} \times 100 = ED 50\%$$

Para serviços não continuos é possível utilizar bobinas com potência mais elevadas com respeito às bobinas standard ou também empregar bobinas com temperaturas ambiente mais elevadas de que as indicadas.

**Classe di isolamento delle bobine**

IT

La classe di isolamento identifica la temperatura massima dell'avvolgimento che ogni bobina può sostenere per garantire il normale funzionamento.

Quando l'avvolgimento è percorso dalla corrente si riscalda a causa dell'effetto Joule; il riscaldamento varia in funzione del tempo durante il quale la bobina viene alimentata.

Aignep utilizza bobine standard in classe H, che possono lavorare ad una temperatura dell'avvolgimento di +180°C.

Coils insulation class

GB

The insulation class identifies the maximum winding temperature that each coil can withstand to ensure normal operation.

When the winding is crossed by the current it heats up due to the Joule effect; the heating varies according to the time during which the coil is powered.

Aignep uses standard class H coils, which can work at a winding temperature of +180°C.

Isolationsklassen der Spulen

DE

Die Isolationsklasse gibt die maximale Wicklungstemperatur an, die jede Spule aushalten kann, um einen normalen Betrieb zu gewährleisten. Wenn die Wicklung vom Strom durchflossen wird, erwärmt sie sich aufgrund des Jouleschen Effekts; die Erwärmung variiert je nach der Zeit, in der die Spule mit Strom versorgt wird.

Aignep verwendet standardmäßig Spulen der Klasse H, die bei einer Wicklungstemperatur von +180°C arbeiten können.

Classe d'isolation de la bobine

FR

La classe d'isolation identifie la température maximale du bobinage que chaque bobine peut supporter pour assurer un fonctionnement normal.

Lorsque le bobinage est traversé par le courant, il s'échauffe en raison de l'effet Joule; la température varie en fonction du temps pendant laquelle la bobine est alimentée.

Aignep utilise des bobines standard de classe H, qui peuvent fonctionner à une température de bobinage de +180°C.

Clase de aislamiento de la bobina

ES

La clase de aislamiento identifica la temperatura máxima del bobinado que cada bobina puede soportar para garantizar un funcionamiento normal.

Cuando el bobinado es recorrido por la corriente se calienta debido al efecto Joule; la temperatura varía en función del tiempo durante el cual mantenemos la bobina en funcionamiento.

Aignep utiliza bobina estándar clase H que puede trabajar a una temperatura de +180°C.

Classe de isolamento da bobina

PT

A classe de isolamento identifica a temperatura máxima do enrolamento que cada bobina pode suportar para garantir a operação normal.

Quando o enrolamento é percorrido pela corrente ele se aquece por causa do efeito Joule; o aquecimento varia em função do tempo que a bobina permanece energizada.

A Aignep utiliza bobinas standard de classe H, que podem trabalhar a uma temperatura de enrolamento de +180°C.

TABELLA DI CONVERSIONE DEI VALORI DI PRESSIONE

PRESSURE VALUE CONVERSION TABLE

UMRECHNUNGSTABELLE FÜR DIE DRUCKWERTE

TABLEAU DE CONVERSION DES VALEURS DE PRESSION

TABLA DE CONVERSIÓN DE LOS VALORES DE PRESIÓN

TABELA DE CONVERSÃO DOS VALORES DE PRESSÃO

Bar	Psi	MPa	mH ₂ O	Bar	Psi	Mpa	mH ₂ O
0.1	1.45	0.01	1.02	14	203.00	1.40	142.80
0.2	2.90	0.02	2.04	15	217.50	1.50	153.00
0.3	4.35	0.03	3.06	16	232.00	1.60	163.20
0.4	5.80	0.04	4.08	17	246.50	1.70	173.40
0.5	7.25	0.05	5.10	18	261.00	1.80	183.60
0.6	8.70	0.06	6.12	19	275.50	1.90	193.80
0.7	10.15	0.07	7.14	20	290.00	2.00	204.00
0.8	11.60	0.08	8.16	21	304.50	2.10	214.20
0.9	13.05	0.09	9.18	22	319.00	2.20	224.40
1	14.50	0.10	10.20	23	333.50	2.30	234.60
1.5	21.75	0.15	15.30	24	348.00	2.40	244.80
2	29.00	0.20	20.40	25	362.50	2.50	255.00
2.5	36.25	0.25	25.50	26	377.00	2.60	265.20
3	43.50	0.30	30.60	27	391.50	2.70	275.40
3.5	50.75	0.35	35.70	28	406.00	2.80	285.60
4	58.00	0.40	40.80	29	420.50	2.90	295.80
4.5	65.25	0.45	45.90	30	435.00	3.00	306.00
5	72.50	0.50	51.00	35	507.50	3.50	357.00
5.5	79.75	0.55	56.00	40	580.00	4.00	408.00
6	87.00	0.60	61.20	45	652.50	4.50	459.00
6.5	94.25	0.65	66.30	50	725.00	5.00	510.00
7	101.50	0.70	71.40	55	797.50	5.50	561.00
7.5	108.75	0.75	76.50	60	870.00	6.00	612.00
8	116.00	0.80	81.60	65	942.50	6.50	663.00
8.5	123.25	0.85	86.70	70	1015.00	7.00	714.00
9	130.50	0.90	91.80	75	1087.50	7.50	765.00
9.5	137.75	0.95	96.90	80	1160.00	8.00	816.00
10	145.00	1.00	102.00	85	1232.50	8.50	867.00
11	159.50	1.10	112.20	90	1305.00	9.00	918.00
12	174.00	1.20	122.40	95	1377.50	9.50	969.00
13	188.50	1.30	132.60	100	1450.00	10.00	1020.00

TABELLA DI CONVERSIONE DEI VALORI DI TEMPERATURA

TEMPERATURE VALUES CONVERSION TABLE

UMRECHNUNGSTABELLE DER TEMPERATURWERTE

TABLEAU DE CONVERSION DES VALEURS DE TEMPERATURE

TABLA DE CONVERSIÓN DE VALORES DE TEMPERATURE

TABELA DE CONVERSÃO DE VALORES DE TEMPERATURA

°C	°F	K	°C	°F	K	°C	°F	K
-40	-40	233.15	40	104	313.15	140	284	413.15
-35	-31	238.15	45	113	318.15	150	302	423.15
-30	-22	243.15	50	122	323.15	160	320	433.15
-25	-13	248.15	55	131	328.15	170	338	443.15
-20	-4.0	253.15	60	140	333.15	180	356	453.15
-15	5.0	258.15	65	149	338.15	190	374	463.15
-10	14	263.15	70	158	343.15	200	392	473.15
-5	23	268.15	75	167	348.15	220	428	493.15
0	32	273.15	80	176	353.15	240	464	513.15
5	41	278.15	85	185	358.15	260	500	533.15
10	50	283.15	90	194	363.15	280	536	553.15
15	59	288.15	95	203	368.15	300	572	573.15
20	68	293.15	100	212	373.15	350	662	623.15
25	77	298.15	110	230	383.15	400	752	673.15
30	86	303.15	120	248	393.15	450	842	723.15
35	95	308.15	130	266	403.15	500	932	773.15

VAPORE: TABELLA DI CONVERSIONE PRESSIONE - TEMPERATURA

STEAM: PRESSURE - TEMPERATURE CONVERSION TABLE

DAMPF: DRUCK-TEMPERATUR - UMRECHNUNGSTABELLE

VAPEUR: TABLE DE CONVERSION PRESSION - TEMPÉRATURE

VAPOR: PRESIÓN - TABLA DE CONVERSIÓN DE TEMPERATURA

VAPOR: PRESSÃO - TABELA DE CONVERSÃO DE TEMPERATURA

Pressione relativa Relative pressure Relativdruck Pression relative Presión relative Pressão relative	Pressione assoluta Absolute pressure Absoluter Druck Pression absolue Presión absoluta Pressão absoluta	Temperatura Temperature Temperatur Température Temperatura Temperatura		Volume specifico Specific volume Spezifische Volumen Volume spécifique Volumen específico Volume específico
Bar (G)	Bar (A)	°C	°F	m ³ /Kg
0	1.013	100.0	212.0	1.673
0.1	1.113	102.6	216.7	1.533
0.2	1.213	106.2	223.2	1.414
0.3	1.313	107.4	225.3	1.312
0.5	1.513	111.6	232.9	1.149
0.7	1.713	115.4	239.7	1.024
1.0	2.013	120.4	248.7	0.881
1.5	2.513	127.6	261.7	0.714
2.0	3.013	133.7	272.7	0.603
2.5	3.513	139.0	282.2	0.522
3.0	4.013	143.7	290.7	0.461
3.5	4.513	148.0	298.4	0.413
4.0	5.013	152.0	305.6	0.374
4.5	5.513	155.5	311.9	0.342
5.0	6.013	158.9	318.0	0.315
6.0	7.013	165.0	329.0	0.272
7.0	8.013	170.5	338.9	0.240
8.0	9.013	175.4	347.7	0.215
9.0	10.013	180.0	356.0	0.194
10	11.013	184.1	363.4	0.177

TABELLA DI COMPATIBILITÀ CHIMICA

CHEMICAL COMPATIBILITY TABLE
 CHEMISCHE KOMPATIBILITÄTSTABELLE
 TABLEAU DE COMPATIBILITÉ CHIMIQUE
 TABLA DE COMPATIBILIDAD QUÍMICA
 TABELA DE COMPATIBILIDADE QUÍMICA

SCARICA LA TABELLA COMPLETA

DOWNLOAD THE COMPLETE TABLE
 LADEN SIE DIE KOMPLETTE TABELLE HERUNTER
 TÉLÉCHARGER LE TABLEAU COMPLET
 DESCARGAR LA TABLA COMPLETA
 BAIXE A TABELA COMPLETA



FLUIDS	BODY MATERIAL		SEALS		
	Brass	Stainless Steel AISI 316L	NBR	EPDM	FKM
Acetone - Acetone - Aceton - Acetone - Acétone - Acetone	●	●	●	●	●
Acetylene - Acetilene - Ethin - Acétylène - Acetileno - Acetileno	●	●	●	●	●
Argon	●	●	●	●	●
Benzene - Benzene - Benzol - Benzène - Benceno - Benzeno	●	●	●	●	●
Butane - Butano - n-Butan - Butane - Butano - Butano	●	●	●	●	●
Carbon dioxide dry (gas) - Anidride carbonica - Kohlendioxid trocken - dioxyde de carbone à sec - dióxido de carbono seco	●	●	●	●	●
Carbon dioxide dry (liquid) - Anidride carbonica - Kohlendioxid trocken - dioxyde de carbone à sec - dióxido de carbono seco	●	●	●	●	●
Carbon disulfide - Solfuro di carbonio - Kohlenstoffdisulfid - Disulfure de carbone - Sulfuro de carbono - Dissulfeto de carbono	●	●	●	●	●
Chloroform (100%) - Cloroformio - Chloroform - Chloroforme - Cloroformo - Clorofórmio	●	●	●	●	●
Diesel fuel	●	●	●	●	●
Helium - Elio - Helium - Hélium - Helio - Hélio	●	●	●	●	●
Ethane - Etano - Ethan - Éthane - Etano - Etano	●	●	●	●	●
Ethanol - Etanolo - Ethanol - Éthanol - Etanol - Etanol	●	●	●	●	●
Ethyl acetate - Acetato di etile - Essigsäureethylester - Acétate d'éthyle - Etanoato de etilo - Acetato de etila	●	●	●	●	●
Ethyl chloride - Cloruro di etile - Ethyl-Chlorid - Chlorure d'éthyle - Cloruro de etilo - Cloroto de etilo	●	●	●	●	●
Ethylene glycol - Glicole etilenico - Ethylenglykol - Éthylène glycol - Glicol de etileno - Etileno glicol	●	●	●	●	●
Formaldehyde (100%) - Formaldeide - Formaldehyd - Formaldéhyde - Formaldehído - Formaldeído	●	●	●	●	●
Freon	●	●	●	●	●
Glycerine - Glicerina - Glycerin - Glycérine - Glicerina - Glicerina	●	●	●	●	●
Heptane - Eptano - Heptan - Heptane - Heptano - Heptano	●	●	●	●	●
Hexane - Esano - Hexan - Hexane - Hexano - Hexano	●	●	●	●	●
Hydrogen - Idrogeno - Wasserstoff - Hydrogène - Hidrógeno - Hidrogénio	●	●	●	●	●
Hydrogen peroxide - Acqua Ossigenata - Wasserstoff-Peroxid - Peroxyde d'hydrogène - Peróxido de hidrógeno - Peróxido de hidrogênio	●	●	●	●	●
Isobutane - Isobutano - Isobutan - Isobutane - Isobutano - Isobutano	●	●	●	●	●
Isopentane - Isopentano - Isopentane - Isopentane - Isopentano - Isopentano	●	●	●	●	●
Methane - Metano - Methan - Méthane - Metano - Metano	●	●	●	●	●
Methanol - Metanolo - Methanol - Méthanol - Metanol - Metanol	●	●	●	●	●
Methyl chloride - Clorometano - Chlormethan - Chlorométhane - Clorometano - Clorometano	●	●	●	●	●
Mineral oil - Olio minerale - Mineralöl - Huile minérale - Aceite mineral - Óleo mineral	●	●	●	●	●
Neon	●	●	●	●	●
Nitrobenzene - Nitrobenzene - Nitrobenzol - Nitrobenzène - Nitrobenceno - Nitrobenzeno	●	●	●	●	●
Nitrogen - Azoto - Stickstoff - Azote - Nitrógeno - Nitrogénio	●	●	●	●	●
Oxygen - Ossigeno - Sauerstoff - Oxygène - Oxigeno - Oxigênio	●	●	●	●	●
Pentane - Pentano - Pentan - Pentane - Pentano - Pentano	●	●	●	●	●
Petrol - Benzina - Benzin - Essence - Gasolina - Gasolina	●	●	●	●	●
Propane (LPG) - Propano (GPL) - Propan (LPG) - Propane (GPL) - Propano (GPL) - Propano (GPL)	●	●	●	●	●
Propyl Alcohol - Alcool Propilico - Propyl-Alkohol - Alcool Propylique - Alcohol Propílico - Álcool propílico	●	●	●	●	●
Toluene - Toluene - Toluol - Toluène - Tolueno - Tolueno	●	●	●	●	●
Trichlorethylene dry - Trielina - Trichlorethen - Trichloréthylène - Tricloroetileno - Tricloroetileno	●	●	●	●	●
Vinegar - Aceto - Essig - Vinaigre - Vinagre - Vinagre	●	●	●	●	●
Water demineralized - Acqua demineralizzata - Demineralisiertes Wasser - Eau purifiée - Agua desionizada - Água deionização	●	●	●	●	●
Water (Hard) - Acqua dura - Hartes Wasser - Eau dure - Agua dura - Água dura	●	●	●	●	●
Water (Hot <75°C) - Acqua calda - Heißes Wasser - Eau chaude - Agua caliente - Água quente	●	●	●	●	●
Water (Hot-steam <140°C) - Vapore e acqua calda - Dampf und Heißwasser - Vapeur et eau chaude - Vapor y agua caliente - Vapor e água quente	●	●	●	●	●
Water with glycol - Acqua con glicole - Wasser mit Glykol - Eau avec glycol - Agua con glicol - Água com glicol	●	●	●	●	●
Xylene - Xilene - Xylol - Xylène - Xileno - Xileno	●	●	●	●	●

LEGEND:

● COMPATIBLE - COMPATIBLE - KOMPATIBEL - COMPATIBLE - COMPATIBLE - COMPATÍVEL

● INCOMPATIBLE - INCOMPATIBLE - UNVEREINBAR - INCOMPATIBLE - INCOMPATIBLE - INCOMPATÍVE.

● CHIEDERE ALL'UFFICIO TECNICO - ASK TO TECHNICAL DEPARTMENT - KONTAKTIEREN SIE UNS - VEUILLEZ NOUS CONSULTER - CONTACTAR EL DEPARTAMENTO TÉCNICO
 CONSULTE O DEPARTAMENTO TÉCNICO.

CARATTERISTICHE MATERIALI DI TENUTA

SEALING MATERIALS FEATURES

EIGENSCHAFTEN VON DICHTUNGSMATERIALIEN

CARACTÉRISTIQUES DES MATÉRIAUX D'ÉTANCHÉITÉ

CARACTERÍSTICAS DE LOS MATERIALES DE SELLADO

CARACTERÍSTICAS DOS MATERIAIS DE VEDAÇÃO

Materiale tenute Sealing materials Dichtungsmaterialien Matériaux d'étanchéité Materiales de sellado Materiais de vedação	Temperatura Temperature Temperatur Température Temperatura Temperatura		Fluidi Fluids Flüssigkeiten Fluides Fluidos Fluidos
	min	max	
NBR	-10°C	+90°C	Aria, gas inerti, acqua, oli minerali, gasolio, oli combustibili Air, inert gases, water, mineral oils, diesel, fuel oils Luft, Edelgase, Wasser, Mineralöle, Diesel, Heizöl, Kraftstoffe Air, gas neutres, eau, huiles minerales, diesel, mazout Aire, gas inerte, agua, aceites minerales, gasóleo, fueloil Ar, gases inertes, água, óleos minerais, gasóleo, óleos combustíveis
NBR 	-40°C	+90°C	Aria, gas inerti, acqua, oli minerali, gasolio, oli combustibili Air, inert gases, water, mineral oils, diesel, fuel oils Luft, Edelgase, Wasser, Mineralöle, Diesel, Heizöl, Kraftstoffe Air, gas neutres, eau, huiles minerales, diesel, mazout Aire, gas inerte, agua, aceites minerales, gasóleo, fueloil Ar, gases inertes, água, óleos minerais, gasóleo, óleos combustíveis
FKM	-10°C	+140°C	Oli minerali, benzina, oli combustibili Mineral oils, gasoline, diesel, fuel oils Mineralöle, Benzin, Kraftstoffe Huiles minerales, essence, mazout Aceites minerales, gasolina, fueloil Óleos minerais, gasolina, óleos combustíveis
EPDM	-10°C	+140°C	Acqua calda, vapore (pressione max 2.5 bar) Hot water, steam (max pressure 2.5 bar) Warmwasser, Dampf (max betriebsdruck 2.5 bar) Eau chaude, vapeur (pression de service max 2.5 bar) Agua caliente, vapor (presión máx 2.5 bar) Água quente, vapor (pressão máx 2.5 bar)
PTFE	-40°C	+180°C	Vapore (pressione max 10 bar), solventi, fluidi aggressivi Steam (max pressure 10 bar), solvents, aggressive fluids Dampf (max druck 10 bar), lösungsmittel, aggressive flüssigkeiten Vapeur (pression max 10 bar), solvants, fluides agressifs Vapor (presión máxima 10 bar), disolventes, y fluidos agresivos Vapor (pressão máx 10 bar), solventes, fluidos agressivos
RUBY	-40°C	+180°C	Acqua, acqua calda, acqua demineralizzata, vapore (pressione max 10 bar), fluidi aggressivi Water, hot water, demineralized water, steam (max pressure 10 bar), aggressive fluids Wasser, Warmwasser, entmineralisiertes Wasser, Dampf (max betriebsdruck 10 bar), aggressive Flüssigkeiten Eau, eau chaude, eau déminéralisée, vapeur (pression de service max 10 bar), fluides agressifs Agua, agua caliente, agua desmineralizada, vapor (presión máxima 10 bar), fluidos agresivos Água, água quente, água desmineralizada, vapor (pressão máx 10 bar), fluidos agressivos


Tempi di risposta
IT

Si definisce tempo di risposta all'apertura (o alla chiusura) di una elettrovalvola, l'intervallo di tempo che intercorre tra l'inserzione elettrica (o la disinserzione) e l'istante in cui la pressione in uscita (o in ingresso) raggiunge il 50% del valore massimo.

Response times
GB

The response time of the opening (or closing) of a solenoid valve is defined as the time interval between the electrical insertion (or disconnection) and the moment in which the outlet (or inlet) pressure reaches 50% of the maximum value.

Reaktionszeit
DE

Die Ansprechzeit zum Öffnen (oder Schließen) eines Magnetventils ist definiert als das Zeitintervall zwischen dem elektrischen Einschalten (oder Ausschalten) und dem Zeitpunkt, zu dem der Auslass- (oder Einlass-) Druck 50% des Höchstwertes erreicht.

Temps de réponse
FR

Le temps de réponse à l'ouverture (ou à la fermeture) d'une électrovanne est défini comme l'intervalle de temps entre la connexion électrique (ou déconnexion) et l'instant auquel la pression de sortie (ou d'entrée) atteint 50% de la valeur maximale.

Tiempo de respuesta
ES

Se define como tiempo de respuesta a la apertura (o cierre) de una electroválvula, el intervalo de tiempo que transcurre de la inserción eléctrica (o desconexión) y el instante en el cual la presión de salida (o entrada) alcanza el 50% del valor máximo.

Tempos de resposta
PT

Se define como tempo de resposta à abertura (ou fechamento) de uma eletroválvula, o intervalo de tempo que corre entre energização (ou desligamento) elétrico e o instante em que a pressão de saída (ou entrada) atinge 50% do valor máximo.

Tipo di valvola Valves type Ventiltyp Type de vanne Tipo de válvula Tipo de válvula	Tempi di risposta Response times Reaktionszeit Temps de réponse Tiempos de respuesta Tempos de resposta		Note
	Open	Close	
Azionamento diretto NC Direct acting NC Direktwirkend NC Action directe NC Acción directa NC Ação direta NC 2/2 - 3/2	~ 10 ms	~ 20 ms	I tempi possono variare a seconda del fluido utilizzato (gas o liquido), della pressione, della portata, della viscosità e del tipo di tensione (AC o DC). <i>Response times may vary according to the fluid (gas or liquid), pressure, flow rate, viscosity and voltage supply (AC or DC).</i> <i>Die Reaktionszeiten können je nach Fluid (Gas oder Flüssigkeit), Druck, Durchflussmenge, Viskosität und Spannungsversorgung (AC oder DC).</i> <i>Les temps de réponse peuvent varier selon le fluide (gaz ou liquide), pression, débit, viscosité et tension d'alimentation (AC ou DC).</i> <i>El tiempo de respuesta varía según el fluido utilizado (gas o líquido), de la presión, del caudal, de la viscosidad y del tipo de tensión (AC o CC)</i> <i>Os tempos podem variar segundo o fluido utilizado (gás ou líquido), da pressão, da vazão, da viscosidade e do tipo de tensão (AC ou DC).</i>
Azionamento diretto NA Direct acting NO Direktwirkend NO Action directe NO Acción directa NO Ação direta NO 2/2 - 3/2	~ 20 ms	~ 10 ms	
Servo-azionate NC Servo-assisted NC Servogesteuertes NC Servo-assistée NC Servo-asistido NC Servo-pilotada NC 1/4" → 2"	50 ms → 500 ms	70 ms → 600 ms	
Servo-azionate NA Servo-assisted NO Servogesteuertes NO Servo-assistée NO Servo-asistido NO Servo-pilotada NO 1/4" → 2"	70 ms → 600 ms	50 ms → 500 ms	

**INSTALLAZIONE E MANUTENZIONE - INSTALLATION AND MAINTENANCE - INSTALATIONS UND WARTUNGSHINWEISE
INSTALLATION ET MAINTENANCE - INSTALACION Y MANTENIMIENTO - INSTALAÇÃO E MANUTENÇÃO**
IT
AVVERTENZE PER L'INSTALLAZIONE

- 1 Prima di procedere all'installazione assicurarsi che il modello valvola sia idoneo per l'utilizzo nell'applicazione, verificando che fluido, temperature, pressioni e portate di esercizio non eccedano i valori indicati nelle tabelle tecniche riportate sul catalogo Aignep ed anche sul sito web www.aignep.com.
- 2 Accertarsi che la valvola sia correttamente dimensionata rispetto alle tubazioni utilizzate e che il flusso scorra nella direzione indicata dalla freccia sul corpo valvola.
- 3 Assicurarsi che nel fluido non ci siano corpi estranei o impurità che possano ostruire il passaggio e compromettere la funzionalità delle valvole; Aignep consiglia sempre l'installazione di un filtro a monte.
- 4 Per fluidi e ambienti corrosivi accertarsi che tutti i materiali siano compatibili (contattare Aignep in caso di dubbi o ulteriori informazioni).
- 5 E' consigliato installare la valvola in posizione orizzontale con l'operatore rivolto verso l'alto per evitare che possibili impurità si depositino nel tubo guida dell'elettrovalvola.
- 6 Durante l'installazione sulle tubazioni:
 - 6.1 Assicurarsi che le tubazioni siano prive di pressione;
 - 6.2 Assemblare la valvola con i tubi e/o raccordi le cui filettature siano compatibili con la connessione;
 - 6.3 Evitare qualsiasi tipo di torsione o forzatura sulla valvola;
 - 6.4 Non utilizzare il tubo guida come presa per avvitare la valvola;
 - 6.5 Accertarsi che le connessioni con la tubazione siano prive di perdite (utilizzare sigillanti o nastri PTFE appropriati; prestare attenzione ai sigillanti liquidi che possono ostruire gli orifici di funzionamento della valvola);
 - 6.6 Accertarsi che la valvola non sia sottoposta a sollecitazioni e vibrazioni.
- 7 Si consiglia l'installazione della valvola in posizioni agevoli, così da permettere la semplice manutenzione o sostituzione della bobina.
- 8 Evitare che la valvola venga immersa in liquidi o sia esposta a getti d'acqua o vapore.
- 9 Si sconsiglia l'utilizzo delle valvole servo-azionate con scarico libero, se non opportunamente dimensionate
- 10 In caso di condensa utilizzare il kit anti-umidità (vedi catalogo Aignep).
- 11 **ATTENZIONE:** a garanzia delle prestazioni indicate si raccomanda di utilizzare valvole e bobine Aignep.

COLLEGAMENTO ELETTRICO

- 1 La bobina, quando installata sull'operatore, può essere roteata sul suo asse per collocarla nella posizione desiderata. Una volta trovata la posizione più idonea, assicurare la bobina fissando il dado all'operatore con una coppia massima di 5 Nm.
- 2 Collegare correttamente la bobina con gli appositi connettori, prestando attenzione alla messa a terra.
- 3 Le bobine Aignep sono idonee per il servizio continuo ED 100%.

TEMPERATURE

- 1 Nonostante le bobine siano conformi alle alte temperature, è sempre consigliato installare le valvole lontano da fonti di calore onde evitare surriscaldamenti eccessivi.
- 2 Verificare sempre sul catalogo le temperature di impiego e nel dubbio consultare Aignep.
- 3 Le temperature di impiego devono tenere conto dell'ambiente e anche delle temperature dei fluidi.
- 4 **ATTENZIONE:** quando eccitate le bobine tendono riscaldarsi; evitare di toccare con le mani.
- 5 **ATTENZIONE:** in caso di installazione con temperatura ambiente < 0°C, il congelamento del fluido può causare seri danni all'elettrovalvola.

MANUTENZIONE

- 1 Prima di effettuare qualsiasi tipo di manutenzione o smontaggio, onde evitare possibili danni alle persone o oggetti circostanti, accertarsi di aver scaricato la pressione nel circuito.
- 2 Assicurarsi che la bobina sia diseccitata.
- 3 Rimuovere il dado utilizzando la chiave esagonale della misura corretta e sfilare la bobina.
- 4 Rimuovere il kit operatore con l'apposita chiave esagonale; si consiglia di non utilizzare utensili che possano danneggiare il kit operatore.
- 5 Nella versione a membrana rimuovere anche il coperchio svitando le n. 4 viti.
- 6 Ispezionare la valvola pulendo i singoli componenti da eventuali corpi estranei e sostituire i particolari usurati o corrosi dall'utilizzo; si consiglia di utilizzare solo ricambi originali Aignep.
- 7 Accertarsi che tutti i componenti siano installati correttamente e quindi procedere alla chiusura della valvola.
- 8 Per l'installazione del kit operatore sul corpo valvola e del dado di fissaggio della bobina, utilizzare rispettivamente le coppie di serraggio max di 10 Nm e 5 Nm.

GB
INSTALLATION'S WARNINGS

- 1 Before to proceed with the installation, make sure that the valve model is suitable for the use in the application, verifying that fluid, temperatures, pressures and operating flow rates doesn't exceed the values indicated in the technical tables shown in the Aignep catalog and also on the website www.aignep.com.
- 2 Make sure that the valve is correctly sized for the piping used and that the flow is flowing in the direction indicated by the arrow on the valve body.
- 3 Make sure that there aren't foreign bodies or impurities in the fluid that could obstruct the passage and compromise the functionality of the valves; Aignep always recommends a filter installation upstream.
- 4 For corrosive fluids and environments make sure that all the materials are compatible (contact Aignep in case of doubt or further information).
- 5 It is recommended to install the valve in a horizontal position with the operator facing upwards to prevent possible impurities from depositing in the armature tube of the solenoid valve.
- 6 During the installation on the pipes:
 - 6.1 Make sure that the pipes are pressureless;
 - 6.2 Assemble the valve with the pipes and/or fittings whose threads are compatible with the connection;
 - 6.3 Avoid any kind of torsion or forcing on the valve;
 - 6.4 Do not use the armature tube as a socket for screwing the valve;
 - 6.5 Make sure that the connections to the piping are free of leaks (use appropriate PTFE sealants or tapes; pay attention to liquid sealants that can clog the valve operating orifices);
 - 6.6 Make sure that the valve is not subjected to stresses and vibrations.
- 7 It is recommended to install the valve in easy positions, to allow simple maintenance or replacement of the coil.
- 8 Avoid the valve being immersed in liquids or exposed to jets of water or steam.
- 9 The use of servo-assisted valves with free exhaust is not recommended, unless suitably sized.
- 10 In case of condensation, use the anti-humidity kit (see Aignep catalog).
- 11 **WARNING:** to guarantee the indicated performances it is recommended to use Aignep's valves and coils.

ELECTRICAL CONNECTIONS

- 1 The coil, when installed on the operator, can be rotated on its axis to place it in the desired position. Once the most suitable position is identified, anchor the coil by fixing the nut to the operator, with a maximum torque of 5 Nm.
- 2 Connect the coils correctly with the appropriate connectors, paying attention to the grounding.
- 3 Aignep coils are suitable for continuous service ED 100%.

TEMPERATURES

- 1 Although the coils conform to high temperatures, it is always recommended to install the valves away from heat sources to avoid excessive overheating.
- 2 Always check the operating temperatures in the catalog and if in doubt consult Aignep.
- 3 The temperatures of use must take into account the environment and also the temperatures of the fluids.
- 4 **WARNING:** when energized the coils tend to overheat. Do not touch them with your hands.
- 5 **WARNING:** in case of installation with ambient temperature < 0°C, the freezing of the fluid may cause serious damage to the solenoid valve.

MAINTENANCE

- 1 Before carrying out any type of maintenance or disassembly, in order to avoid possible damage to people or surrounding objects, make sure that the pressure in the circuit has been released.
- 2 Make sure the coil is de-energized.
- 3 Remove the nut using the correct size hex wrench and slide off the coil.
- 4 Remove the operator kit with the appropriate hex wrench; it is advisable not to use tools that could damage the operator kit.
- 5 In the diaphragm version remove also the cover by unscrewing the n. 4 screws.
- 6 Inspect the valve by cleaning the individual components from possible foreign bodies and replace the parts worn or corroded by the use; it is recommended to use original Aignep spare parts only.
- 7 Make sure all the components are correctly installed and then close the valve.
- 8 To fix the operator kit on the valve body and the coil fixing nut, use respectively a maximum tightening torque of 10 Nm and 5 Nm.

WARNHINWEISE ZUR INSTALLATION

- 1 Bevor Sie mit der Installation beginnen, vergewissern Sie sich, dass das Ventilmodell für die Anwendung geeignet ist. Überprüfen sie, dass die Flüssigkeit, die Temperaturen, die Drücke und die Betriebskapazität die in den technischen Tabellen im Aignep-Katalog und auf unserer Website www.aignep.com die angegebenen Werte nicht überschreiten.
- 2 Vergewissern Sie sich, dass das Ventil die richtige Größe für die verwendeten Rohre hat und dass der Durchfluss in die Richtung erfolgt, die durch die Pfeile auf dem Ventilgehäuse angegeben ist.
- 3 Vergewissern Sie sich, dass die Flüssigkeit keine Fremdkörper oder Verunreinigungen enthält, die den Durchfluss behindern und die Funktionsfähigkeit der Ventile beeinträchtigen können. Aignep rät, einen Filter immer mit Steigung zu installieren.
- 4 Bei korrosiven Flüssigkeiten und Umgebungen sicherstellen, dass alle Materialien kompatibel sind (im Zweifelsfall oder für weitere Informationen Aignep kontaktieren).
- 5 Es ist ratsam, das Ventil in horizontaler Lage mit nach oben gerichtetem Antrieb zu installieren, um zu verhindern, dass sich eventuelle Verunreinigungen im Führungsrohr des Magnetventils ablagern.
- 6 Bei der Montage an den Rohren:
 - 6.1 Stellen Sie sicher, dass die Rohre drucklos sind;
 - 6.2 Montieren Sie das Ventil mit Schläuchen/Rohren und/oder Anschlüssen, deren Gewinde mit dem Anschluss kompatibel ist;
 - 6.3 Vermeiden Sie jede Art von Torsion oder Gewaltanwendung auf das Ventil;
 - 6.4 Verwenden Sie das Führungsrohr nicht als Auslass, um das Ventil zu verschrauben;
 - 6.5 Stellen Sie sicher, dass die Verbindungen mit den Schläuchen/Rohren keine Lecks aufweisen (verwenden Sie geeignete Dichtungsprodukte oder PTFE-Bänder; seien Sie besonders vorsichtig mit flüssigen Dichtungsprodukten, da diese die Öffnungen des Ventils verstopfen können);
 - 6.6 Stellen Sie sicher, dass das Ventil keinen Belastungen und Vibrationen ausgesetzt ist.
- 7 Es ist ratsam, das Ventil an einer leicht zugänglichen Stelle zu installieren, um die Wartung und den Austausch der Spule zu erleichtern.
- 8 Das Ventil darf nicht in Flüssigkeiten getaucht werden und keinem Wasser- oder Dampfstrahl ausgesetzt werden.
- 9 Die Verwendung von servounterstützten Ventilen mit freiem Auslass wird nicht empfohlen, wenn nicht angemessen dimensioniert.
- 10 Im Falle von Kondenswasserbildung ist das Anti-Feuchtigkeits-Kit zu verwenden (siehe Aignep-Katalog).
- 11 **WARNUNG:** um die angegebenen Leistungen zu gewährleisten, wird empfohlen, Ventile und Spulen von Aignep zu verwenden

ELEKTRISCHE ANSCHLÜSSE

- 1 Die Spule kann, wenn sie am Antrieb installiert ist, um ihre Achse gedreht werden, bis sie sich in der gewünschten Position befindet. Sobald die am besten geeignete Position gefunden ist, die Spule durch Befestigung der Mutter am Antrieb mit einem maximalen Drehmoment von 5 Nm befestigen.
- 2 Schließen Sie die Spule mit ihren Anschlüssen korrekt an. Achten Sie besonders auf die Erdung.
- 3 Aignep-Spulen sind für den Dauerbetrieb ED 100% geeignet.

TEMPERATUREN

- 1 Obwohl die Spulen für hohe Temperaturen geeignet sind, ist es immer ratsam, sie nicht in der Nähe von Wärmequellen zu installieren, um eine übermäßige Überhitzung zu vermeiden.
- 2 Überprüfen Sie immer die Gebrauchstemperaturen im Katalog. Im Zweifelsfall wenden Sie sich bitte an Aignep.
- 3 Bei den Betriebstemperaturen müssen die Umgebung und die Temperatur der Flüssigkeiten berücksichtigt werden.
- 4 **WARNUNG:** Bei Erregung neigen die Spulen zur Überhitzung. Berühren Sie sie nicht mit Ihren Händen.
- 5 **WARNUNG:** Bei einer Installation mit Umgebungstemperatur < 0°C kann das Einfrieren der Flüssigkeit zu schweren Schäden am Magnetventil führen.

WARTUNG

- 1 Vor jeder Art von Wartung oder Demontage, um mögliche Schäden an Personen oder Gegenständen in der Nähe zu vermeiden, sicherstellen, dass der gesamte Druck mit Steigung zum Magnetventil abgelassen wurde.
- 2 Stellen Sie sicher, dass die Spule nicht erregt ist.
- 3 Entfernen Sie die Mutter mit einem Inbusschlüssel der richtigen Größe, und schieben Sie die Spule heraus.
- 4 Entfernen Sie den Antriebsatz mit dem passenden Inbusschlüssel. Verwenden Sie keine Werkzeuge, die das Bediener-Kit beschädigen können.
- 5 Bei der Membranversion entfernen Sie auch den Deckel, indem Sie die 4 Schrauben abschrauben.
- 6 Überprüfen Sie das Ventil, reinigen Sie alle Teile und entfernen Sie alle Fremdkörper, die möglicherweise vorhanden sind. Ersetzen Sie verschlissene oder korrodierte Teile; es ist ratsam, nur Originalteile von Aignep zu verwenden.
- 7 Vergewissern Sie sich, dass alle Teile korrekt installiert sind, und schließen Sie das Ventil.
- 8 Zur Befestigung des Bediensatzes am Ventilkörper und der Schraubenbefestigungsmutter ein maximales Anzugsmoment von 10 Nm und 5 Nm verwenden.

AVERTISSEMENTS CONCERNANT L'INSTALLATION

- 1 Avant de procéder à l'installation, assurez-vous que le modèle de vanne est adapté à l'utilisation dans l'application, en vérifiant que le fluide, les températures, les pressions et la capacité de fonctionnement ne dépassent pas les valeurs indiquées dans les tableaux techniques du catalogue Aignep et sur notre site internet www.aignep.com.
- 2 Assurez-vous que la vanne est de la bonne taille pour les tubes utilisés et que le débit est dans le sens indiqué par les flèches sur le corps de la vanne.
- 3 Assurez-vous que le fluide ne contient pas de corps étrangers ou d'impuretés susceptibles d'obstruer le passage et de compromettre le fonctionnement des vannes. Aignep conseille toujours d'installer un filtre en amont.
- 4 Pour les fluides et environnements corrosifs, s'assurer que tous les matériaux sont compatibles (contacter Aignep en cas de doute ou pour plus d'informations).
- 5 Il est conseillé d'installer la vanne en position horizontale, avec l'opérateur tourné vers le haut pour éviter que d'éventuelles impuretés ne se déposent dans le tube de guidage de l'électrovanne.
- 6 Lors de l'installation sur les tubes/tuyaux:
 - 6.1 S'assurer que les tuyaux sont sans pression;
 - 6.2 Assembler la vanne avec des tubes/tuyaux et/ou raccords dont le filetage est compatible avec le taraudage;
 - 6.3 Éviter tout type de torsion ou de forçage sur la vanne;
 - 6.4 Ne pas utiliser le tube de guidage comme sortie pour visser la valve;
 - 6.5 S'assurer que les raccords avec les tubes/tuyaux ne présentent pas de fuites (utiliser des produits d'étanchéité appropriés ou des bandes PTFE; être particulièrement prudent avec les produits d'étanchéité liquides, car ils peuvent obstruer les orifices de la vanne);
 - 6.6 Assurez-vous que la vanne n'est pas soumise à des contraintes et à des vibrations.
- 7 Il est conseillé d'installer la vanne dans une position facilement accessible pour faciliter la maintenance et le remplacement de la bobine.
- 8 Ne laissez pas la vanne être immergée dans des liquides ou exposée à des jets d'eau ou de vapeur.
- 9 L'utilisation de vannes servo-assistées avec échappement libre n'est pas recommandée, si elle n'est pas suffisamment dimensionnée.
- 10 En cas de condensation, utiliser le kit anti-humidité (voir catalogue Aignep).
- 11 **ATTENTION:** pour garantir les performances indiquées, il est recommandé d'utiliser les vannes et bobines d'Aignep.

CONNEXIONS ELECTRIQUES

- 1 La bobine, lorsqu'elle est installée sur l'opérateur, peut être tournée sur son axe jusqu'à ce qu'elle soit dans la position souhaitée. Une fois la position la plus appropriée identifiée, maintenez la bobine en fixant l'écrou à l'opérateur, avec un couple maximum de 5 Nm.
- 2 Raccorder correctement la bobine à l'aide de ses connecteurs. Soyez particulièrement attentif à la mise à la terre.
- 3 bobines Aignep sont adaptées pour un service constant ED 100%.

TEMPÉRATURES

- 1 Bien que les bobines soient conformes aux hautes températures, il est toujours conseillé de les installer loin des sources de chaleur, pour éviter une surchauffe excessive.
- 2 Vérifiez toujours sur le catalogue les températures d'utilisation. En cas de doute, contactez Aignep.
- 3 Les températures de fonctionnement doivent tenir compte de l'environnement et de la température des fluides.
- 4 **ATTENTION:** lorsqu'elles sont sous tension, les bobines ont tendance à surchauffer. Ne les touchez pas avec vos mains.
- 5 **ATTENTION:** en cas d'installation à température ambiante < 0°C, le gel du liquide peut endommager gravement la vanne électromagnétique.

MAINTENANCE

- 1 Avant tout type d'entretien ou de démontage, pour éviter d'éventuels dommages aux personnes ou aux objets à proximité, assurez-vous que toute la pression en amont de l'électrovanne a été purgée.
- 2 Assurez-vous que la bobine n'est pas sous tension.
- 3 Retirez l'écrou à l'aide de la clé Allen de la taille appropriée, puis faites glisser la bobine vers l'extérieur.
- 4 Retirez le kit de l'opérateur avec la clé Allen appropriée. N'utilisez pas d'outils susceptibles d'endommager le kit de l'opérateur.
- 5 Dans la version à membrane, retirez également le couvercle en dévissant les 4 vis.
- 6 Inspectez la vanne, nettoyez chaque pièce et enlevez tous les corps étrangers éventuellement présents. Remplacer les pièces usées ou corrodées ; il est conseillé de n'utiliser que des pièces d'origine Aignep.
- 7 Assurez-vous que toutes les pièces sont correctement installées, puis fermez la vanne.
- 8 Pour fixer le kit opérateur sur le corps de la vanne et l'écrou de fixation de la bobine, utiliser respectivement un couple de serrage maximal de 10 Nm et 5 Nm.

ADVERTENCIAS PARA LA INSTALACION

- 1 Antes de proceder a la instalación asegurarse que el modelo de la válvula es el adecuado para utilizar en la aplicación, verificando que el fluido, temperatura, presión y caudal de ejercicio no excede los valores indicados en la tabla técnica que se muestran en el catálogo de Aignep y también en el sitio web www.aignep.com.
- 2 Asegúrese de que la válvula tenga el tamaño correcto con las tuberías utilizadas y que el flujo circule en la dirección indicada por la flecha en el cuerpo de la válvula.
- 3 Asegúrese de que no haya cuerpos extraños o impurezas en el fluido que puedan obstruir el paso y comprometer la funcionalidad de las válvulas; Aignep siempre recomienda instalar un filtro al inicio de la instalación.
- 4 Para fluidos y ambientes corrosivos asegurarse de que todos los materiales sean compatibles (contactar con Aignep en caso de duda o más información).
- 5 Es aconsejable instalar la válvula en posición horizontal con el operador hacia arriba para evitar que se depositen posibles impurezas en el tubo guía de la electroválvula.
- 6 Durante la instalación de las tuberías:
 - 6.1 Asegúrese de que las tuberías no tienen presión;
 - 6.2 Montar la válvula con los tubos y/o accesorios cuyas roscas sean compatibles con la conexión.
 - 6.3 Evitar cualquier tipo de torsión o fuerza sobre la válvula.
 - 6.4 No utilizar el tubo guía como enchufe para atornillar la válvula.
 - 6.5 Asegúrese de que las conexiones con las tuberías están libres de fugas (use selladores o cintas de PTFE; preste atención a los selladores líquidos que pueden obstruir los orificios de operación de la válvula).
 - 6.6 Asegúrese de que la válvula no está sujeta a tensiones ni vibraciones.
- 7 Recomendamos la instalación de la válvula en posiciones cómodas para permitir un mantenimiento o reemplazo sencillo de la bobina.
- 8 Evite que la válvula se sumerja en líquidos o quede expuesta a chorros de agua o vapor.
- 9 No se recomienda el uso de válvulas servoaccionadas con descarga libre si no están adecuadamente dimensionadas.
- 10 En caso de condensación utilizar el kit anti-humedad (ver catálogo Aignep).
- 11 ATENCIÓN: para garantizar las prestaciones indicadas se recomienda utilizar las válvulas y bobinas de Aignep

CONEXION ELECTRICA

- 1 La bobina, cuando está instalado en el operador, se puede girar sobre su eje para colocarla en la posición deseada. Una vez haya encontrado la posición más adecuada, asegure la bobina fijando la tuerca al operador con una fuerza máxima de 5 Nm.
- 2 Ensamblar adecuadamente la bobina con los conectores adecuados, prestando atención a la conexión de masa a tierra
- 3 Las bobinas Aignep son idóneas para un servicio continuado 100%ED.

TEMPERATURA

- 1 Aunque las bobinas soportan altas temperaturas, es siempre aconsejado instalar las válvulas lejos de fuentes de calor para evitar un sobre calentamiento excesivo.
- 2 Compruebe siempre las temperaturas de funcionamiento en el catálogo y en caso de duda consulte a Aignep
- 3 Las temperaturas de uso deben tener en cuenta el ambiente y también las temperaturas de los fluidos.
- 4 ATENCIÓN: cuando están conectada, las bobinas tienden a calentarse; evitar tocar con las manos.
- 5 ATENCIÓN: en caso de instalación con temperatura ambiente < 0°C, la congelación del fluido puede causar daños graves a la válvula solenoide.

MANUTENIMIENTO

- 1 Antes de efectuar cualquier tipo de mantenimiento o desmontaje, para evitar posible daños a las personas o a los objetos del entorno, asegúrese de haber liberado la presión del circuito.
- 2 Asegúrese de que la bobina no tenga corriente.
- 3 Retire la tuerca con la llave hexagonal del tamaño correcto y saque la bobina.
- 4 Retire el kit del operador con la llave adecuada; se aconseja no utilizar herramientas que puedan dañar el kit operador.
- 5 En la versión de membrana quitar también la tapa desenroscando los 4 tornillos.
- 6 Inspeccione la válvula limpiando los componentes individuales de cualquier cuerpo extraño y reemplace las partes desgastadas o corroídas por el uso; se recomienda utilizar únicamente repuestos originales Aignep.
- 7 Asegúrese de que todos los componentes están instalados correctamente y luego cierre la válvula.
- 8 Para fijar el kit del operador en el cuerpo de la válvula y la tuerca de fijación de la bobina, utilice respectivamente un par de apriete máximo de 10 Nm y 5 Nm.

ADVERTÊNCIA PARA A INSTALAÇÃO

- 1 Antes de iniciar a instalação assegure-se que o modelo da válvula seja adequado para a utilização na aplicação. Deve-se confirmar que o fluido, a temperatura, pressões e vazão de trabalho não excedam os valores indicados nas tabelas técnicas presentes no catálogo Aignep e também no site www.aignep.com.
- 2 Confirme que a válvula esteja corretamente dimensionada com relação às tubulações utilizadas e que o fluxo siga a direção indicada pela seta gravada no corpo da válvula.
- 3 Assegure-se que no fluido não existam corpos estranhos ou impurezas que possam obstruir a passagem e comprometer a funcionalidade das válvulas; a Aignep aconselha sempre a instalação de um filtro na linha.
- 4 Para fluidos e ambientes corrosivos confirme que todos os materiais sejam compatíveis (contatar a Aignep em caso de dúvidas ou maiores informações).
- 5 É aconselhável instalar a válvula na posição horizontal com o operador virado para cima para evitar que possíveis impurezas se depositem no tubo guia da eletroválvula.
- 6 Durante a instalação nas tubulações:
 - 6.1 Certifique-se de que os tubos não têm pressão;
 - 6.2 Montar a válvula com tubos e/ou conexões cujas roscas sejam compatíveis.
 - 6.3 Evitar qualquer tipo de torsão ou esforço excessivo na válvula.
 - 6.4 Não utilizar o tubo guia como apoio para parafusar a válvula.
 - 6.5 Certificar-se que as conexões com a tubulação estejam sem vazamentos (utilizar vedante ou fita de PTFE apropriados; prestar atenção aos vedantes líquidos que possam obstruir os orifícios de funcionamento da válvula).
 - 6.6 Certificar-se que a válvula não seja sujeita a esforços e vibrações.
- 7 É aconselhável a instalação da válvula em locais de fácil acesso, de forma a permitir manutenção simples ou substituição rápida da bobina.
- 8 Evitar que a válvula seja imersa em líquidos ou seja exposta a jatos d'água ou vapor.
- 9 Não recomendamos o uso de válvulas servo-operadas com descarga livre, se não devidamente dimensionadas.
- 10 Em caso de condensado, utilizar o kit anti-umidade (ver catálogo Aignep).
- 11 ATENÇÃO: para garantir os desempenhos indicados, recomenda-se usar as válvulas e bobinas de Aignep

LIGAÇÃO ELÉTRICA


- 1 A bobina, quando instalada no operador, pode ser girada no eixo para ser colocada na posição desejada. Uma vez encontrada a posição ideal, prenda a bobina fixando a porca ao operador com um torque máximo de 5 Nm.
- 2 Ligue corretamente a bobina com os conectores apropriados, prestando atenção ao aterramento.
- 3 As bobinas da Aignep são adequadas para o trabalho contínuo - ED 100%.

TEMPERATURAS

- 1 Embora as bobinas sejam compatíveis à altas temperaturas, é sempre aconselhável instalar as válvulas longe de fontes de calor para evitar um super-aquecimento excessivo.
- 2 Verificar sempre no catálogo as temperaturas de aplicação e em caso de dúvidas consultar a Aignep.
- 3 As temperaturas de trabalho devem levar em conta o ambiente e também as temperaturas dos fluidos.
- 4 ATENÇÃO: quando ligadas, as bobinas tendem a esquentar; evite tocá-las.
- 5 ATENÇÃO: em caso de instalação com temperatura ambiente < 0°C, o congelamento do fluido pode causar sérios danos à válvula solenóide.

MANUTENÇÃO

- 1 Antes de efetuar qualquer tipo de manutenção ou desmontagem, para evitar possíveis danos a pessoas ou objetos ao redor, certifique-se de ter despressurizado o circuito.
- 2 Assegure-se que a bobina esteja desenergizada.
- 3 Remova a porca utilizando a chave hexagonal da medida correta e retire a bobina.
- 4 Remover o kit do operador com a chave hexagonal apropriada; é aconselhável de não utilizar ferramentas que possam danificar o kit do operador.
- 5 Na versão com membrana, remova também a tampa soltando os 4 parafusos.
- 6 Inspeccionar a válvula limpando os componentes individuais de quaisquer corpos estranhos. Substitua as peças desgastadas ou corroídas pelo uso; recomenda-se utilizar apenas peças de reposição originais Aignep.
- 7 Certifique-se que todos os componentes estejam instalados corretamente e então feche novamente a válvula.
- 8 Para fixar o kit do operador no corpo da válvula e na porca de fixação da bobina, use respectivamente um torque de aperto máximo de 10 Nm e 5 Nm.





2/2 NC

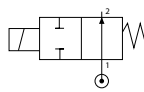


1/8" - 1/4"

Pag. 1.4





2/2 NO



1/8" - 1/4"

Pag. 1.6





3/2 NC

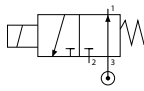


1/8" - 1/4"

Pag. 1.8





3/2 NO



1/8" - 1/4"

Pag. 1.10




22 mm

Serie A

Pag. 19.2




30 mm

Serie B

Pag. 19.3




30 mm

Serie X

Pag. 19.4




Connectors

Pag. 19.9 / 19.10



ELETTROVALVOLE AD AZIONAMENTO DIRETTO CON CORPO IN OTTONE*DIRECT ACTING SOLENOID VALVES WITH BRASS BODY**MAGNETVENTILE MIT DIREKTER BETÄTIGUNG MIT MESSINGGEHÄUSE**ÉLECTROVANNES À COMMANDE DIRECTE AVEC CORPS EN LAITON**ELECTROVÁLVULAS DE ACCIONAMIENTO DIRECTO CON CUERPO DE LATÓN**ELETROVÁLVULAS DE ACIONAMENTO DIRETO COM CORPO DE LATÃO***II 2 G/D Ex h****C US
CSA C22.2****Serie 01F**

Le elettrovalvole serie 01F - azionamento diretto con corpo filettato in ottone - si identificano per l'affidabilità nelle prestazioni che ne consentono l'utilizzo in una vasta gamma di applicazioni.

Dal design compatto, offrono prestazioni elevate con bobine di diverse taglie e potenze (serie A e B), basso consumo energetico, installazione in aree potenzialmente esplosive (con bobina ATEX serie X) e con la possibilità di esecuzioni speciali con raccordi Aignep.

Principali vantaggi

- Connessioni 1/8" e 1/4"
- Guarnizioni certificate FDA e conformi NSF51
- Utilizzo con l'intera gamma di raccordi Aignep
- Grado di protezione IP67 con connettore e kit antiumidità
- Potenza bobine:
Serie A - 22 mm - 6.5W / 7.5VA
Serie B - 30 mm - 8W / 11VA

Applicazioni

- Acqua, Liquidi neutri, Oli
- Industria alimentare, Coffee & vending
- Aria, Gas inerti, Vuoto
- Processi industriali, Automazione
- Macchine utensili, Taglio laser, Compressori
- Ossigeno, Vapore, Medica
- Industria Chimica e Petrochimica

The 01F series solenoid valves - direct acting with threaded brass body - stand out for their reliable performance which allows it to be used in a wide range of applications.

With a compact design, offer high performance with coils of different sizes and powers (series A and B), low energy consumption, installation in potentially explosive environments (with ATEX coil X series) and with the possibility of special executions with Aignep fittings.

Main advantages

- Connections 1/8" & 1/4"
- FDA certified and NSF51 compliant seals
- Use with the whole Aignep fittings range
- IP67 protection degree with connector and anti-humidity kit
- Power Coils:
Series A - 22 mm - 6.5W / 7.5VA
Series B - 30 mm - 8W / 11VA

Applications

- Water, Neutral liquids, Oils
- Food industry, Coffee & vending
- Air, Inert gases, Vacuum
- Industrial processes, Automation
- Machine tools, Laser cutting, Compressors
- Oxygen, Steam, Medical
- Chemical and Petrochemical industry

Die Serie 01F sind direktwirkende Magnetventile und bestehen aus einem Messingkörper mit Anschlussgewinden. Ein kompaktes Design und Magnetspulen mit einer hohen Leistungsfähigkeit (Serien A und B) und geringem Energieverbrauch ermöglichen ein breites Spektrum an Anwendungen. Durch die Ansteuerung mit der ATEX-Spule, der Serie X ist eine Installation in explosionsgefährdeten Umgebungen möglich. Sonderausführungen mit Aignep-Verschraubungen sind auf Anfrage möglich.

Vorteile

- Anschlüsse 1/8" & 1/4"
- FDA-zertifiziert und NSF51-konforme Dichtungen
- Kompatibel mit dem gesamten Aignep-Fittingsortiment
- IP67 Schutz mit Stecker und Feuchtigkeitsschutz-Kit
- Spulen:
Series A - 22 mm - 6.5W / 7.5VA
Series B - 30 mm - 8W / 11VA

Anwendungen

- Wasser, neutrale Flüssigkeiten, Öle
- Lebensmittelindustrie, Kaffee und Verkaufsautomaten
- Luft, inerte Gase, Vakuum
- Industrielle Prozesse, Automatisierung
- Werkzeugmaschinen, Laserschneiden, Kompressoren
- Sauerstoff, Dampf, Medizin
- Chemische und petrochemische Industrie

Les électrovannes de la série 01F - à commande directe avec corps fileté en laiton - se distinguent par leurs performances fiables qui leur permettent d'être utilisées dans une large gamme d'applications.

Avec une conception compacte, cette série offre des performances élevées avec des bobines de différentes tailles et puissances (séries A et B), une faible consommation d'énergie, possibilité pour installation dans des environnements potentiellement explosifs (avec la série X de bobine ATEX) et avec la possibilité d'exécutions spéciales avec des raccords Aignep.

Principaux avantages

- Connexions 1/8" & 1/4"
- Joints certifiés FDA et conformes NSF51
- Utilisation avec toute la gamme de raccords Aignep
- Degré de protection IP67 avec connecteur et kit anti-humidité
- Bobines série
Série A - 22 mm - 6.5W / 7.5VA
Série B - 30 mm - 8W / 11VA

Applications

- Eau, Liquides neutres, Huiles
- Industrie alimentaire, café et distributeurs automatiques
- Air, Gaz inertes, Vide
- Procédés industriels, Automatisation
- Machines outils, Découpe laser, Compresseurs
- Oxygène, Vapeur, Médical
- Industrie chimique et pétrochimique

Las electroválvulas de la serie 01F, de accionamiento directo con cuerpo de latón roscado, destacan por su rendimiento fiable, que le permiten ser utilizadas en una amplia gama de aplicaciones.

Con un diseño compacto, ofrecen altas prestaciones con bobinas de diferentes tamaños y potencias (series A y B), bajo consumo energético, instalación en ambientes potencialmente explosivos (con bobina ATEX serie X) y con posibilidad de ejecuciones especiales con racores Aignep.

Principales ventajas

- Conexiones 1/8" & 1/4"
- Juntas certificadas por FDA y compatibles con NSF51
- Uso con toda la gama de racores Aignep
- Grado de protección IP67 con conector y kit antihumedad
- Bobinas
Series A - 22 mm - 6.5W / 7.5VA
Series B - 30 mm - 8W / 11VA

Aplicaciones

- Agua, Líquidos neutros, Aceites
- Industria alimentaria, café y vending
- Aire, Gases inertes, Vacío
- Procesos Industriales, Automatización
- Máquinas herramienta, Corte por láser, Compresores
- Oxígeno, Vapor, Médico
- Industria química y petroquímica

As válvulas solenoides da série 01F - ação direta com corpo roscado em latão - destacam-se por seu desempenho confiável, que permite sua utilização em uma ampla gama de aplicações.

Com design compacto, oferecem alto desempenho utilizando bobinas de diferentes tamanhos e potências (séries A e B), baixo consumo de energia, instalação em ambientes potencialmente explosivos (com bobina ATEX série X) e com possibilidade de montagens especiais com conexões Aignep.

Principais vantagens

- Conexões 1/8" e 1/4"
- Certificados FDA e vedações compatíveis com NSF51
- Utilização com toda a gama de acessórios Aignep
- Grau de proteção IP67 com conector e kit anti-umidade
- Bobinas
Series A - 22 mm - 6.5W / 7.5VA
Series B - 30 mm - 8W / 11VA

Aplicações

- Água, líquidos neutros, óleos
- Indústria alimentícia, café e vending
- Ar, gases inertes, vácuo
- Processos Industriais, Automação
- Máquinas-ferramentas, corte a laser, compressores
- Oxigênio, Vapor, Medicinal
- Indústria química e petroquímica



<p>Caratteristiche generali - 01F IT</p> <ul style="list-style-type: none"> - Posizione di montaggio universale - Kit operatore Ø 10 mm - Certificazione valvole: ATEX II 2G/D Ex h - Bobine: classe H - - CSA C22.2 - ATEX II 2G/D Ex m 	<p>General features - 01F GB</p> <ul style="list-style-type: none"> - Universal mounting position - Operator kit Ø 10 mm - ATEX II 2G/D Ex h certification - Coils: Class H - - CSA C22.2 - ATEX II 2G/D Ex m 	<p>Eigenschaften - 01F DE</p> <ul style="list-style-type: none"> - Einbaulage universal - Bausatz Ø 10 mm - ATEX II 2G/D Ex h zulassung - Spulenkategorie H - - CSA C22.2 - ATEX II 2G/D Ex m
<p>Caractéristiques générales - 01F FR</p> <ul style="list-style-type: none"> - Position de montage universelle - Kit opérateur Ø 10 mm - Certification ATEX II 2G/D Ex h - Bobine: classe H - - CSA C22.2 - ATEX II 2G/D Ex m 	<p>Características generales - 01F ES</p> <ul style="list-style-type: none"> - Posición de montaje universal - Kit operador Ø 10 mm - Certificación ATEX II 2G/D Ex h - Bobinas: clase H - - CSA C22.2 - ATEX II 2G/D Ex m 	<p>Características gerais - 01F PT</p> <ul style="list-style-type: none"> - Posição de montagem universal - Kit do operador Ø 10 mm - Certificação ATEX II 2G/D Ex h - Bobinas: classe H - - CSA C22.2 - ATEX II 2G/D Ex m



Tabella dei codici di ordinazione

Ordering codes

Bestellschlüssel

Composition de la référence de commande

Tabla para definición de código

Tabela de código de compra

SERIE	Connessione Port size Masse Dimension Tamaño Tamanho	Funzione Functions Funktion Fonctions Función Funções	Orificio Orifice Dn Passage Orifizio Orifício	Materiale guarnizioni Sealing materials Dichtungswerkstoffe Matériaux des joints Material juntas Material das vedações	Versione Version Ausführung Version Versión Versão	Filettatura Thread Gewinde Filetage Rosca Rosca
-------	---	--	--	---	---	--

0	1	F	0	2	1	1	5	N	0				
			02 = 1/8"	03 = 1/4"	1 = 2/2 NC	15 = 1.5 mm	02 = 2 mm	25 = 2.5 mm	03 = 3 mm	04 = 4 mm	N = NBR	0 = Standard	= Gas
					2 = 2/2 NO						E = EPDM		N = NPTF
					3 = 3/2 NC						V = FKM		
					4 = 3/2 NO								

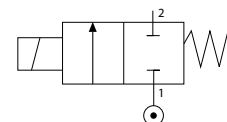
BOBINE: SERIE A, B, X	PAG: 19.2 / 19.3 / 19.4	CONNETTORI	PAG: 19.9 / 19.10
COILS: SERIES A, B, X	PAG: 19.2 / 19.3 / 19.4	CONNECTORS	PAG: 19.9 / 19.10
SPULEN: SERIES A, B, X	PAG: 19.2 / 19.3 / 19.4	STECKER	PAG: 19.9 / 19.10
BOBINES: SÉRIES A, B, X	PAG: 19.2 / 19.3 / 19.4	CONNECTEURS	PAG: 19.9 / 19.10
BOBINAS: SERIES A, B, X	PAG: 19.2 / 19.3 / 19.4	CONECTORES	PAG: 19.9 / 19.10
BOBINAS: SÉRIES A, B, X	PAG: 19.2 / 19.3 / 19.4	CONECTORES	PAG: 19.9 / 19.10

SERIE 01F

ELETTROVALVOLE AD AZIONAMENTO DIRETTO CON CORPO IN OTTONE

DIRECT ACTUATED SOLENOID VALVES WITH BRASS BODY
 MAGNETVENTILE MIT DIREKTER BETÄTIGUNG MIT MESSINGGEHÄUSE
 ÉLECTROVANNES À COMMANDE DIRECTE AVEC CORPS EN LAITON
 ELECTROVÁLVULAS DE ACCIONAMIENTO DIRECTO CON CUERPO DE LATÓN
 ELETTROVÁLVULAS DE ACIONAMENTO DIRETO COM CORPO DE LATÃO

2/2 NC **1/8" - 1/4"**



Materiali e Componenti	IT	Materials and Components	GB	Materialien und Komponenten	DE
1 Corpo: Ottone CW617N 2 Tenute: NBR - EPDM - FKM 3 Tubo guida: Acciaio Inox 4 Nucleo fisso e mobile: Acciaio Inox AISI 430FR 5 Molle: Acciaio Inox		1 Body: Brass CW617N 2 Seals: NBR - EPDM - FKM 3 Armature tube: Stainless steel 4 Fixed and mobile core: Stainless steel AISI 430FR 5 Springs: Stainless steel		1 Körper: Messing CW617N 2 Dichtung: NBR, EPDM, FKM 3 Führungsrohr: Edelstahl 4 Kern: Edelstahl AISI 430FR 5 Feder: Edelstahl	
Matériaux et Composants	FR	Materiales y componentes	ES	Materialis e Componentes	PT
1 Corps: Laiton CW617N 2 Joints: NBR, EPDM, FKM 3 Tube de pilotage: Acier inox 4 Noyau: Acier inox AISI 430FR 5 Ressort: Acier inox		1 Cuerpo: Latón CW617N 2 Juntas: NBR - EPDM - FKM 3 Tubo guía: Acero inox 4 Núcleo fijo y móvil: Acero inox AISI 430FR 5 Muelle: Acero inox		1 Corpo: Latão CW617N 2 Vedações: NBR, EPDM, FKM 3 Tubo Guia: Aço-inox 4 Núcleo fixo e móvel I: Aço-inox AISI 430FR 5 Mola: Aço-inox	



Pressione massima ammissibile

Maximum allowable pressure

Max. Betriebsdruck

Pression de service max.

Presión máxima admisible

Pressão máxima admissível

40 bar



Tabella compatibilità e materiali

Compatibility and materials table

Beständigkeitsübersicht

Tableau de compatibilité des matériaux

Tabla de compatibilidad de materiales

Tabela de compatibilidade química

Pag. 0.21 - 0.22



Temperatura ambiente con bobine in classe H

Room temperature with coil class H

Raumtemperatur, mit Spule der Klasse H

Température ambiante, avec bobine classe H

Temperatura ambiente con bobina classe H

Temperatura ambiente com bobina de classe H

**- 10 °C
+ 80 °C**

OPZIONI SU RICHIESTA - OPTIONS ON REQUEST - OPTIONEN AUF ANFRAGE - OPTIONS SUR DEMANDE - OPCIONES BAJO PEDIDO - OPÇÕES SOB ENCOMENDA

Versione idonea per utilizzo con ossigeno industriale - Version suitable for use with industrial oxygen - Version für industrie sauerstoff
 Version adaptée à une utilisation avec de l'oxygène industriel - Versión idónea para el uso con oxígeno industrial - Versão adequada para utilização com oxigênio industrial

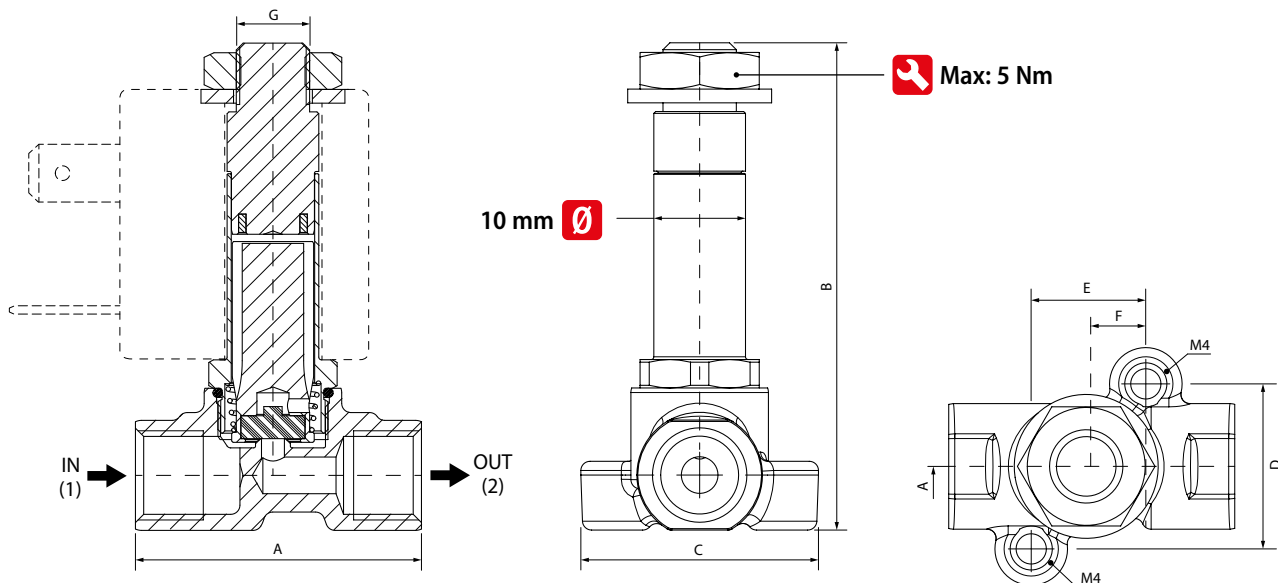
Trattamento superficiale di nichelatura chimica componenti in ottone - Chemical nickel plating treatment for brass components - Chemische vernickelung Messingkomponenten
 Traitement surface nickelage chimique composants laiton - Tratamiento superficial niquelatura química componentes latón - Tratamento superficial niquelação química componentes latão

Code	Materiale tenute Sealing materials Dichtungswerkstoffe Matériau joint Material juntas Material das vedações	Connesioni Port size Verbindungen Connexions Conexiones Conexões	Ø Orifizio Ø Orifice Ø Dn Ø Passage Ø Orificio Ø Orificio	Viscosità Viscosity Viskosität Viscosité Viscosidad Viscosidade	Kv	Pressione differenziale (OPD) Differential pressure (OPD) Differenzdruck (OPD) Pression différentielle (OPD) Presión diferencial (OPD) Pressão diferencial (OPD)			Potenza Power Leistung Puissance Potencia Potência			Bobine Coils Spulen Bobinas Bobinas					
						Bar			DC W	AC VA	ATEX Ex m W	Size mm	Serie A - pag. 19.2 B - pag. 19.3 X - pag. 19.4				
						Min	Max DC	Max AC									
01F 02 1 15 _ 0	N = NBR -10°C +90°C V = FKM -10°C +140°C E = EPDM -10°C +140°C	1/8"	1.5	25	0.06	0	16	30	6.5	7.5	-	22	A - SOL10				
40							40	8						11	-	30	B - SOL11
40							40										
01F 02 1 02 _ 0			N = NBR -10°C +90°C V = FKM -10°C +140°C E = EPDM -10°C +140°C	1/8"	2	37	0.09	0	12	25	6.5	7.5	-	22	A - SOL10		
30									40	8						11	-
18	35	-							-								
01F 02 1 25 _ 0	N = NBR -10°C +90°C V = FKM -10°C +140°C E = EPDM -10°C +140°C	1/8"			2.5	53	0.15	0	4.5	18	6.5	7.5	-	22	A - SOL10		
13									30	8						11	-
6			12	-					-								
01F 02 1 03 _ 0			N = NBR -10°C +90°C V = FKM -10°C +140°C E = EPDM -10°C +140°C	1/8"	3	53	0.20	0	3	10	6.5	7.5	-	22	A - SOL10		
7									16	8						11	-
3	5	-							-								
01F 02 1 04 _ 0	N = NBR -10°C +90°C V = FKM -10°C +140°C E = EPDM -10°C +140°C	1/8"			4	53	0.30	0	1	4	6.5	7.5	-	22	A - SOL10		
2.5									8	8						11	-
1			2.5	-					-								
01F 03 1 15 _ 0			N = NBR -10°C +90°C V = FKM -10°C +140°C E = EPDM -10°C +140°C	1/4"	1.5	25	0.06	0	16	30	6.5	7.5	-	22	A - SOL10		
40									40	8						11	-
40	40	-							-								
01F 03 1 02 _ 0	N = NBR -10°C +90°C V = FKM -10°C +140°C E = EPDM -10°C +140°C	1/4"			2	37	0.09	0	12	25	6.5	7.5	-	22	A - SOL10		
30									40	8						11	-
18			35	-					-								
01F 03 1 25 _ 0			N = NBR -10°C +90°C V = FKM -10°C +140°C E = EPDM -10°C +140°C	1/4"	2.5	53	0.15	0	4.5	18	6.5	7.5	-	22	A - SOL10		
13									30	8						11	-
6	12	-							-								
01F 03 1 03 _ 0	N = NBR -10°C +90°C V = FKM -10°C +140°C E = EPDM -10°C +140°C	1/4"			3	53	0.20	0	3	10	6.5	7.5	-	22	A - SOL10		
7									16	8						11	-
3			5	-					-								
01F 03 1 04 _ 0			N = NBR -10°C +90°C V = FKM -10°C +140°C E = EPDM -10°C +140°C	1/4"	4	53	0.30	0	1	4	6.5	7.5	-	22	A - SOL10		
2.5									8	8						11	-
1	2.5	-							-								

① **Selezionare tenuta - Select seal material - Wählen Sie das Dichtungsmaterial aus - Sélectionner matériau d'étanchéité - Seleccionar material sellado - Seleccionar material de vedação**

EPDM - P max= 2.5 bar: Con vapore - With steam - Mit dampf - Avec vapeur - Con vapor - Com vapor

Bobina non inclusa - Coil not included - Magnetspulen separat - Bobinas non incluse - Bobina no incluida - Bobinas não incluídas



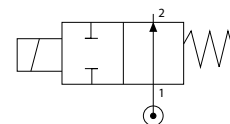
Size	A	B	C	D	E	F	G
1/8"	31.2	53.1	25.9	18	12.5	6.5	M8 x 0.75
1/4"	37	56.1	29	21	12	6	M8 x 0.75

SERIE 01F

ELETTOVALVOLE AD AZIONAMENTO DIRETTO CON CORPO IN OTTONE

DIRECT ACTUATED SOLENOID VALVES WITH BRASS BODY
 MAGNETVENTILE MIT DIREKTER BETÄTIGUNG MIT MESSINGGEHÄUSE
 ÉLECTROVANNES À COMMANDE DIRECTE AVEC CORPS EN LAITON
 ELECTROVÁLVULAS DE ACCIONAMIENTO DIRECTO CON CUERPO DE LATÓN
 ELETROVÁLVULAS DE ACIONAMENTO DIRETO COM CORPO DE LATÃO

2/2 NO **1/8" - 1/4"**



Tubo guida in Acciaio Inox su richiesta
 Stainless Steel armature tube on request
 Führungsrohr aus Edelstahl auf anfrage
 Tube de pilotage en Acier Inox sur demande
 Tubo guíae en Acero Inox bajo pedido
 Tubo Guia de Aço-Inox sob pedido

Materiali e Componenti	IT	Materials and Components	GB	Materialien und Komponenten	DE
1 Corpo: Ottone CW617N 2 Tenute: NBR - EPDM - FKM 3 Tubo guida: Ottone 4 Nucleo fisso e mobile: Acciaio Inox AISI 430FR 5 Molle: Acciaio Inox		1 Body: Brass CW617N 2 Seals: NBR - EPDM - FKM 3 Armature tube: Brass 4 Fixed and mobile core: Stainless steel AISI 430FR 5 Springs: Stainless steel		1 Körper: Messing CW617N 2 Dichtung: NBR, EPDM, FKM 3 Führungsrohr: Messing 4 Kern: Edelstahl AISI 430FR 5 Feder: Edelstahl	
Matériaux et Composants	FR	Materiales y componentes	ES	Materialis e Componentes	PT
1 Corps: Laiton CW617N 2 Joints: NBR, EPDM, FKM 3 Tube de pilotage: Laiton 4 Noyau: Acier inox AISI 430FR 5 Ressort: Acier inox		1 Cuerpo: Latón CW617N 2 Juntas: NBR - EPDM - FKM 3 Tubo guía: Latón 4 Núcleo fijo y móvil: Acero inox AISI 430FR 5 Muelle: Acero inox		1 Corpo: Latão CW617N 2 Vedações: NBR, EPDM, FKM 3 Tubo Guia: Latão 4 Núcleo fixo e móvel I: Aço-inox AISI 430FR 5 Mola: Aço-inox	



Pressione massima ammissibile
 Maximum allowable pressure
 Max. Betriebsdruck
 Pression de service max.
 Presión máxima admisible
 Pressão máxima admissível

40 bar



Tabella compatibilità e materiali
 Compatibility and materials table
 Beständigkeitsübersicht
 Tableau de compatibilité des matériaux
 Tabla de compatibilidad de materiales
 Tabela de compatibilidade química

Pag. 0.21 - 0.22



Temperatura ambiente con bobine in classe H
 Room temperature with coil class H
 Raumtemperatur, mit Spule der Klasse H
 Température ambiante, avec bobine classe H
 Temperatura ambiente con bobina classe H
 Temperatura ambiente com bobina de classe H

**- 10 °C
 + 80 °C**

OPZIONI SU RICHIESTA - OPTIONS ON REQUEST - OPTIONEN AUF ANFRAGE - OPTIONS SUR DEMANDE - OPCIONES BAJO PEDIDO - OPÇÕES SOB ENCOMENDA

Tubo guida in Acciaio Inox - Stainless Steel armature tube - Führungsrohr aus Edelstahl
 Tube de pilotage en Acier Inox - Tubo guíae en Acero Inox - Tubo Guia de Aço-Inox

Versione idonea per utilizzo con ossigeno industriale - Version suitable for use with industrial oxygen - Version für industrie sauerstoff
 Version adaptée à une utilisation avec de l'oxygène industriel - Versión idónea para el uso con oxígeno industrial - Versão adequada para utilização com oxigênio industrial

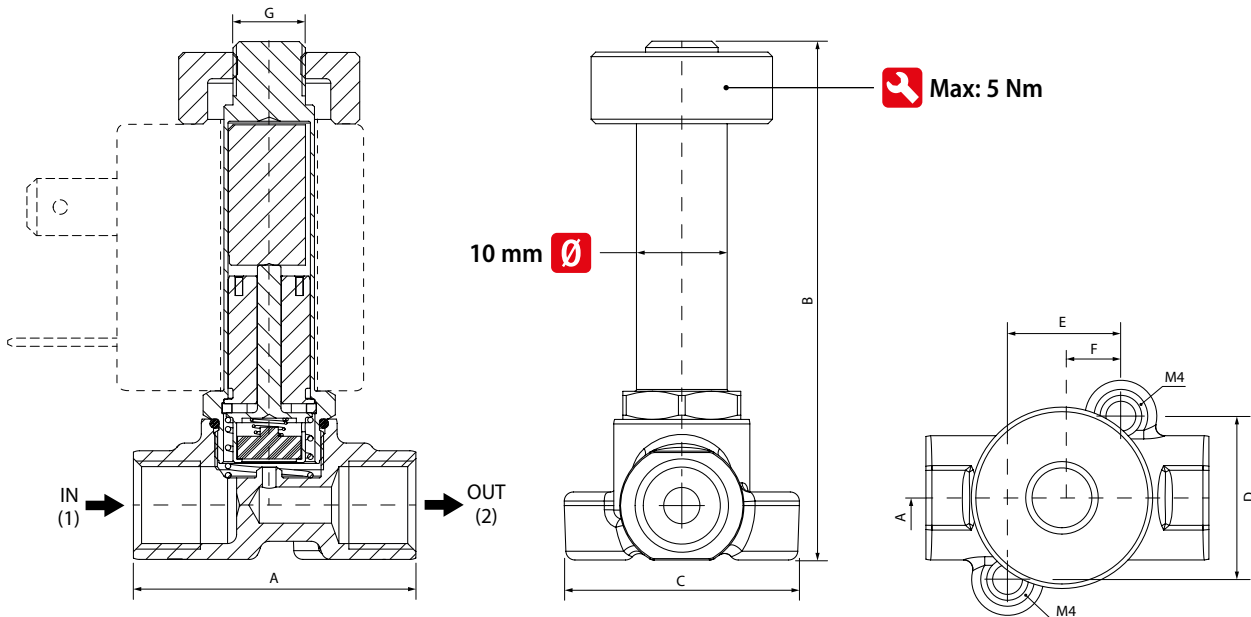
Trattamento superficiale di nichelatura chimica componenti in ottone - Chemical nickel plating treatment for brass components - Chemische vernickelung Messingkomponenten
 Traitement surface nickelage chimique composants laiton - Tratamiento superficial niquelatura química componentes latón - Tratamento superficial niquelação química componentes latão

Code	Materiale tenute Sealing materials Dichtungswerkstoffe Matériau joint Material juntas Material das vedações	Conessioni Port size Verbindungen Connexions Conexiones Conexões	Ø Orifizio Ø Orifice Ø Dn Ø Passage Ø Orificio Ø Orificio	Viscosità Viscosity Viskosität Viscosité Viscosidad Viscosidade	Kv	Pressione differenziale (OPD) Differential pressure (OPD) Differenzdruck (OPD) Pression différentielle (OPD) Presión diferencial (OPD) Pressão diferencial (OPD)			Potenza Power Leistung Puissance Potencia Potência			Bobine Coils Spulen Bobines Bobinas Bobinas					
						Bar			DC W	AC VA	ATEX Ex m W	Size mm	Serie				
						Min	Max DC	Max AC					A - pag. 19.2 B - pag. 19.3 X - pag. 19.4				
①	①	ISO 228	mm	cSt	m ³ /h												
01F 02 2 15 _ 0	N = NBR -10°C +90°C V = FKM -10°C +140°C E = EPDM -10°C +140°C	1/8"	1.5	25	0.06	0	-	18	18	-	7.5	-	22	A - SOL10			
01F 02 2 02 _ 0							18	18	8	11	-	30	B - SOL11				
01F 02 2 25 _ 0							-	10	10	-	-	5.3	30	X - SOLX4			
01F 02 2 03 _ 0							-	10	10	8	11	-	30	B - SOL11			
01F 03 2 15 _ 0	N = NBR -10°C +90°C V = FKM -10°C +140°C E = EPDM -10°C +140°C	1/4"	1.5	25	0.06	0	-	18	18	-	7.5	-	22	A - SOL10			
01F 03 2 02 _ 0							18	18	8	11	-	30	B - SOL11				
01F 03 2 25 _ 0							-	10	10	-	-	5.3	30	X - SOLX4			
01F 03 2 03 _ 0							-	10	10	8	11	-	30	B - SOL11			

① Selezionare tenuta - Select seal material - Wählen Sie das Dichtungsmaterial aus - Sélectionner matériau d'étanchéité - Seleccionar material sellado - Seleccionar material de vedação

EPDM - P max= 2.5 bar: Con vapore - With steam - Mit dampf - Avec vapeur - Con vapor - Com vapor

Bobina non inclusa - Coil not included - Magnetspulen separat - Bobines non incluse - Bobina no incluida - Bobinas não incluídas



Size	A	B	C	D	E	F	G
1/8"	31.2	57.2	25.9	18	12.5	6.5	M8 x 1
1/4"	37	60.2	29	21	12	6	M8 x 1

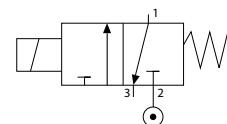
SERIE 01F

ELETTROVALVOLE AD AZIONAMENTO DIRETTO CON CORPO IN OTTONE

DIRECT ACTUATED SOLENOID VALVES WITH BRASS BODY
 MAGNETVENTILE MIT DIREKTER BETÄTIGUNG MIT MESSINGGEHÄUSE
 ÉLECTROVANNES À COMMANDE DIRECTE AVEC CORPS EN LAITON
 ELECTROVÁLVULAS DE ACCIONAMIENTO DIRECTO CON CUERPO DE LATÓN
 ELETRÓVALVULAS DE ACIONAMENTO DIRETO COM CORPO DE LATÃO

3/2 NC

1/8" - 1/4"



Materiali e Componenti	IT	Materials and Components	GB	Materialien und Komponenten	DE
1 Corpo: Ottone CW617N 2 Tenute: NBR - EPDM - FKM 3 Tubo guida: Acciaio Inox 4 Nucleo fisso e mobile: Acciaio Inox AISI 430FR 5 Molle: Acciaio Inox		1 Body: Brass CW617N 2 Seals: NBR - EPDM - FKM 3 Armature tube: Stainless steel 4 Fixed and mobile core: Stainless steel AISI 430FR 5 Springs: Stainless steel		1 Körper: Messing CW617N 2 Dichtung: NBR, EPDM, FKM 3 Führungsrohr: Edelstahl 4 Kern: Edelstahl AISI 430FR 5 Feder: Edelstahl	
Matériaux et Composants	FR	Materiales y componentes	ES	Materialis e Componentes	PT
1 Corps: Laiton CW617N 2 Joints: NBR, EPDM, FKM 3 Tube de pilotage: Acier inox 4 Noyau: Acier inox AISI 430FR 5 Ressort: Acier inox		1 Cuerpo: Latón CW617N 2 Juntas: NBR - EPDM - FKM 3 Tubo guía: Acero inox 4 Núcleo fijo y móvil: Acero inox AISI 430FR 5 Muelle: Acero inox		1 Corpo: Latão CW617N 2 Vedações: NBR, EPDM, FKM 3 Tubo Guia: Aço-inox 4 Núcleo fixo e móvel I: Aço-inox AISI 430FR 5 Mola: Aço-inox	



Pressione massima ammissibile

Maximum allowable pressure

Max. Betriebsdruck

Pression de service max.

Presión máxima admisible

Pressão máxima admissível

40 bar



Tabella compatibilità e materiali

Compatibility and materials table

Beständigkeitsübersicht

Tableau de compatibilité des matériaux

Tabla de compatibilidad de materiales

Tabela de compatibilidade química

Pag. 0.21 - 0.22



Temperatura ambiente con bobine in classe H

Room temperature with coil class H

Raumtemperatur, mit Spule der Klasse H

Température ambiante, avec bobine classe H

Temperatura ambiente con bobina classe H

Temperatura ambiente com bobina de classe H

**- 10 °C
+ 80 °C**

OPZIONI SU RICHIESTA - OPTIONS ON REQUEST - OPTIONEN AUF ANFRAGE - OPTIONS SUR DEMANDE - OPCIONES BAJO PEDIDO - OPÇÕES SOB ENCOMENDA

Versione idonea per utilizzo con ossigeno industriale - Version suitable for use with industrial oxygen - Version für industrie sauerstoff
 Version adaptée à une utilisation avec de l'oxygène industriel - Versión idónea para el uso con oxígeno industrial - Versão adequada para utilização com oxigênio industrial

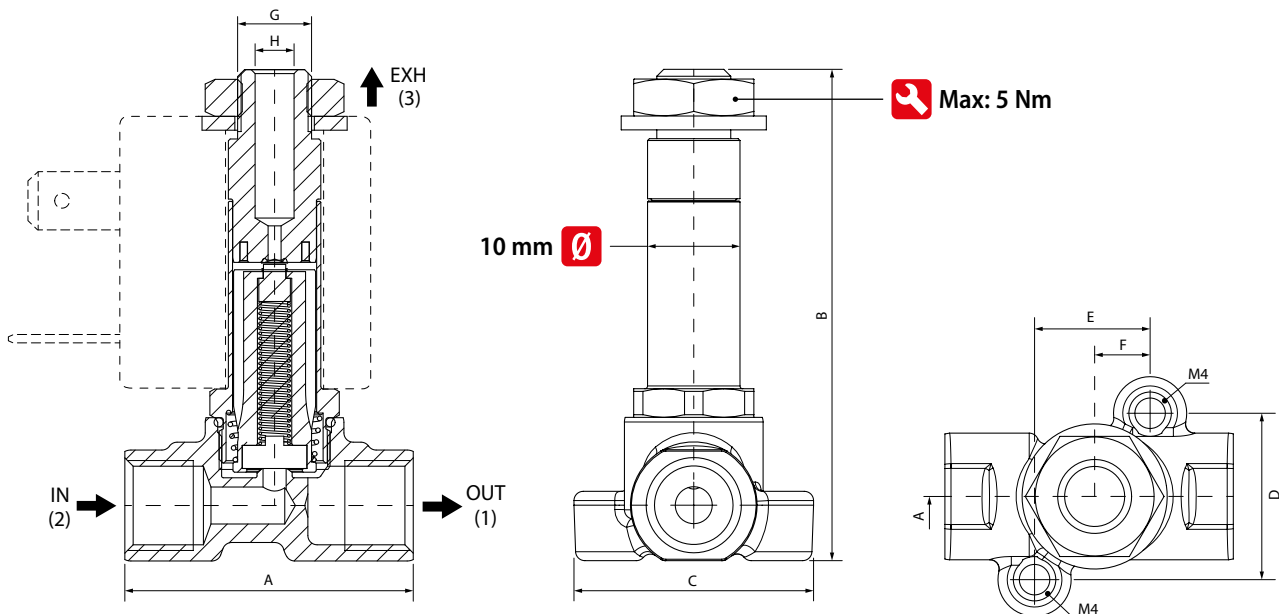
Trattamento superficiale di nichelatura chimica componenti in ottone - Chemical nickel plating treatment for brass components - Chemische vernickelung Messingkomponenten
 Traitement surface nickelage chimique composants laiton - Tratamiento superficial niquelatura química componentes latón - Tratamento superficial niquelação química componentes latão

Code	Materiale tenute Sealing materials Dichtungswerkstoffe Matériau joint Material juntas Material das vedações	Conessioni Port size Verbindungen Connexions Conexiones Conexões	Ø Orifizio Ø Orifice Ø Dn Ø Passage Ø Orificio Ø Orificio		Viscosità Viscosity Viskosität Viscosité Viscosidad Viscosidade	Kv	Pressione differenziale (OPD) Differential pressure (OPD) Differenzdruck (OPD) Pression différentielle (OPD) Presión diferencial (OPD) Pressão diferencial (OPD)			Potenza Power Leistung Puissance Potencia Potência			Bobine Coils Spulen Bobines Bobinas Bobinas			
			mm	mm			cSt	m ³ /h	Bar	Bar	Bar	DC W	AC VA	ATEX Ex m W	Size mm	Serie A - pag. 19.2 B - pag. 19.3 X - pag. 19.4
①	①	ISO 228	IN	EXH		IN	EXH	Min	Max DC	Max AC						
01F 02 3 15 _0	N = NBR -10°C +90°C V = FKM -10°C +140°C E = EPDM -10°C +140°C	1/8"	1.5	1.4	25	0.06	0.05	0	13.5	13.5		6.5	7.5	-	22	A - SOL10
13.5									13.5		8	11	-	30	B - SOL11	
13.5									13.5		-	-	5.3	30	X - SOLX4	
01F 02 3 02 _0			2	1.4	25	0.09	0.05	0	8	8		6.5	7.5	-	22	A - SOL10
8									8		8	11	-	30	B - SOL11	
8	8								-	-	5.3	30	X - SOLX4			
01F 02 3 25 _0	2.5	1.4	25	0.15	0.05	0	5	5		6.5	7.5	-	22	A - SOL10		
5							5		8	11	-	30	B - SOL11			
5							5		-	-	5.3	30	X - SOLX4			
01F 02 3 03 _0	3	1.4	25	0.20	0.05	0	3.5	3.5		6.5	7.5	-	22	A - SOL10		
3.5							3.5		8	11	-	30	B - SOL11			
3.5							3.5		-	-	5.3	30	X - SOLX4			
01F 02 3 04 _0	4	1.4	25	0.30	0.05	0	1	1		6.5	7.5	-	22	A - SOL10		
1							1		8	11	-	30	B - SOL11			
1							1		-	-	5.3	30	X - SOLX4			
01F 03 3 15 _0	N = NBR -10°C +90°C V = FKM -10°C +140°C E = EPDM -10°C +140°C	1/4"	1.5	1.4	25	0.06	0.05	0	13.5	13.5		6.5	7.5	-	22	A - SOL10
13.5									13.5		8	11	-	30	B - SOL11	
13.5									13.5		-	-	5.3	30	X - SOLX4	
01F 03 3 02 _0			2	1.4	25	0.09	0.05	0	8	8		6.5	7.5	-	22	A - SOL10
8									8		8	11	-	30	B - SOL11	
8	8								-	-	5.3	30	X - SOLX4			
01F 03 3 25 _0	2.5	1.4	25	0.15	0.05	0	5	5		6.5	7.5	-	22	A - SOL10		
5							5		8	11	-	30	B - SOL11			
5							5		-	-	5.3	30	X - SOLX4			
01F 03 3 03 _0	3	1.4	25	0.20	0.05	0	3.5	3.5		6.5	7.5	-	22	A - SOL10		
3.5							3.5		8	11	-	30	B - SOL11			
3.5							3.5		-	-	5.3	30	X - SOLX4			
01F 03 3 04 _0	4	1.4	25	0.30	0.05	0	1	1		6.5	7.5	-	22	A - SOL10		
1							1		8	11	-	30	B - SOL11			
1							1		-	-	5.3	30	X - SOLX4			

① Selezionare tenuta - Select seal material - Wählen Sie das Dichtungsmaterial aus - Sélectionner matériau d'étanchéité - Seleccionar material sellado - Seleccionar material de vedação

EPDM - P max= 2.5 bar: Con vapore - With steam - Mit dampf - Avec vapeur - Con vapor - Com vapor

Bobina non inclusa - Coil not included - Magnetspulen separat - Bobines non incluse - Bobina no incluida - Bobinas não incluidas



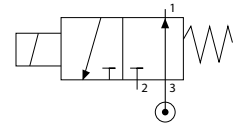
Size	A	B	C	D	E	F	G	H
1/8"	31.2	53.1	25.9	18	12.5	6	M8 x 0.75	M5
1/4"	37	56.1	29	21	12	6	M8 x 0.75	M5

SERIE 01F

ELETTROVALVOLE AD AZIONAMENTO DIRETTO CON CORPO IN OTTONE

DIRECT ACTUATED SOLENOID VALVES WITH BRASS BODY
 MAGNETVENTILE MIT DIREKTER BETÄTIGUNG MIT MESSINGGEHÄUSE
 ÉLECTROVANNES À COMMANDE DIRECTE AVEC CORPS EN LAITON
 ELECTROVÁLVULAS DE ACCIONAMIENTO DIRECTO CON CUERPO DE LATÓN
 ELETTROVÁLVULAS DE ACIONAMENTO DIRETO COM CORPO DE LATÃO

3/2 NO **1/8" - 1/4"**



Materiali e Componenti	IT	Materials and Components	GB	Materialien und Komponenten	DE
1 Corpo: Ottone CW617N 2 Tenute: NBR - EPDM - FKM 3 Tubo guida: Acciaio Inox 4 Nucleo fisso e mobile: Acciaio Inox AISI 430FR 5 Molle: Acciaio Inox		1 Body: Brass CW617N 2 Seals: NBR - EPDM - FKM 3 Armature tube: Stainless steel 4 Fixed and mobile core: Stainless steel AISI 430FR 5 Springs: Stainless steel		1 Körper: Messing CW617N 2 Dichtung: NBR, EPDM, FKM 3 Führungsrohr: Edelstahl 4 Kern: Edelstahl AISI 430FR 5 Feder: Edelstahl	
Matériaux et Composants	FR	Materiales y componentes	ES	Materialis e Componentes	PT
1 Corps: Laiton CW617N 2 Joints: NBR, EPDM, FKM 3 Tube de pilotage: Acier inox 4 Noyau: Acier inox AISI 430FR 5 Ressort: Acier inox		1 Cuerpo: Latón CW617N 2 Juntas: NBR - EPDM - FKM 3 Tubo guía: Acero inox 4 Núcleo fijo y móvil: Acero inox AISI 430FR 5 Muelle: Acero inox		1 Corpo: Latão CW617N 2 Vedações: NBR, EPDM, FKM 3 Tubo Guia: Aço-inox 4 Núcleo fixo e móvel I: Aço-inox AISI 430FR 5 Mola: Aço-inox	



Pressione massima ammissibile
 Maximum allowable pressure
 Max. Betriebsdruck
 Pression de service max.
 Presión máxima admisible
 Pressão máxima admissível

40 bar



Tabella compatibilità e materiali
 Compatibility and materials table
 Beständigkeitsübersicht
 Tableau de compatibilité des matériaux
 Tabla de compatibilidad de materiales
 Tabela de compatibilidade química

Pag. 0.21 - 0.22



Temperatura ambiente con bobine in classe H
 Room temperature with coil class H
 Raumtemperatur, mit Spule der Klasse H
 Température ambiante, avec bobine classe H
 Temperatura ambiente con bobina classe H
 Temperatura ambiente com bobina de classe H

**- 10 °C
 + 80 °C**

OPZIONI SU RICHIESTA - OPTIONS ON REQUEST - OPTIONEN AUF ANFRAGE - OPTIONS SUR DEMANDE - OPCIONES BAJO PEDIDO - OPÇÕES SOB ENCOMENDA

Versione idonea per utilizzo con ossigeno industriale - Version suitable for use with industrial oxygen - Version für industrie sauerstoff
 Version adaptée à une utilisation avec de l'oxygène industriel - Versión idónea para el uso con oxígeno industrial - Versão adequada para utilização com oxigênio industrial

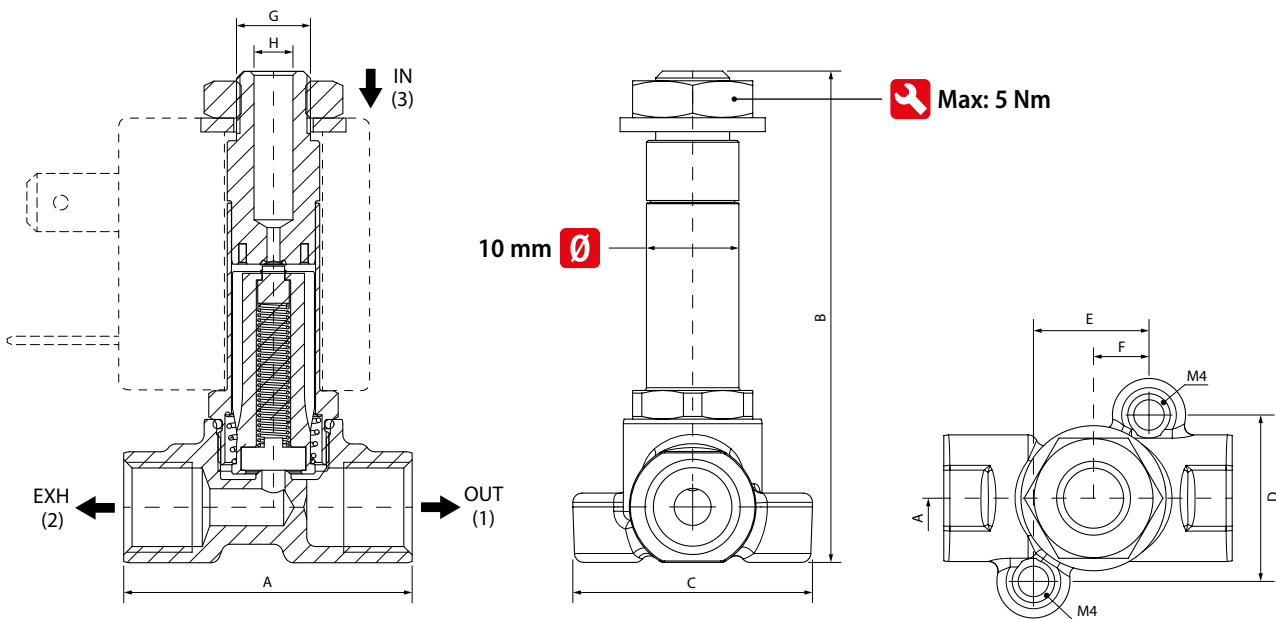
Trattamento superficiale di nichelatura chimica componenti in ottone - Chemical nickel plating treatment for brass components - Chemische vernickelung Messingkomponenten
 Traitement surface nickelage chimique composants laiton - Tratamiento superficial niquelatura química componentes latón - Tratamento superficial niquelação química componentes latão

Code	Materiale tenute Sealing materials Dichtungswerkstoffe Matériau joint Material juntas Material das vedações	Conessioni Port size Verbindungen Connexions Conexiones Conexões	Ø Orifizio Ø Orifice Ø Dn Ø Passage Ø Orificio Ø Orificio		Viscosità Viscosity Viskosität Viscosité Viscosidad	Kv	Pressione differenziale (OPD) Differential pressure (OPD) Differenzdruck (OPD) Pression différentielle (OPD) Presión diferencial (OPD) Pressão diferencial (OPD)			Potenza Power Leistung Puissance Potencia			Bobine Coils Spulen Bobines Bobinas			
			mm	mm			cSt	m ³ /h	Bar	Bar	Bar	DC	AC	ATEX Ex m	Size	Serie
①	①	ISO 228	IN	EXH		IN	EXH	Min	Max DC	Max AC	W	VA	W	mm	A - pag. 19.2 B - pag. 19.3 X - pag. 19.4	
01F 02 4 15 _ 0	N = NBR -10°C +90°C	1/8"	1.4	1.5	25	0.05	0.06	0	10	10	6.5	7.5	-	22	A - SOL10	
01F 02 4 02 _ 0	V = FKM -10°C +140°C								10	10					8	11
01F 02 4 25 _ 0	E = EPDM -10°C +140°C		1.4	2.5	25	0.05	0.15	0	10	10	-	-	5.3	30	X - SOLX4	
									4	10	6.5	7.5	-	22	A - SOL10	
01F 03 4 15 _ 0	N = NBR -10°C +90°C		1/4"	1.4	1.5	25	0.05	0.06	0	10	10	6.5	7.5	-	22	A - SOL10
01F 03 4 02 _ 0	V = FKM -10°C +140°C									10	10					8
01F 03 4 25 _ 0	E = EPDM -10°C +140°C	1.4		2.5	25	0.05	0.15	0	10	10	-	-	5.3	30	X - SOLX4	
									4	10	6.5	7.5	-	22	A - SOL10	
										10	10	8	11	-	30	B - SOL11
										4	10	-	-	5.3	30	X - SOLX4


① Selezionare tenuta - Select seal material - Wählen Sie das Dichtungsmaterial aus - Sélectionner matériau d'étanchéité - Seleccionar material sellado - Seleccionar material de vedação

EPDM - P max= 2.5 bar: Con vapore - With steam - Mit dampf - Avec vapeur - Con vapor - Com vapor

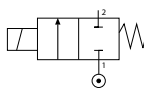
Bobina non inclusa - Coil not included - Magnetspulen separat - Bobines non incluse - Bobina no incluida - Bobinas não incluidas



Size	A	B	C	D	E	F	G	H
1/8"	31.2	53.1	25.9	18	12.5	6	M8 x 0.75	M5
1/4"	37	56.1	29	21	12	6	M8 x 0.75	M5





2/2 NC

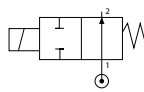


1/8" - 1/4"

Pag. 2.4






2/2 NO

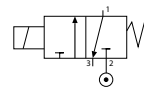


1/8" - 1/4"

Pag. 2.6






3/2 NC

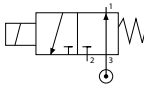


1/8" - 1/4"

Pag. 2.8





3/2 NO



1/8" - 1/4"

Pag. 2.10




22 mm

Serie A

Pag. 19.2




30 mm

Serie B

Pag. 19.3




30 mm

Serie X

Pag. 19.4




Connectors

Pag. 19.9 / 19.10



ELETTROVALVOLE AD AZIONAMENTO DIRETTO IN ACCIAIO INOX 316L*DIRECT ACTING SOLENOID VALVES IN STAINLESS STEEL 316L**MAGNETVENTILE MIT DIREKTER BETÄTIGUNG EDELSTAHL 316L**ELECTROVANNES A ACTIONNEMENT DIRECT EN ACIER INOX 316L**ELECTROVÁLVULAS DE ACCIONAMIENTO DIRECTO EN ACERO INOX 316L**ELETROVÁLVULAS DE ACIONAMENTO DIRETO EM AÇO-INOX 316L***AISI 316L****Ex**
II 2 G/D Ex h**C** **UL** **US**
CSA C22.2**Serie X1F**

Le elettrovalvole serie X1F - azionamento diretto con corpo filettato in acciaio inox 316L consentono soluzioni applicative a contatto con fluidi aggressivi, oltre all'utilizzo in ambienti particolarmente gravosi.

Dal design compatto, offrono prestazioni elevate con bobine di diverse taglie e potenze (serie A e B), basso consumo energetico, installazione in aree potenzialmente esplosive (con bobina ATEX serie X) e con la possibilità di esecuzioni speciali con raccordi Aignep

Principali vantaggi

- Contatto con fluidi alimentari e aggressivi
- Idonee per ambienti corrosivi
- Conessioni 1/8" e 1/4"
- Guarnizioni certificate FDA e conformi NSF51
- Grado di protezione IP67 con connettore e kit antiumidità
- Potenza bobine:
serie A - 22 mm - 6.5W / 7.5VA
serie B - 30 mm - 8W / 11VA

Applicazioni

- Acqua, Oli, Liquidi corrosivi
- Aria, Gas inerti e aggressivi, Vuoto
- Industria alimentare
- Taglio laser, Saldatura, Metallurgia
- Ossigeno, Vapore, Medicale
- Industria Chimica e Petrochimica

The X1F series solenoid valves - direct acting with 316L stainless steel threaded body - allow application solutions also in contact with aggressive fluids, as well as use in particularly harsh environments.

With a compact design, offer high performance with coils of different sizes and powers (series A and B), low energy consumption, installation in potentially explosive environments (with ATEX coil X series) and with the possibility of special executions with Aignep fittings.

Main advantages

- Contact with food and aggressive fluids
- Suitable for corrosive environments
- Connections 1/8" & 1/4"
- FDA certified and NSF51 compliant seals
- IP67 protection degree with connector and anti-humidity kit
- Power Coils:
Series A - 22 mm - 6.5W / 7.5VA
Series B - 30 mm - 8W / 11VA

Applications

- Water, Oils, Corrosive liquids
- Air, Inert and aggressive gases, Vacuum
- Food industry
- Laser cutting, Welding, Metallurgy
- Oxygen, Steam, Medical
- Chemical and Petrochemical Industry

Die direktwirkenden Magnetventile der Serie X1F - mit einem Edelstahlgehäuse (316L) mit Gewinde, sind insbesondere für Anwendungslösungen mit aggressiven Flüssigkeiten sowie den Einsatz in besonders rauen Umgebungen geeignet.

Sie haben ein kompaktes Design, bieten hohe Leistungen mit Spulen verschiedener Größen (Serie A und B) und einen geringen Energieverbrauch.

Die Installation in explosionsgefährdeten Umgebungen ist in Kombination mit der ATEX-Spule der Serie X möglich. Weitere Optionen mit Aignep-Fittingen möglich.

Vorteile

- Kontakt mit Lebensmitteln und aggressiven Flüssigkeiten
- Geeignet für korrosive Umgebungen
- Anschlüsse 1/8" & 1/4"
- FDA-zertifizierte und NSF51-konforme Dichtungen
- IP67 Schutz mit Stecker und Anti-Feuchtigkeit-Kit
- Spulen:
Series A - 22 mm - 6.5W / 7.5VA
Series B - 30 mm - 8W / 11VA

Anwendungen

- Wasser, Öle, korrosive Flüssigkeiten
- Luft, inerte und aggressive Gase, Vakuum
- Lebensmittelindustrie
- Laserschneiden, Schweißen, Metallurgie
- Sauerstoff, Dampf, Medizin
- Chemische und petrochemische Industrie

Les électrovannes de la série X1F - à commande directe avec corps fileté en acier inoxydable 316L - permettent des solutions d'application également en contact avec des fluides agressifs, ainsi qu'une utilisation dans des environnements particulièrement difficiles.

Avec une conception compacte, offre des performances élevées avec des bobines de différentes tailles et puissances (séries A et B), une faible consommation d'énergie, une installation dans des environnements potentiellement explosifs (avec la série X de bobine ATEX) et avec la possibilité d'exécutions spéciales avec des raccords Aignep.

Principaux avantages

- Contact avec des aliments et des fluides agressifs
- Convient aux environnements corrosifs
- Connexions 1/8" & 1/4"
- Joints certifiés FDA et conformes NSF51
- Degré de protection IP67 avec connecteur et kit anti humidité
- Bobines série
Série A - 22 mm - 6.5W / 7.5VA
Série B - 30 mm - 8W / 11VA

Applications

- Eau, Huiles, Liquides corrosifs
- Air, Gaz inertes et agressifs, Vide
- Industrie alimentaire
- Découpe laser, Soudure, Metallurgie
- Oxygène, Vapeur, Médical
- Industrie chimique et pétrochimique

Las electroválvulas de la serie X1F, de accionamiento directo con cuerpo roscado de acero inoxidable 316L, permiten soluciones de aplicación también en contacto con fluidos agresivos, así como el uso en entornos particularmente hostiles.

Con un diseño compacto, ofrecen altas prestaciones con bobinas de diferentes tamaños y potencias (series A y B), bajo consumo energético, instalación en ambientes potencialmente explosivos (con bobina ATEX serie X) y con posibilidad de ejecuciones especiales con racores Aignep.

Principales ventajas

- Contacto con alimentos y fluidos agresivos
- Apto para ambientes corrosivos
- Conexiones 1/8" y 1/4"
- Juntas certificadas por FDA y compatibles con NSF51
- Grado de protección IP67 con conector y kit antihumedad
- Bobinas
Series A - 22 mm - 6.5W / 7.5VA
Series B - 30 mm - 8W / 11VA

Aplicaciones

- Agua, Aceites, Líquidos corrosivos
- Aire, Gases inertes y agresivos, Vacío
- Industria de alimentos
- Corte por láser, Soldadura, Metalurgia
- Oxígeno, Vapor, Médico
- Industria Química y Petroquímica

As válvulas solenóides da série X1F - ação direta com corpo roscado em aço inoxidável 316L - permitem soluções de aplicação também em contato com fluidos agressivos, bem como uso em ambientes particularmente agressivos.

Com design compacto, oferecem alto desempenho com bobinas de diferentes tamanhos e potências (séries A e B), baixo consumo de energia, instalação em ambientes potencialmente explosivos (com bobina ATEX série X) e com possibilidade de montagens especiais com conexões Aignep.

Principais vantagens

- Contato com alimentos e fluidos agressivos
- Adequado para ambientes corrosivos
- Conexões 1/8" e 1/4"
- Certificadas pela FDA e compatíveis com NSF51
- Grau de proteção IP67 com conector e kit anti-umidade
- Bobinas
Series A - 22 mm - 6.5W / 7.5VA
Series B - 30 mm - 8W / 11VA

Aplicações

- Água, óleos, líquidos corrosivos
- Ar, gases inertes e agressivos, vácuo
- Indústria alimentícia
- Corte a laser, Soldagem, Metalurgia
- Oxigênio, Vapor, Medicinal
- Indústria Química e Petroquímica



Caratteristiche generali - X1F IT - Posizione di montaggio universale - Kit operatore Ø 10 mm - Certificazione valvole: ATEX II 2G/D Ex h - Bobine: classe H - - CSA C22.2 - ATEX II 2G/D Ex m	General features - X1F GB - Universal mounting position - Operator kit Ø 10 mm - ATEX II 2G/D Ex h certification - Coils: Class H - - CSA C22.2 - ATEX II 2G/D Ex m	Eigenschaften - X1F DE - Einbaulage universal - Bausatz Ø 10 mm - ATEX II 2G/D Ex h zulassung - Spulenkategorie H - - CSA C22.2 - ATEX II 2G/D Ex m
Caractéristiques générales - X1F FR - Position de montage universelle - Kit opérateur Ø 10 mm - Certification ATEX II 2G/D Ex h - Bobine: classe H - - CSA C22.2 - ATEX II 2G/D Ex m	Características generales - X1F ES - Posición de montaje universal - Kit operador Ø 10 mm - Certificación ATEX II 2G/D Ex h - Bobinas: clase H - - CSA C22.2 - ATEX II 2G/D Ex m	Características gerais - X1F PT - Posição de montagem universal - Kit do operador Ø 10 mm - Certificação ATEX II 2G/D Ex h - Bobinas: classe H - - CSA C22.2 - ATEX II 2G/D Ex m

	Tabella dei codici di ordinazione
	Ordering codes
	Bestellschlüssel
	Composition de la référence de commande
	Tabla para definición de código
	Tabela de código de compra

SERIE	Connessione Port size Masse Dimension Tamaño Tamanho	Funzione Fuctions Funktion Fonctions Función Funções	Orifizio Orifice Dn Passage Orifizio Orificio	Materiale guarnizioni Sealing materials Dichtungswerkstoffe Matériaux des joints Material juntas Material das vedações	Versione Version Ausführung Version Versión Versão	Filettatura Thread Gewinde Filetage Rosca Rosca
-------	---	---	--	---	---	--

X	1	F	0 2	1	1 5	N	0	<input type="checkbox"/>
	02 = 1/8" 03 = 1/4"	1 = 2/2 NC Normalmente chiusa Normally closed Normalerweise geschlossen Normalement fermée Normalmente cerrada Normalmente fechada	15 = 1.5 mm 02 = 2 mm 25 = 2.5 mm 03 = 3 mm 04 = 4 mm	N = NBR E = EPDM V = FKM	0 = Standard	= Gas N = NPTF		
		2 = 2/2 NO Normalmente aperta Normally open Normalerweise offen Normalement ouvert Normalmente abierta Normalmente aberta						
		3 = 3/2 NC Normalmente chiusa Normally closed Normalerweise geschlossen Normalement fermée Normalmente cerrada Normalmente fechada						
		4 = 3/2 NO Normalmente aperta Normally open Normalerweise offen Normalement ouvert Normalmente abierta Normalmente aberta						

BOBINE: SERIE A, B, X COILS: SERIES A, B, X SPULEN: SERIES A, B, X BOBINES: SÉRIES A, B, X BOBINAS: SERIES A, B, X BOBINAS: SÉRIES A, B, X	PAG: 19.2 / 19.3 / 19.4 PAG: 19.2 / 19.3 / 19.4 PAG: 19.2 / 19.3 / 19.4 PAG: 19.2 / 19.3 / 19.4 PAG: 19.2 / 19.3 / 19.4 PAG: 19.2 / 19.3 / 19.4	CONNETTORI CONNECTORS STECKER CONNECTEURS CONECTORES CONECTORES	PAG: 19.9 / 19.10 PAG: 19.9 / 19.10 PAG: 19.9 / 19.10 PAG: 19.9 / 19.10 PAG: 19.9 / 19.10 PAG: 19.9 / 19.10
--	---	---	---

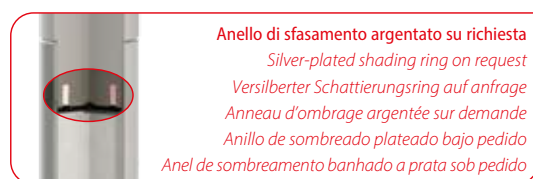
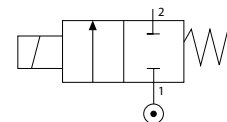
SERIE X1F

ELETTROVALVOLE AD AZIONAMENTO DIRETTO CON CORPO IN ACCIAIO INOX AISI 316L

DIRECT ACTING SOLENOID VALVES WITH BODY IN STAINLESS STEEL AISI 316L
 MAGNETVENTILE MIT DIREKTER BETÄTIGUNG MIT KÖRPER EDELSTAHL AISI 316L
 ELECTROVANNES A ACTIONNEMENT DIRECT AVEC CORPS EN ACIER INOX AISI 316L
 ELECTROVÁLVULAS DE ACCIONAMIENTO DIRECTO CON CUERPO DE ACERO INOX AISI 316L
 ELETTROVÁLVULAS DE ACIONAMENTO DIRETO COM CORPO EM AÇO-INOX AISI 316L

2/2 NC

1/8" - 1/4"



Materiali e Componenti	IT	Materials and Components	GB	Materialien und Komponenten	DE
1 Corpo: Acciaio Inox AISI 316L 2 Tenute: NBR - EPDM - FKM 3 Tubo guida: Acciaio Inox 4 Nucleo fisso e mobile: Acciaio Inox AISI 430FR 5 Molle: Acciaio Inox 6 Anello di sfasamento: Rame		1 Body: Stainless steel AISI 316L 2 Seals: NBR - EPDM - FKM 3 Armature tube: Stainless steel 4 Fixed and mobile core: Stainless steel AISI 430FR 5 Springs: Stainless steel 6 Shading ring: Copper		1 Körper: Edelstahl AISI 316L 2 Dichtung: NBR, EPDM, FKM 3 Führungsrohr: Edelstahl 4 Kern: Edelstahl AISI 430FR 5 Feder: Edelstahl 6 Schattierung Ring: Kupfer	
Matériaux et Composants	FR	Materiales y componentes	ES	Materialis e Componentes	PT
1 Corps: Acier inox AISI 316L 2 Joints: NBR, EPDM, FKM 3 Tube de pilotage: Acier inox 4 Noyau: Acier inox AISI 430FR 5 Ressort: Acier inox 6 Anneaux d'ombrage: Cuivre		1 Cuerpo: Acero inox AISI 316L 2 Juntas: NBR - EPDM - FKM 3 Tubo guía: Acero inox 4 Núcleo fijo y móvil: Acero inox AISI 430FR 5 Muelle: Acero inox 6 Anillo de sombreado: Cobre		1 Corpo: AISI 316L 2 Vedações: NBR, EPDM, FKM 3 Tubo Guia: Aço-inox 4 Núcleo fixo e móvel I: Aço-inox AISI 430FR 5 Mola: Aço-inox 6 Anel de sombreamento: Cobre	



Pressione massima ammissibile
 Maximum allowable pressure
 Max. Betriebsdruck
 Pression de service max.
 Presión máxima admisible
 Pressão máxima admissível

40 bar



Tabella compatibilità e materiali
 Compatibility and materials table
 Beständigkeitsübersicht
 Tableau de compatibilité des matériaux
 Tabla de compatibilidad de materiales
 Tabela de compatibilidade química

Pag. 0.21 - 0.22



Temperatura ambiente con bobine in classe H
 Room temperature with coil class H
 Raumtemperatur, mit Spule der Klasse H
 Température ambiante, avec bobine classe H
 Temperatura ambiente con bobina classe H
 Temperatura ambiente com bobina de classe H

**- 10 °C
 + 80 °C**

OPZIONI SU RICHIESTA - OPTIONS ON REQUEST - OPTIONEN AUF ANFRAGE - OPTIONS SUR DEMANDE - OPCIONES BAJO PEDIDO - OPÇÕES SOB ENCOMENDA

Anello di sfasamento argentato - Silver-plated shading ring - Versilberter Schattierungsring
 Anneau d'ombrage argentée - Anillo de sombreado plateado - Anel de sombreamento banhado a prata

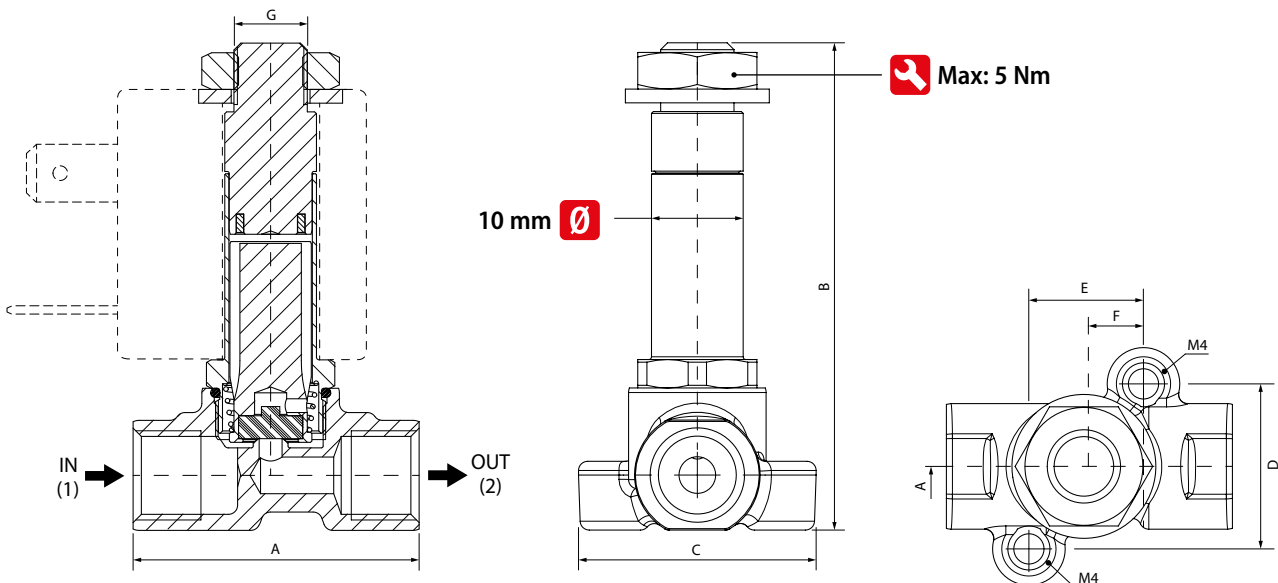
Versione idonea per utilizzo con ossigeno industriale - Version suitable for use with industrial oxygen - Version für industrie sauerstoff
 Version adaptée à une utilisation avec de l'oxygène industriel - Versión idónea para el uso con oxígeno industrial - Versão adequada para utilização com oxigênio industrial

Code	Materiale tenute Sealing materials Dichtungswerkstoffe Matériau joint Material juntas Material das vedações	Conessioni Port size Verbindungen Connexions Conexiones Conexões	Ø Orifizio Ø Orifice Ø Dn Ø Passage Ø Orificio Ø Orificio	Viscosità Viscosity Viskosität Viscosité Viscosidad Viscosidade	Kv	Pressione differenziale (OPD) Differential pressure (OPD) Differenzdruck (OPD) Pression différentielle (OPD) Presión diferencial (OPD) Pressão diferencial (OPD)			Potenza Power Leistung Puissance Potencia Potência			Bobine Coils Spulen Bobines Bobinas Bobinas			
						Bar			DC W	AC VA	ATEX Ex m W	Size mm	Serie A - pag. 19.2 B - pag. 19.3 X - pag. 19.4		
						Min	Max DC	Max AC							
X1F 02 1 15 _ 0	N = NBR -10°C +90°C V = FKM -10°C +140°C E = EPDM -10°C +140°C	1/8"	1.5	25	0.06	0	16	30	6.5	7.5	-	22	A - SOL10		
40							40	-						30	B - SOL11
40							40								
X1F 02 1 02 _ 0			2	37	0.09	0	12	25	6.5	7.5	-	22	A - SOL10		
30							40	-						30	B - SOL11
18	35														
X1F 02 1 25 _ 0	2.5	53	0.15	0	4.5	18	6.5	7.5	-	22	A - SOL10				
13					30	-						30	B - SOL11		
6					12										
X1F 02 1 03 _ 0	3	53	0.20	0	3	10	6.5	7.5	-	22	A - SOL10				
7					16	-						30	B - SOL11		
3					5										
X1F 02 1 04 _ 0	4	53	0.30	0	1	4	6.5	7.5	-	22	A - SOL10				
2.5					8	-						30	B - SOL11		
1					2.5										
X1F 03 1 15 _ 0	N = NBR -10°C +90°C V = FKM -10°C +140°C E = EPDM -10°C +140°C	1/4"	1.5	25	0.06	0	16	30	6.5	7.5	-	22	A - SOL10		
40							40	-						30	B - SOL11
40							40								
X1F 03 1 02 _ 0			2	37	0.09	0	12	25	6.5	7.5	-	22	A - SOL10		
30							40	-						30	B - SOL11
18	35														
X1F 03 1 25 _ 0	2.5	53	0.15	0	4.5	18	6.5	7.5	-	22	A - SOL10				
13					30	-						30	B - SOL11		
6					12										
X1F 03 1 03 _ 0	3	53	0.20	0	3	10	6.5	7.5	-	22	A - SOL10				
7					16	-						30	B - SOL11		
3					5										
X1F 03 1 04 _ 0	4	53	0.30	0	1	4	6.5	7.5	-	22	A - SOL10				
2.5					8	-						30	B - SOL11		
1					2.5										

① **Selezionare tenuta - Select seal material - Wählen Sie das Dichtungsmaterial aus - Sélectionner matériau d'étanchéité - Seleccionar material sellado - Seleccionar material de vedação**

EPDM - P max= 2.5 bar: Con vapore - With steam - Mit Dampf - Avec vapeur - Con vapor - Com vapor

Bobina non inclusa - Coil not included - Magnetspulen separat - Bobines non incluse - Bobina no incluida - Bobinas não incluídas



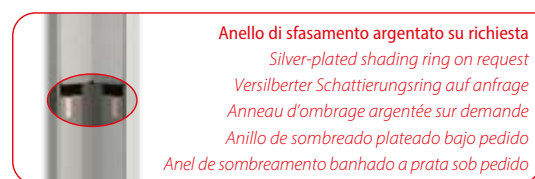
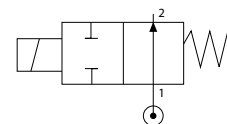
Size	A	B	C	D	E	F	G
1/8"	31.2	53.1	25.9	18	12.5	6.5	M8 x 0.75
1/4"	37	56.1	29	21	12	6	M8 x 0.75

SERIE X1F

ELETTROVALVOLE AD AZIONAMENTO DIRETTO CON CORPO IN ACCIAIO INOX AISI 316L

DIRECT ACTING SOLENOID VALVES WITH BODY IN STAINLESS STEEL AISI 316L
 MAGNETVENTILE MIT DIREKTER BETÄTIGUNG MIT KÖRPER EDELSTAHL AISI 316L
 ELECTROVANNES A ACTIONNEMENT DIRECT AVEC CORPS EN ACIER INOX AISI 316L
 ELECTROVÁLVULAS DE ACCIONAMIENTO DIRECTO CON CUERPO DE ACERO INOX AISI 316L
 ELETRÓVALVULAS DE ACIONAMENTO DIRETO COM CORPO EM AÇO-INOX AISI 316L

2/2 NO **1/8" - 1/4"**



Anello di sfasamento argentato su richiesta
 Silver-plated shading ring on request
 Versilberter Schattierungsring auf anfrage
 Anneau d'ombrage argentée sur demande
 Anillo de sombreado plateado bajo pedido
 Anel de sombreamento banhado a prata sob pedido

Materiali e Componenti	IT	Materials and Components	GB	Materialien und Komponenten	DE
1 Corpo: Acciaio Inox AISI 316L 2 Tenute: NBR - EPDM - FKM 3 Tubo guida: Acciaio Inox 4 Nucleo fisso e mobile: Acciaio Inox AISI 430FR 5 Molle: Acciaio Inox 6 Anello di sfasamento: Rame		1 Body: Stainless steel AISI 316L 2 Seals: NBR - EPDM - FKM 3 Armature tube: Stainless steel 4 Fixed and mobile core: Stainless steel AISI 430FR 5 Springs: Stainless steel 6 Shading ring: Copper		1 Körper: Edelstahl AISI 316L 2 Dichtung: NBR, EPDM, FKM 3 Führungsrohr: Edelstahl 4 Kern: Edelstahl AISI 430FR 5 Feder: Edelstahl 6 Schattierung Ring: Kupfer	
Matériaux et Composants	FR	Materiales y componentes	ES	Materialis e Componentes	PT
1 Corps: Acier inox AISI 316L 2 Joints: NBR, EPDM, FKM 3 Tube de pilotage: Acier inox 4 Noyau: Acier inox AISI 430FR 5 Ressort: Acier inox 6 Anneaux d'ombrage : cuivre		1 Cuerpo: Acero inox AISI 316L 2 Juntas: NBR - EPDM - FKM 3 Tubo guía: Acero inox 4 Núcleo fijo y móvil: Acero inox AISI 430FR 5 Muelle: Acero inox 6 Anillo de sombreado: Cobre		1 Corpo: AISI 316L 2 Vedações: NBR, EPDM, FKM 3 Tubo Guia: Aço-inox 4 Núcleo fixo e móvel I: Aço-inox AISI 430FR 5 Mola: Aço-inox 6 Anel de sombreamento: Cobre	



Pressione massima ammissibile

Maximum allowable pressure

Max. Betriebsdruck

Pression de service max.

Presión máxima admisible

Pressão máxima admissível

40 bar



Tabella compatibilità e materiali

Compatibility and materials table

Beständigkeitsübersicht

Tableau de compatibilité des matériaux

Tabla de compatibilidad de materiales

Tabela de compatibilidade química

Pag. 0.21 - 0.22



Temperatura ambiente con bobine in classe H

Room temperature with coil class H

Raumtemperatur, mit Spule der Klasse H

Température ambiante, avec bobine classe H

Temperatura ambiente con bobina classe H

Temperatura ambiente com bobina de classe H

**- 10 °C
+ 80 °C**

OPZIONI SU RICHIESTA - OPTIONS ON REQUEST - OPTIONEN AUF ANFRAGE - OPTIONS SUR DEMANDE - OPCIONES BAJO PEDIDO - OPÇÕES SOB ENCOMENDA

Anello di sfasamento argentato - Silver-plated shading ring - Versilberter Schattierungsring
 Anneau d'ombrage argentée - Anillo de sombreado plateado - Anel de sombreamento banhado a prata

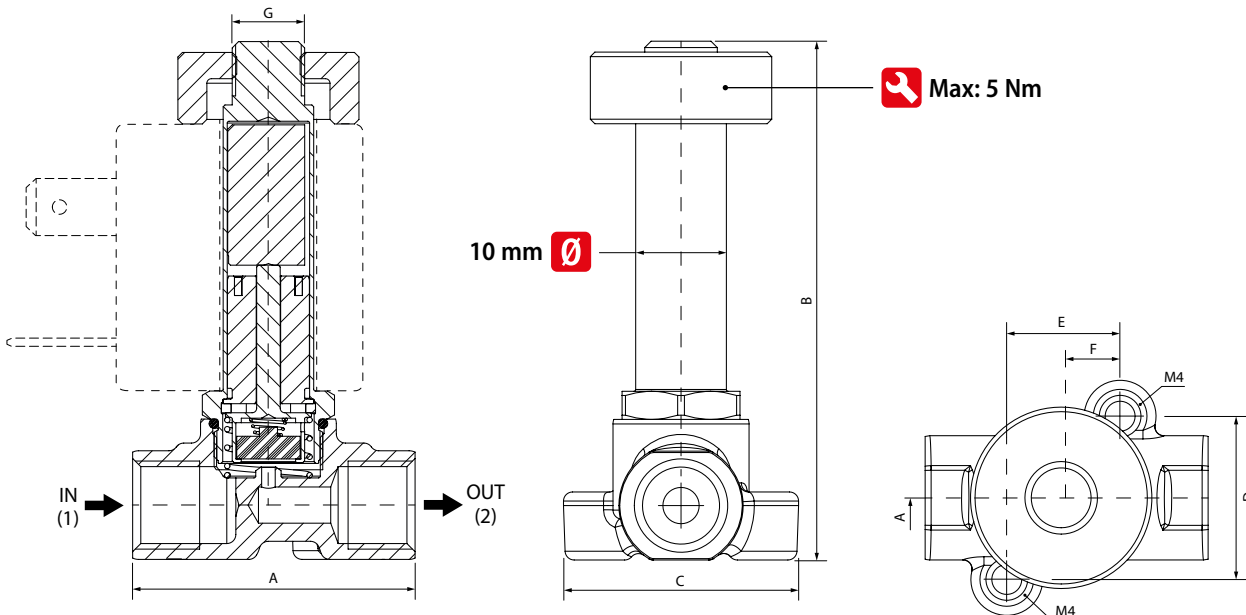
Versione idonea per utilizzo con ossigeno industriale - Version suitable for use with industrial oxygen - Version für industrie sauerstoff
 Version adaptée à une utilisation avec de l'oxygène industriel - Versión idónea para el uso con oxígeno industrial - Versão adequada para utilização com oxigênio industrial

Code	Materiale tenute Sealing materials Dichtungswerkstoffe Matériau joint Material juntas Material das vedações	Conessioni Port size Verbindungen Connexions Conexiones Conexões	Ø Orifizio Ø Orifice Ø Dn Ø Passage Ø Orificio Ø Orificio	Viscosità Viscosity Viskosität Viscosité Viscosidad Viscosidade	Kv	Pressione differenziale (OPD) Differential pressure (OPD) Differenzdruck (OPD) Pression différentielle (OPD) Presión diferencial (OPD) Pressão diferencial (OPD)			Potenza Power Leistung Puissance Potencia Potência			Bobine Coils Spulen Bobines Bobinas Bobinas		
						Min	Max DC	Max AC	DC W	AC VA	ATEX Ex m W	Size mm	Serie A - pag. 19.2 B - pag. 19.3 X - pag. 19.4	
①	①	ISO 228	mm	cSt	m ³ /h	Bar								
X1F 02 2 15 _ 0	N = NBR -10°C +90°C V = FKM -10°C +140°C E = EPDM -10°C +140°C	1/8"	1.5	25	0.06	0	-	18	18	-	7.5	-	22	A - SOL10
X1F 02 2 02 _ 0							18	18	8	11	-	30	B - SOL11	
X1F 02 2 25 _ 0							18	18	-	-	5.3	30	X - SOLX4	
X1F 02 2 03 _ 0							-	10	10	-	7.5	-	22	A - SOL10
X1F 03 2 15 _ 0	N = NBR -10°C +90°C V = FKM -10°C +140°C E = EPDM -10°C +140°C	1/4"	1.5	25	0.06	0	-	18	18	-	7.5	-	22	A - SOL10
X1F 03 2 02 _ 0							18	18	8	11	-	30	B - SOL11	
X1F 03 2 25 _ 0							-	10	10	-	7.5	-	22	A - SOL10
X1F 03 2 03 _ 0							10	10	-	-	5.3	30	X - SOLX4	

① Selezionare tenuta - Select seal material - Wählen Sie das Dichtungsmaterial aus - Sélectionner matériau d'étanchéité - Seleccionar material sellado - Seleccionar material de vedação

EPDM - P max= 2.5 bar: Con vapore - With steam - Mit dampf - Avec vapeur - Con vapor - Com vapor

Bobina non inclusa - Coil not included - Magnetspulen separat - Bobines non incluse - Bobina no incluida - Bobinas não incluídas



Size	A	B	C	D	E	F	G
1/8"	31.2	57.2	25.9	18	12.5	6.5	M8 x 1
1/4"	37	60.2	29	21	12	6	M8 x 1

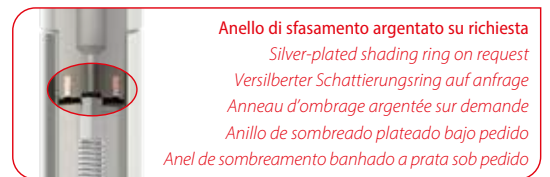
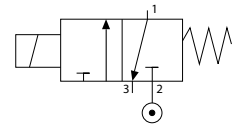
SERIE X1F

ELETTROVALVOLE AD AZIONAMENTO DIRETTO CON CORPO IN ACCIAIO INOX AISI 316L

DIRECT ACTING SOLENOID VALVES WITH BODY IN STAINLESS STEEL AISI 316L
 MAGNETVENTILE MIT DIREKTER BETÄTIGUNG MIT KÖRPER EDELSTAHL AISI 316L
 ELECTROVANNES A ACTIONNEMENT DIRECT AVEC CORPS EN ACIER INOX AISI 316L
 ELECTROVÁLVULAS DE ACCIONAMIENTO DIRECTO CON CUERPO DE ACERO INOX AISI 316L
 ELETRÓVALVULAS DE ACIONAMENTO DIRETO COM CORPO EM AÇO-INOX AISI 316L

3/2 NC

1/8" - 1/4"



Anello di sfasamento argentato su richiesta
 Silver-plated shading ring on request
 Versilberter Schattierungsring auf anfrage
 Anneau d'ombrage argentée sur demande
 Anillo de sombreado plateado bajo pedido
 Anel de sombreamento banhado a prata sob pedido

Materiali e Componenti	IT	Materials and Components	GB	Materialien und Komponenten	DE
1 Corpo: Acciaio Inox AISI 316L 2 Tenute: NBR - EPDM - FKM 3 Tubo guida: Acciaio Inox 4 Nucleo fisso e mobile: Acciaio Inox AISI 430FR 5 Molle: Acciaio Inox 6 Anello di sfasamento: Rame		1 Body: Stainless steel AISI 316L 2 Seals: NBR - EPDM - FKM 3 Armature tube: Stainless steel 4 Fixed and mobile core: Stainless steel AISI 430FR 5 Springs: Stainless steel 6 Shading ring: Copper		1 Körper: Edelstahl AISI 316L 2 Dichtung: NBR, EPDM, FKM 3 Führungsrohr: Edelstahl 4 Kern: Edelstahl AISI 430FR 5 Feder: Edelstahl 6 Schattierung Ring: Kupfer	
Matériaux et Composants	FR	Materiales y componentes	ES	Materialis e Componentes	PT
1 Corps: Acier inox AISI 316L 2 Joints: NBR, EPDM, FKM 3 Tube de pilotage: Acier inox 4 Noyau: Acier inox AISI 430FR 5 Ressort: Acier inox 6 Anneaux d'ombrage : cuivre		1 Cuerpo: Acero inox AISI 316L 2 Juntas: NBR - EPDM - FKM 3 Tubo guía: Acero inox 4 Núcleo fijo y móvil: Acero inox AISI 430FR 5 Muelle: Acero inox 6 Anillo de sombreado: Cobre		1 Corpo: AISI 316L 2 Vedações: NBR, EPDM, FKM 3 Tubo Guia: Aço-inox 4 Núcleo fixo e móvel I: Aço-inox AISI 430FR 5 Mola: Aço-inox 6 Anel de sombreamento: Cobre	



Pressione massima ammissibile
 Maximum allowable pressure
 Max. Betriebsdruck
 Pression de service max.
 Presión máxima admisible
 Pressão máxima admissível

40 bar



Tabella compatibilità e materiali
 Compatibility and materials table
 Beständigkeitsübersicht
 Tableau de compatibilité des matériaux
 Tabla de compatibilidad de materiales
 Tabela de compatibilidade química

Pag. 0.21 - 0.22



Temperatura ambiente con bobine in classe H
 Room temperature with coil class H
 Raumtemperatur, mit Spule der Klasse H
 Température ambiante, avec bobine classe H
 Temperatura ambiente con bobina classe H
 Temperatura ambiente com bobina de classe H

**- 10 °C
 + 80 °C**

OPZIONI SU RICHIESTA - OPTIONS ON REQUEST - OPTIONEN AUF ANFRAGE - OPTIONS SUR DEMANDE - OPCIONES BAJO PEDIDO - OPÇÕES SOB ENCOMENDA

Anello di sfasamento argentato - Silver-plated shading ring - Versilberter Schattierungsring
 Anneau d'ombrage argentée - Anillo de sombreado plateado - Anel de sombreamento banhado a prata

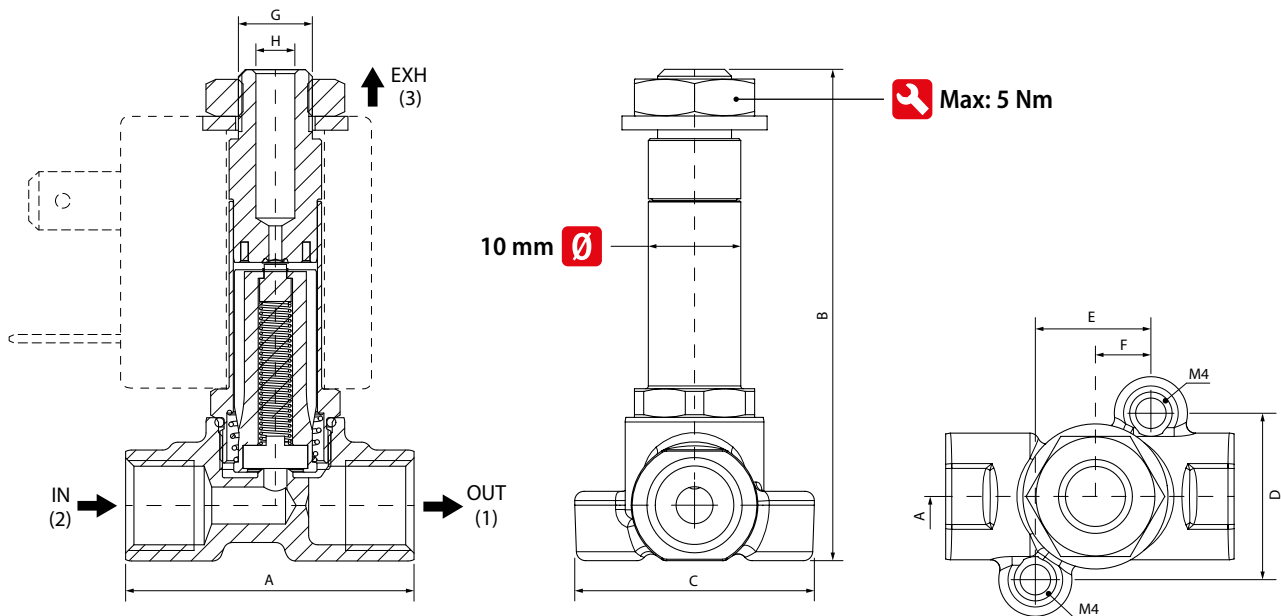
Versione idonea per utilizzo con ossigeno industriale - Version suitable for use with industrial oxygen - Version für industrie sauerstoff
 Version adaptée à une utilisation avec de l'oxygène industriel - Versión idónea para el uso con oxígeno industrial - Versão adequada para utilização com oxigênio industrial

Code	Materiale tenute Sealing materials Dichtungswerkstoffe Matériau joint Material juntas Material das vedações	Conessioni Port size Verbindungen Connexions Conexiones Conexões	Ø Orifizio Ø Orifice Ø Dn Ø Passage Ø Orificio Ø Orificio		Viscosità Viscosity Viskosität Viscosité Viscosidad Viscosidade	Kv	Pressione differenziale (OPD) Differential pressure (OPD) Differenzdruck (OPD) Pression différentielle (OPD) Presión diferencial (OPD) Pressão diferencial (OPD)			Potenza Power Leistung Puissance Potencia Potência			Bobine Coils Spulen Bobines Bobinas Bobinas					
			mm	mm			cSt	m ³ /h	Bar	Bar	Bar	DC W	AC VA	ATEX Ex m W	Size mm	Serie A - pag. 19.2 B - pag. 19.3 X - pag. 19.4		
①	①	ISO 228	IN	EXH		IN	EXH	Min	Max DC	Max AC								
X1F 02 3 15 _0	N = NBR -10°C +90°C V = FKM -10°C +140°C E = EPDM -10°C +140°C	1/8"	1.5	1.4	25	0.06	0.05	0	13.5	13.5	13.5	6.5	7.5	-	22	A - SOL10		
										13.5	13.5	13.5	8	11	-	30	B - SOL11	
											13.5	13.5	13.5	-	-	5.3	30	X - SOLX4
X1F 02 3 02 _0			2	1.4	25	0.09	0.05	0	8	8	8	8	6.5	7.5	-	22	A - SOL10	
											8	8	8	8	11	-	30	B - SOL11
									8	8	8	-	-	5.3	30	X - SOLX4		
X1F 02 3 25 _0	N = NBR -10°C +90°C V = FKM -10°C +140°C E = EPDM -10°C +140°C	1/4"	2.5	1.4	25	0.15	0.05	0	5	5	5	6.5	7.5	-	22	A - SOL10		
										5	5	5	8	11	-	30	B - SOL11	
											5	5	5	-	-	5.3	30	X - SOLX4
X1F 02 3 03 _0			3	1.4	25	0.20	0.05	0	3.5	3.5	3.5	3.5	6.5	7.5	-	22	A - SOL10	
											3.5	3.5	3.5	8	11	-	30	B - SOL11
									3.5	3.5	3.5	-	-	5.3	30	X - SOLX4		
X1F 02 3 04 _0	N = NBR -10°C +90°C V = FKM -10°C +140°C E = EPDM -10°C +140°C	1/4"	4	1.4	25	0.30	0.05	0	1	1	1	6.5	7.5	-	22	A - SOL10		
											1	1	1	8	11	-	30	B - SOL11
											1	1	1	-	-	5.3	30	X - SOLX4
X1F 03 3 15 _0			1.5	1.4	25	0.06	0.05	0	13.5	13.5	13.5	13.5	6.5	7.5	-	22	A - SOL10	
											13.5	13.5	13.5	8	11	-	30	B - SOL11
									13.5	13.5	13.5	-	-	5.3	30	X - SOLX4		
X1F 03 3 02 _0	N = NBR -10°C +90°C V = FKM -10°C +140°C E = EPDM -10°C +140°C	1/4"	2	1.4	25	0.09	0.05	0	8	8	8	6.5	7.5	-	22	A - SOL10		
											8	8	8	8	11	-	30	B - SOL11
											8	8	8	-	-	5.3	30	X - SOLX4
X1F 03 3 25 _0			2.5	1.4	25	0.15	0.05	0	5	5	5	5	6.5	7.5	-	22	A - SOL10	
											5	5	5	8	11	-	30	B - SOL11
									5	5	5	-	-	5.3	30	X - SOLX4		
X1F 03 3 03 _0	N = NBR -10°C +90°C V = FKM -10°C +140°C E = EPDM -10°C +140°C	1/4"	3	1.4	25	0.20	0.05	0	3.5	3.5	3.5	6.5	7.5	-	22	A - SOL10		
											3.5	3.5	3.5	8	11	-	30	B - SOL11
											3.5	3.5	3.5	-	-	5.3	30	X - SOLX4
X1F 03 3 04 _0			4	1.4	25	0.30	0.05	0	1	1	1	1	6.5	7.5	-	22	A - SOL10	
											1	1	1	8	11	-	30	B - SOL11
									1	1	1	-	-	5.3	30	X - SOLX4		

① Selezionare tenuta - Select seal material - Wählen Sie das Dichtungsmaterial aus - Sélectionner matériau d'étanchéité - Seleccionar material sellado - Seleccionar material de vedação

EPDM - P max= 2.5 bar: Con vapore - With steam - Mit Dampf - Avec vapeur - Con vapor - Com vapor

Bobina non inclusa - Coil not included - Magnetspulen separat - Bobines non incluse - Bobina no incluida - Bobinas não incluidas



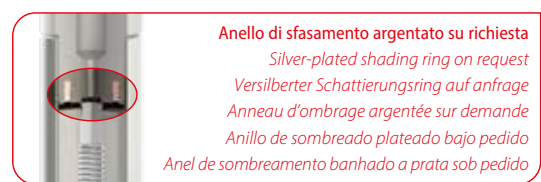
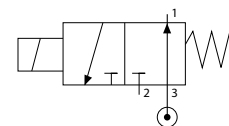
Size	A	B	C	D	E	F	G	H
1/8"	31.2	53.1	25.9	18	12.5	6	M8 x 0.75	M5
1/4"	37	56.1	29	21	12	6	M8 x 0.75	M5

SERIE X1F

ELETTROVALVOLE AD AZIONAMENTO DIRETTO CON CORPO IN ACCIAIO INOX AISI 316L

DIRECT ACTING SOLENOID VALVES WITH BODY IN STAINLESS STEEL AISI 316L
 MAGNETVENTILE MIT DIREKTER BETÄTIGUNG MIT KÖRPER EDELSTAHL AISI 316L
 ELECTROVANNES A ACTIONNEMENT DIRECT AVEC CORPS EN ACIER INOX AISI 316L
 ELECTROVÁLVULAS DE ACCIONAMIENTO DIRECTO CON CUERPO DE ACERO INOX AISI 316L
 ELETRÓVALVULAS DE ACIONAMENTO DIRETO COM CORPO EM AÇO-INOX AISI 316L

3/2 NO **1/8" - 1/4"**



Anello di sfasamento argentato su richiesta
 Silver-plated shading ring on request
 Versilberter Schattierungsring auf Anfrage
 Anneau d'ombrage argentée sur demande
 Anillo de sombreado plateado bajo pedido
 Anel de sombreamento banhado a prata sob pedido

Materiali e Componenti	IT	Materials and Components	GB	Materialien und Komponenten	DE
1 Corpo: Acciaio Inox AISI 316L 2 Tenute: NBR - EPDM - FKM 3 Tubo guida: Acciaio Inox 4 Nucleo fisso e mobile: Acciaio Inox AISI 430FR 5 Molle: Acciaio Inox 6 Anello di sfasamento: Rame		1 Body: Stainless steel AISI 316L 2 Seals: NBR - EPDM - FKM 3 Armature tube: Stainless steel 4 Fixed and mobile core: Stainless steel AISI 430FR 5 Springs: Stainless steel 6 Shading ring: Copper		1 Körper: Edelstahl AISI 316L 2 Dichtung: NBR, EPDM, FKM 3 Führungsrohr: Edelstahl 4 Kern: Edelstahl AISI 430FR 5 Feder: Edelstahl 6 Schattierung Ring: Kupfer	
Matériaux et Composants	FR	Materiales y componentes	ES	Materialis e Componentes	PT
1 Corps: Acier inox AISI 316L 2 Joints: NBR, EPDM, FKM 3 Tube de pilotage: Acier inox 4 Noyau: Acier inox AISI 430FR 5 Ressort: Acier inox 6 Anneaux d'ombrage : cuivre		1 Cuerpo: Acero inox AISI 316L 2 Juntas: NBR - EPDM - FKM 3 Tubo guía: Acero inox 4 Núcleo fijo y móvil: Acero inox AISI 430FR 5 Muelle: Acero inox 6 Anillo de sombreado: Cobre		1 Corpo: AISI 316L 2 Vedações: NBR, EPDM, FKM 3 Tubo Guia: Aço-inox 4 Núcleo fixo e móvel I: Aço-inox AISI 430FR 5 Mola: Aço-inox 6 Anel de sombreamento: Cobre	



Pressione massima ammissibile
 Maximum allowable pressure
 Max. Betriebsdruck
 Pression de service max.
 Presión máxima admisible
 Pressão máxima admissível

40 bar



Tabella compatibilità e materiali
 Compatibility and materials table
 Beständigkeitsübersicht
 Tableau de compatibilité des matériaux
 Tabla de compatibilidad de materiales
 Tabela de compatibilidade química

Pag. 0.21 - 0.22



Temperatura ambiente con bobine in classe H
 Room temperature with coil class H
 Raumtemperatur, mit Spule der Klasse H
 Température ambiante, avec bobine classe H
 Temperatura ambiente con bobina classe H
 Temperatura ambiente com bobina de classe H

**- 10 °C
 + 80 °C**

OPZIONI SU RICHIESTA - OPTIONS ON REQUEST - OPTIONEN AUF ANFRAGE - OPTIONS SUR DEMANDE - OPCIONES BAJO PEDIDO - OPÇÕES SOB ENCOMENDA

Anello di sfasamento argentato - Silver-plated shading ring - Versilberter Schattierungsring
 Anneau d'ombrage argentée - Anillo de sombreado plateado - Anel de sombreamento banhado a prata

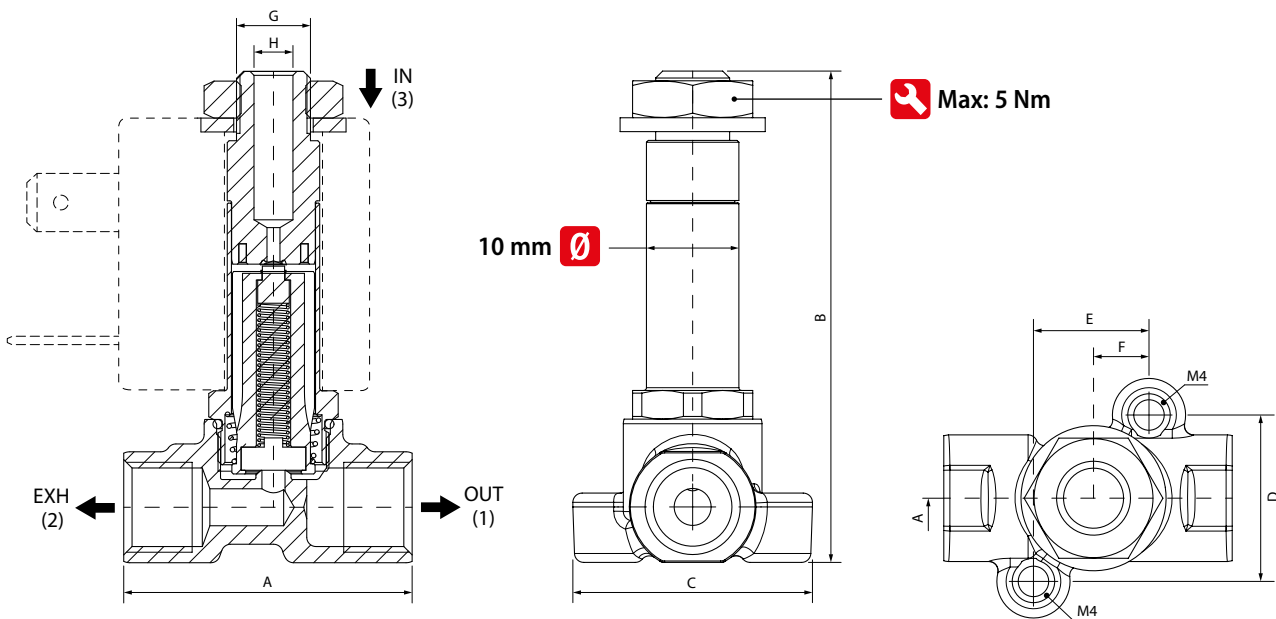
Versione idonea per utilizzo con ossigeno industriale - Version suitable for use with industrial oxygen - Version für industrie sauerstoff
 Version adaptée à une utilisation avec de l'oxygène industriel - Versión idónea para el uso con oxígeno industrial - Versão adequada para utilização com oxigênio industrial

Code	Materiale tenute Sealing materials Dichtungswerkstoffe Matériau joint Material juntas Material das vedações	Conessioni Port size Verbindungen Connexions Conexiones Conexões	Ø Orifizio Ø Orifice Ø Dn Ø Passage Ø Orificio Ø Orificio		Viscosità Viscosity Viskosität Viscosité Viscosidad Viscosidade	Kv	Pressione differenziale (OPD) Differential pressure (OPD) Differenzdruck (OPD) Pression différentielle (OPD) Presión diferencial (OPD) Pressão diferencial (OPD)			Potenza Power Leistung Puissance Potencia Potência			Bobine Coils Spulen Bobines Bobinas Bobinas		
			mm	mm			cSt	m ³ /h	Bar	Bar	Bar	DC	AC	ATEX Ex m	Size
		ISO 228	IN	EXH		IN	EXH	Min	Max DC	Max AC					
X1F 02 4 15 _ 0	N = NBR -10°C +90°C	1/8"	1.4	1.5	25	0.05	0.06	0	10	10	6.5	7.5	-	22	A - SOL10
X1F 02 4 02 _ 0	V = FKM -10°C +140°C		1.4	2	25	0.05	0.09	0	10	10	8	11	-	30	B - SOL11
X1F 02 4 25 _ 0	E = EPDM -10°C +140°C		1.4	2.5	25	0.05	0.15	0	10	10	-	-	5.3	30	X - SOLX4
X1F 03 4 15 _ 0	N = NBR -10°C +90°C	1/4"	1.4	1.5	25	0.05	0.06	0	10	10	6.5	7.5	-	22	A - SOL10
X1F 03 4 02 _ 0	V = FKM -10°C +140°C		1.4	2	25	0.05	0.09	0	10	10	8	11	-	30	B - SOL11
X1F 03 4 25 _ 0	E = EPDM -10°C +140°C		1.4	2.5	25	0.05	0.15	0	10	10	-	-	5.3	30	X - SOLX4

① **Selezionare tenuta - Select seal material - Wählen Sie das Dichtungsmaterial aus - Sélectionner matériau d'étanchéité - Seleccionar material sellado - Seleccionar material de vedação**

EPDM - P max= 2.5 bar: Con vapore - With steam - Mit dampf - Avec vapeur - Con vapor - Com vapor

Bobina non inclusa - Coil not included - Magnetspulen separat - Bobines non incluse - Bobina no incluida - Bobinas não incluidas



Size	A	B	C	D	E	F	G	H
1/8"	31.2	53.1	25.9	18	12.5	6	M8 x 0.75	M5
1/4"	37	56.1	29	21	12	6	M8 x 0.75	M5

2/2 NC


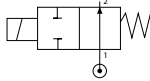



□ 25 x 25 mm

Pag. 3.4




2/2 NO


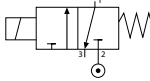



□ 25 x 25 mm

Pag. 3.6




3/2 NC

□ 25 x 25 mm

Pag. 3.8



3/2 NO




□ 25 x 25 mm

Pag. 3.10



22 mm



Serie A

Pag. 19.2



30 mm



Serie B

Pag. 19.3



30 mm



Serie X

Pag. 19.4




Connectors

Pag. 19.9 / 19.10



**ELETTROVALVOLE AD AZIONAMENTO DIRETTO CON FISSAGGIO
A FLANGIA E CORPO IN OTTONE CW510L - Pb ≤ 0.1%**

*DIRECT ACTING SOLENOID VALVES WITH
FLANGE FIXING AND BRASS CW510L BODY - Pb ≤ 0.1%*

*MAGNETVENTILE MIT DIREKTER BETÄTIGUNG
FLANSCHBEFESTIGUNG UND MESSINGGEHÄUSE CW510L - Pb 0,1 %*

*ELECTROVANNES A ACTIONNEMENT DIRECT AVEC FIXATION
DE LA BRIDE ET CORPS EN LAITON CW510L - Pb 0,1 %*

*ELECTROVÁLVULAS DE ACCIONAMIENTO DIRECTO CON FIJACIÓN
DE BRIDA Y CUERPO DE LATÓN CW510L - Pb 0.1%*

*ELETROVÁLVULAS DE ACIONAMENTO DIRETO COM FIXAÇÃO
DE FLANGE E CORPO DE LATÃO CW510L - Pb ≤ 0.1%*

CW510L / Pb ≤ 0.1%

Ex
II 2 G/D Ex h

C **RU** **US**
CSA C22.2



Le elettrovalvole serie F1F - azionamento diretto aventi corpo con fissaggio a flangia 25x25 mm in ottone CW510L - si differenziano per il montaggio su sottobase e per il basso contenuto di piombo ($\leq 0,1\%$) che ne consente l'utilizzo in applicazioni alimentari.

Spazi di ingombro ridotti, prestazioni elevate con bobine di diverse taglie e potenze (serie A e B), basso consumo energetico ed installazione in aree potenzialmente esplosive (con bobina ATEX serie X).

Principali vantaggi

- Installazione su sottobase (25x25mm)
- Corpo in ottone CW510L (Pb $\leq 0,1\%$)
- Guarnizioni certificate FDA e conformi NSF51
- Grado di protezione IP67 con connettore e kit antiumidità
- Potenza bobine:
serie A - 22 mm - 6.5W / 7.5VA
serie B - 30 mm - 8W / 11VA

Applicazioni

- Industria alimentare
- Coffee & vending
- Compressori
- Acqua e Liquidi neutri
- Aria e Gas inerti
- Oli, Vapore, Vuoto

The F1F series solenoid valves - direct acting with 25x25 mm flange fixing body in CW510L brass - differ for the sub-base installation and for the low lead content ($\leq 0,1\%$) which allows the use in food applications.

Small overall dimensions, high performance with coils of different sizes and powers (series A and B), low energy consumption and installation in potentially explosive environments (with ATEX coil X series).

Main advantages

- Sub-base installation (25x25mm)
- CW510L brass body (Pb $\leq 0,1\%$)
- FDA certified and NSF51 compliant seals
- IP67 protection degree with connector and anti-humidity kit
- Power Coils:
Series A - 22 mm - 6.5W / 7.5VA
Series B - 30 mm - 8W / 11VA

Applications

- Food industry
- Coffee & vending
- Compressors
- Water and Neutral liquids
- Air and Inert gases
- Oils, Steam, Vacuum

"Die direktwirkenden Magnetventile der Serie F1F - mit 25x25mm Flanschbefestigung bestehen aus CW510L-Messing (Bleigehalt $\leq 0,1\%$) und sind somit für den Einsatz in Lebensmittelanwendungen geeignet. Kompakte Bauformen, hohe Leistungen und Spulen verschiedener Größen (Serien A und B), mit geringem Energieverbrauch sowie die Installation in explosionsgefährdeten Umgebungen (mit ATEX-Spule Serie X) bieten einen weiten Anwendungsbereich."

Vorteile

- Montage auf einer Grundplatte (25x25mm)
- Gehäuse aus CW510L-Messing (Pb $\leq 0,1\%$)
- FDA-zertifizierte und NSF51-konforme Dichtungen
- IP67 Schutz mit Stecker und Feuchtigkeitsschutz-Kit
- Spulen:
Series A - 22 mm - 6.5W / 7.5VA
Series B - 30 mm - 8W / 11VA

Anwendungen

- Lebensmittelindustrie
- Kaffee und Verkaufsautomaten
- Kompressoren
- Wasser und neutrale Flüssigkeiten
- Luft und inerte Gase
- Öle, Dampf, Vakuum

Les électrovannes de la série F1F - à commande directe avec corps de fixation à bride 25x25 mm en laiton CW510L - se distinguent par l'installation sur embase et par la faible teneur en plomb ($\leq 0,1\%$) qui permet l'utilisation dans des applications alimentaires.

Faible encombrement, haute performance avec bobines de différentes tailles et puissances (séries A et B), faible consommation d'énergie et installation dans des environnements potentiellement explosifs (avec bobine ATEX série X).

Principaux avantages

- Installation sous-base (25x25mm)
- Corps en laiton CW510L (Pb $\leq 0,1\%$)
- Joints certifiés FDA et conformes NSF51
- Bobines
Série A - 22 mm - 6.5W / 7.5VA
Série B - 30 mm - 8W / 11VA
- Degré de protection IP67 avec connecteur et kit anti-humidité

Applications

- Industrie alimentaire
- Machines à café et distributeurs automatiques
- Compresseurs
- Eau et liquides neutres
- Air et gaz inertes
- Huiles, Vapeur, Aspirateur

Las electroválvulas de la serie F1F, de accionamiento directo con cuerpo de fijación de brida de 25x25 mm en latón CW510L, se diferencian por la instalación en la subbase y por el bajo contenido de plomo ($\leq 0,1\%$) que permite el uso en aplicaciones alimentarias.

De pequeñas dimensiones, alto rendimiento con bobinas de diferentes tamaños y potencias (series A y B), bajo consumo energético e instalación en ambientes potencialmente explosivos (con bobina ATEX serie X).

Principales ventajas

- Instalación sub-base (25x25mm)
- Cuerpo de latón CW510L (Pb $\leq 0,1\%$)
- Sellos certificados por FDA y compatibles con NSF51
- Grado de protección IP67 con conector y kit antihumedad
- Bobinas
Series A - 22 mm - 6.5W / 7.5VA
Series B - 30 mm - 8W / 11VA

Aplicaciones

- Industria de alimentos
- Café y vending
- Compresores
- Agua y Líquidos Neutros
- Aire y gases inertes
- Aceites, Vapor, Vacío

As válvulas solenóides da série F1F - ação direta com corpo de fixação por flange 25x25mm em latão CW510L - diferenciam-se pela instalação na sub-base e pelo baixo teor de chumbo ($\leq 0,1\%$) que permite o uso em aplicações alimentícias.

Dimensões gerais reduzidas, alto desempenho com bobinas de diferentes tamanhos e potências (séries A e B), baixo consumo de energia e instalação em ambientes potencialmente explosivos (com bobina ATEX série X).

Principais vantagens

- Instalação por sub-base (25x25mm)
- Corpo em latão CW510L (Pb $\leq 0,1\%$)
- Certificadas pela FDA e compatíveis com NSF51
- Grau de proteção IP67 com conector e kit anti-umidade
- Bobinas
Series A - 22 mm - 6.5W / 7.5VA
Series B - 30 mm - 8W / 11VA

Aplicações

- Indústria alimentícia
- Café & vending machines
- Compressores
- Água e líquidos neutros
- Ar e gases inertes
- Óleos, Vapor, Vácuo



Caratteristiche generali - F1F	IT	General features - F1F	GB	Eigenschaften - F1F	DE
- Posizione di montaggio universale - Kit operatore Ø 10 mm - Certificazione valvola: ATEX II 2G/D Ex h - Bobine: classe H - - CSA C22.2 - ATEX II 2G/D Ex m		- Universal mounting position - Operator kit Ø 10 mm - Valve certification: ATEX II 2G/D Ex h - Coils: Class H - - CSA C22.2 - ATEX II 2G/D Ex m		- Einbaulage universal - Bausatz Ø 10 mm - Ventilzertifizierung: ATEX II 2G/D Ex h - Spulenkategorie H - - CSA C22.2 - ATEX II 2G/D Ex m	
Caractéristiques générales - F1F	FR	Características generales - F1F	ES	Características gerais - F1F	PT
- Position de montage universelle - Kit Pilote Ø 10 mm. - Certification des vannes: ATEX II 2G/D Ex h - Bobine: classe H - - CSA C22.2 - ATEX II 2G/D Ex m		- Posición de montaje universal - Kit operador Ø 10 mm - Certificación de válvula: ATEX II 2G/D Ex h - Bobinas: clase H - - CSA C22.2 - ATEX II 2G/D Ex m		- Posição de montagem universal - Kit do operador Ø 10 mm - Certificação de válvula: ATEX II 2G/D Ex h - Bobinas: classe H - - CSA C22.2 - ATEX II 2G/D Ex m	



Tabella dei codici di ordinazione

Ordering codes

Bestellschlüssel

Composition de la référence de commande

Tabla para definición de código

Tabela de código de compra

SERIE	Connessione Port size Masse Dimension Tamaño Tamanho	Funzione Functions Funktion Fonctions Función Funções	Orifizio Orifice Dn Passage Orifizio Orificio	Materiale guarnizioni Sealing materials Dichtungswerkstoffe Matériaux des joints Materialjuntas Material das vedações	Versione Version Ausführung Version Versión Versão
-------	---	--	--	--	---

F 1 F

J 4

1

1 5

N

0

J4 = □25x25 mm

1 = 2/2 NC Normalmente chiusa
 Normally closed
 Normalerweise geschlossen
 Normalement fermée
 Normalmente cerrada
 Normalmente fechada

2 = 2/2 NO Normalmente aperta
 Normally open
 Normalerweise offen
 Normalement ouvert
 Normalmente abierta
 Normalmente aberta

3 = 3/2 NC Normalmente chiusa
 Normally closed
 Normalerweise geschlossen
 Normalement fermée
 Normalmente cerrada
 Normalmente fechada

4 = 3/2 NO Normalmente aperta
 Normally open
 Normalerweise offen
 Normalement ouvert
 Normalmente abierta
 Normalmente aberta

15 = 1.5 mm

02 = 2 mm

25 = 2.5 mm

N = NBR

E = EPDM

V = FKM

0 = Standard

BOBINE: SERIE A, B, X	PAG: 19.2 / 19.3 / 19.4	CONNETTORI	PAG: 19.9 / 19.10
COILS: SERIES A, B, X	PAG: 19.2 / 19.3 / 19.4	CONNECTORS	PAG: 19.9 / 19.10
SPULEN: SERIES A, B, X	PAG: 19.2 / 19.3 / 19.4	STECKER	PAG: 19.9 / 19.10
BOBINES: SÉRIES A, B, X	PAG: 19.2 / 19.3 / 19.4	CONNECTEURS	PAG: 19.9 / 19.10
BOBINAS: SERIES A, B, X	PAG: 19.2 / 19.3 / 19.4	CONECTORES	PAG: 19.9 / 19.10
BOBINAS: SÉRIES A, B, X	PAG: 19.2 / 19.3 / 19.4	CONECTORES	PAG: 19.9 / 19.10

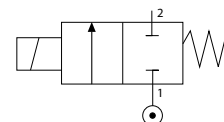
SERIE F1F

ELETTOVALVOLE AD AZIONAMENTO DIRETTO CON FISSAGGIO A FLANGIA E CORPO IN OTTONE CW510L

DIRECT ACTING SOLENOID VALVES WITH FLANGE FIXING AND BRASS CW510L BODY
 MAGNETVENTILE MIT DIREKTER BETÄTIGUNG FLANSCHBEFESTIGUNG UND MESSINGGEHÄUSE CW510L
 ELECTROVANNES A ACTIONNEMENT DIRECT AVEC FIXATION DE LA BRIDE ET CORPS EN LAITON CW510L
 ELECTROVÁLVULAS DE ACCIONAMIENTO DIRECTO CON FIJACIÓN DE BRIDA Y CUERPO DE LATÓN CW510L
 ELETROVÁLVULAS DE ACIONAMENTO DIRETO COM FIXAÇÃO DE FLANGE E CORPO DE LATÃO CW510L

2/2 NC

25 x 25 mm



**CW510L
Pb ≤ 0.1%**

Materiali e Componenti	IT	Materials and Components	GB	Materialien und Komponenten	DE
<ol style="list-style-type: none"> Corpo: Ottone CW510L - Pb ≤ 0.1% Tenute: NBR - EPDM - FKM Tubo guida: Acciaio Inox Nucleo fisso e mobile: Acciaio Inox AISI 430FR Molle: Acciaio Inox 		<ol style="list-style-type: none"> Body: Brass CW510L - Pb ≤ 0.1% Seals: NBR - EPDM - FKM Armature tube: Stainless steel Fixed and mobile core: Stainless steel AISI 430FR Springs: Stainless steel 		<ol style="list-style-type: none"> Körper: Messing CW510L - Pb ≤ 0.1% Dichtung: NBR, EPDM, FKM Führungsrohr: Edelstahl Kern: Edelstahl AISI 430FR Feder: Edelstahl 	
Matériaux et Composants	FR	Materiales y componentes	ES	Materialis e Componentes	PT
<ol style="list-style-type: none"> Corps: Laiton CW510L - Pb ≤ 0.1% Joints: NBR, EPDM, FKM Tube de pilotage: Acier inox Noyau: Acier inox AISI 430FR Ressort: Acier inox 		<ol style="list-style-type: none"> Cuerpo: Latón CW510L - Pb ≤ 0.1% Juntas: NBR - EPDM - FKM Tubo guía: Acero inox Núcleo fijo y móvil: Acero inox AISI 430FR Muelle: Acero inox 		<ol style="list-style-type: none"> Corpo: Latão CW510L - Pb ≤ 0.1% Vedações: NBR, EPDM, FKM Tubo Guia: Aço-inox Núcleo fixo e móvel I: Aço-inox AISI 430FR Mola: Aço-inox 	



Pressione massima ammissibile
 Maximum allowable pressure
 Max. Betriebsdruck
 Pression de service max.
 Presión máxima admisible
 Pressão máxima admissível

40 bar



Tabella compatibilità e materiali
 Compatibility and materials table
 Beständigkeitsübersicht
 Tableau de compatibilité des matériaux
 Tabla de compatibilidad de materiales
 Tabela de compatibilidade química

Pag. 0.21 - 0.22



Temperatura ambiente con bobine in classe H
 Room temperature with coil class H
 Raumtemperatur, mit Spule der Klasse H
 Température ambiante, avec bobine classe H
 Temperatura ambiente con bobina clase H
 Temperatura ambiente com bobina de classe H

**- 10 °C
+ 80 °C**

OPZIONI SU RICHIESTA - OPTIONS ON REQUEST - OPTIONEN AUF ANFRAGE - OPTIONS SUR DEMANDE - OPCIONES BAJO PEDIDO - OPÇÕES SOB ENCOMENDA

Versione idonea per utilizzo con ossigeno industriale - Version suitable for use with industrial oxygen - Version für industrie sauerstoff
 Version adaptée à une utilisation avec de l'oxygène industriel - Versión idónea para el uso con oxígeno industrial - Versão adequada para utilização com oxigênio industrial

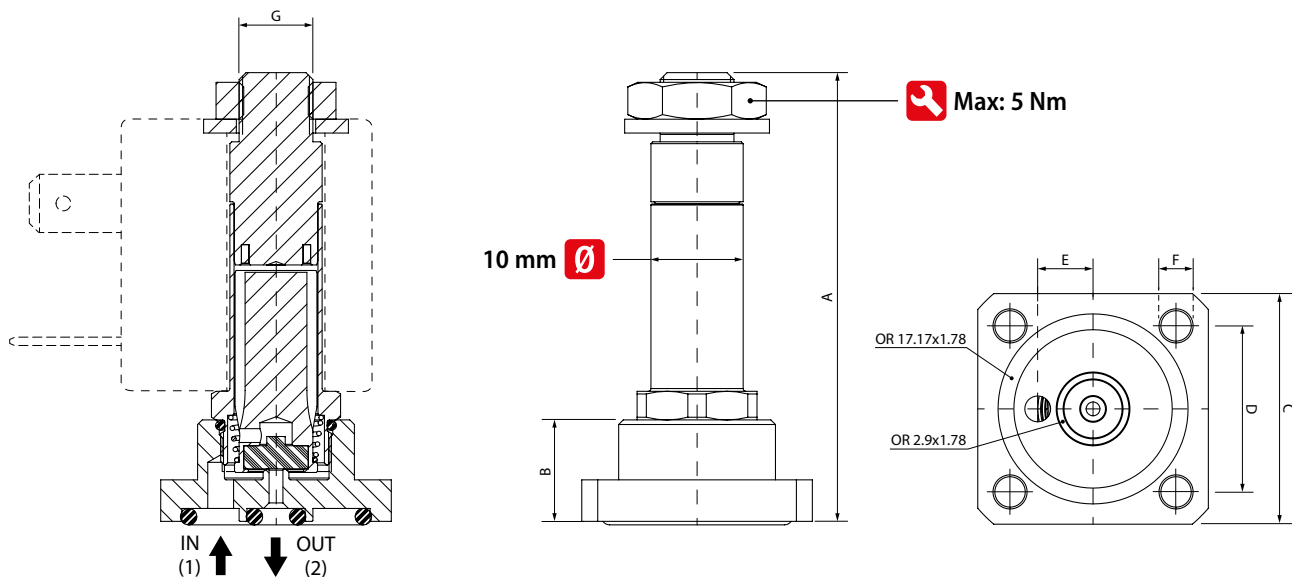
Trattamento superficiale di nichelatura chimica componenti in ottone - Chemical nickel plating treatment for brass components - Chemische vernickelung Messingkomponenten
 Traitement surface nickelage chimique composants laiton - Tratamiento superficial niquelatura química componentes latón - Tratamento superficial niquelação química componentes latão

Code	Materiale tenute Sealing materials Dichtungswerkstoffe Matériau joint Material juntas Material das vedações	Conessioni Port size Verbindungen Connexions Conexiones Conexões	Ø Orifizio Ø Orifice Ø Dn Ø Passage Ø Orificio Ø Orificio	Viscosità Viscosity Viskosität Viscosité Viscosidad Viscosidade	Kv	Pressione differenziale (OPD) Differential pressure (OPD) Differenzdruck (OPD) Pression différentielle (OPD) Presión diferencial (OPD) Pressão diferencial (OPD)			Potenza Power Leistung Puissance Potencia Potência			Bobine Coils Spulen Bobines Bobinas Bobinas						
						mm	cSt	m ³ /h	Min	Max DC	Max AC	DC W	AC VA	ATEX Ex m W	Size mm	Serie A - pag. 19.2 B - pag. 19.3 X - pag. 19.4		
F1F J4 1 15 _ 0	N = NBR -10°C +90°C	□ 25x25 mm	1.5	25	0.06	0	16	30	6.5	7.5	-	22	A - SOL10					
F1F J4 1 02 _ 0	V = FKM -10°C +140°C						40	40						8	11	-	30	B - SOL11
F1F J4 1 25 _ 0	E = EPDM -10°C +140°C						40	40										
		12	25	6.5	7.5	-	22	A - SOL10										
		30	40						8	11	-	30	B - SOL11					
		18	35											-	-	5.3	30	X - SOLX4
		4.5	18	6.5	7.5	-	22	A - SOL10										
		13	30						8	11	-	30	B - SOL11					
		6	12											-	-	5.3	30	X - SOLX4

① **Selezionare tenuta** - Select seal material - Wählen Sie das Dichtungsmaterial aus - Sélectionner matériau d'étanchéité - Seleccionar material sellado - Seleccionar material de vedação

EPDM - P max= 2.5 bar: Con vapore - With steam - Mit dampf - Avec vapeur - Con vapor - Com vapor

Bobina non inclusa - Coil not included - Magnetspulen separat - Bobines non incluse - Bobina no incluida - Bobinas não incluidas



Size	A	B	C	D	E	F	G
□ 25x25 mm	48.65	11	25	18	6	3.3	M8 x 0.75

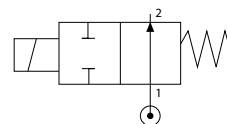
SERIE F1F

ELETTROVALVOLE AD AZIONAMENTO DIRETTO CON FISSAGGIO A FLANGIA E CORPO IN OTTONE CW510L

*DIRECT ACTING SOLENOID VALVES WITH FLANGE FIXING AND BRASS CW510L BODY
MAGNETVENTILE MIT DIREKTER BETÄTIGUNG FLANSCHBEFESTIGUNG UND MESSINGGEHÄUSE CW510L
ELECTROVANNES A ACTIONNEMENT DIRECT AVEC FIXATION DE LA BRIDE ET CORPS EN LAITON CW510L
ELECTROVÁLVULAS DE ACCIONAMIENTO DIRECTO CON FIJACIÓN DE BRIDA Y CUERPO DE LATÓN CW510L
ELETRÓVÁLVULAS DE ACIONAMENTO DIRETO COM FIXAÇÃO DE FLANGE E CORPO DE LATÃO CW510L*

2/2 NO

25 x 25 mm



**CW510L
Pb ≤ 0.1%**



*Tubo guida in Acciaio Inox su richiesta
Stainless Steel armature tube on request
Führungsrohr aus Edelstahl auf anfrage
Tube de pilotage en Acier Inox sur demande
Tubo guíae en Acero Inox bajo pedido
Tubo Guia de Aço-Inox sob pedido*

Materiali e Componenti

IT

- 1 Corpo: Ottone CW510L - Pb ≤ 0.1%
- 2 Tenute: NBR - EPDM - FKM
- 3 Tubo guida: Ottone
- 4 Nucleo fisso e mobile: Acciaio Inox AISI 430FR
- 5 Molle: Acciaio Inox

Materials and Components

GB

- 1 Body: Brass CW510L - Pb ≤ 0.1%
- 2 Seals: NBR - EPDM - FKM
- 3 Armature tube: Brass
- 4 Fixed and mobile core: Stainless steel AISI 430FR
- 5 Springs: Stainless steel

Materialien und Komponenten

DE

- 1 Körper: Messing CW510L - Pb ≤ 0.1%
- 2 Dichtung: NBR, EPDM, FKM
- 3 Führungsrohr: Messing
- 4 Kern: Edelstahl AISI 430FR
- 5 Feder: Edelstahl

Matériaux et Composants

FR

- 1 Corps: Laiton CW510L - Pb ≤ 0.1%
- 2 Joints: NBR, EPDM, FKM
- 3 Tube de pilotage: Laiton
- 4 Noyau: Acier inox AISI 430FR
- 5 Ressort: Acier inox

Materiales y componentes

ES

- 1 Cuerpo: Latón CW510L - Pb ≤ 0.1%
- 2 Juntas: NBR - EPDM - FKM
- 3 Tubo guía: Latón
- 4 Núcleo fijo y móvil: Acero inox AISI 430FR
- 5 Muelle: Acero inox

Materialis e Componentes

PT

- 1 Corpo: Latão CW510L - Pb ≤ 0.1%
- 2 Vedações: NBR, EPDM, FKM
- 3 Tubo Guia: Latão
- 4 Núcleo fixo e móvel I: Aço-inox AISI 430FR
- 5 Mola: Aço-inox



Pressione massima ammissibile

*Maximum allowable pressure
Max. Betriebsdruck
Pression de service max.
Presión máxima admisible
Pressão máxima admissível*

40 bar



Tabella compatibilità e materiali

*Compatibility and materials table
Beständigkeitsübersicht
Tableau de compatibilité des matériaux
Tabla de compatibilidad de materiales
Tabela de compatibilidade química*

Pag. 0.21 - 0.22



Temperatura ambiente con bobine in classe H

*Room temperature with coil class H
Raumtemperatur, mit Spule der Klasse H
Température ambiante, avec bobine classe H
Temperatura ambiente con bobina classe H
Temperatura ambiente com bobina de classe H*

**- 10 °C
+ 80 °C**

OPZIONI SU RICHIESTA - OPTIONS ON REQUEST - OPTIONEN AUF ANFRAGE - OPTIONS SUR DEMANDE - OPCIONES BAJO PEDIDO - OPÇÕES SOB ENCOMENDA

*Tubo guida in Acciaio Inox - Stainless Steel armature tube - Führungsrohr aus Edelstahl
Tube de pilotage en Acier Inox - Tubo guíae en Acero Inox - Tubo Guia de Aço-Inox*

*Versione idonea per utilizzo con ossigeno industriale - Version suitable for use with industrial oxygen - Version für industrie sauerstoff
Version adaptée à une utilisation avec de l'oxygène industriel - Versión idónea para el uso con oxígeno industrial - Versão adequada para utilização com oxigênio industrial*

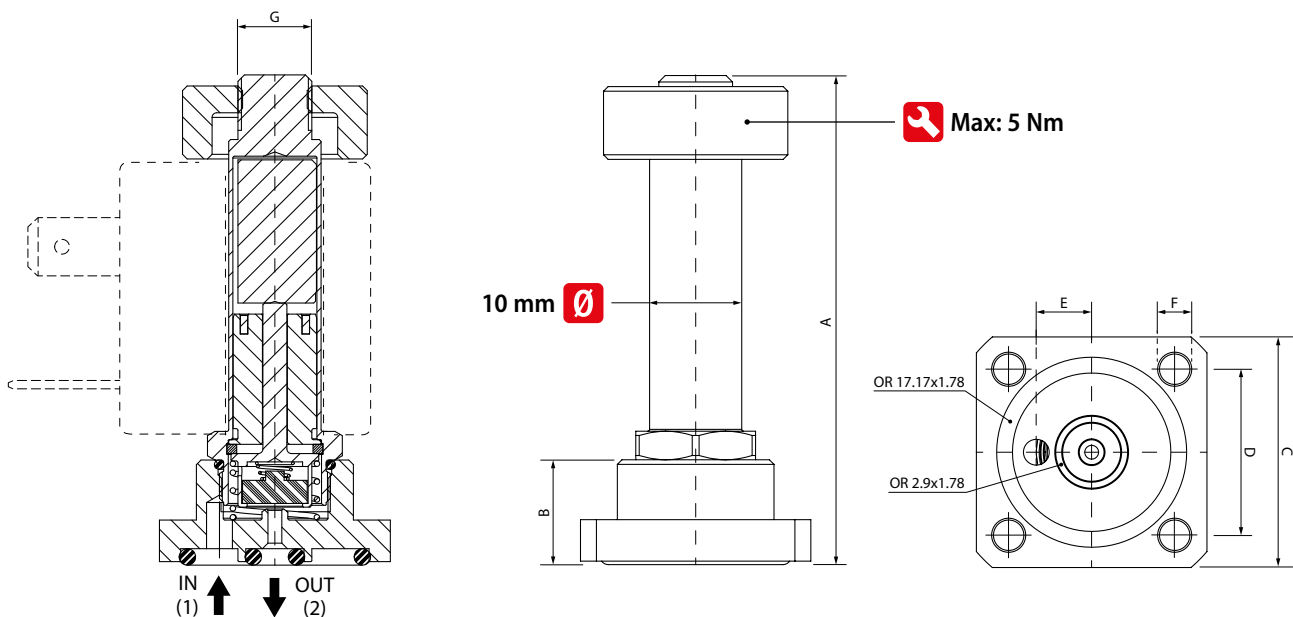
*Trattamento superficiale di nichelatura chimica componenti in ottone - Chemical nickel plating treatment for brass components - Chemische vernickelung Messingkomponenten
Traitement surface nickelage chimique composants laiton - Tratamiento superficial niquelatura química componentes latón - Tratamento superficial niquelação química componentes latão*

Code	Materiale tenute Sealing materials Dichtungswerkstoffe Matériau joint Material juntas Material das vedações	Connessioni Port size Verbindungen Connexions Conexiones Conexões	Ø Orifizio Ø Orifice Ø Dn Ø Passage Ø Orificio Ø Orificio	Viscosità Viscosity Viskosität Viscosité Viscosidad Viscosidade	Kv	Pressione differenziale (OPD) Differential pressure (OPD) Differenzdruck (OPD) Pression différentielle (OPD) Presión diferencial (OPD) Pressão diferencial (OPD)			Potenza Power Leistung Puissance Potencia Potência			Bobine Coils Spulen Bobines Bobinas Bobinas		
						Bar			DC W	AC VA	ATEX Ex m W	Size mm	Serie	
						Min	Max DC	Max AC					A - pag. 19.2 B - pag. 19.3 X - pag. 19.4	
F1F J4 2 15 _ 0	N = NBR -10°C +90°C	25x25 mm	1.5	25	0.06	0	-	18	-	7.5	-	22	A - SOL10	
18							18	-	11	-	30	B - SOL11		
18							18	5.3	30	X - SOLX4				
F1F J4 2 02 _ 0	V = FKM -10°C +140°C	25x25 mm	2	37	0.09	0	-	10	-	7.5	-	22	A - SOL10	
10							10	-	11	-	30	B - SOL11		
10							10	5.3	30	X - SOLX4				
F1F J4 2 25 _ 0	E = EPDM -10°C +140°C	25x25 mm	2.5	53	0.15	0	-	6.5	-	7.5	-	22	A - SOL10	
6.5							6.5	-	11	-	30	B - SOL11		
6.5							6.5	5.3	30	X - SOLX4				

① **Selezionare tenuta - Select seal material - Wählen Sie das Dichtungsmaterial aus - Sélectionner matériau d'étanchéité - Seleccionar material sellado - Seleccionar material de vedação**

EPDM - P max= 2.5 bar: Con vapore - With steam - Mit dampf - Avec vapeur - Con vapor - Com vapor

Bobina non inclusa - Coil not included - Magnetspulen separat - Bobines non incluse - Bobina no incluida - Bobinas não incluidas



Size	A	B	C	D	E	F	G
25x25 mm	57.7	11	25	18	6	3.3	M8 x 1

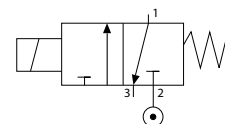
SERIE F1F

ELETTROVALVOLE AD AZIONAMENTO DIRETTO CON FISSAGGIO A FLANGIA E CORPO IN OTTONE CW510L

DIRECT ACTING SOLENOID VALVES WITH FLANGE FIXING AND BRASS CW510L BODY
 MAGNETVENTILE MIT DIREKTER BETÄTIGUNG FLANSCHBEFESTIGUNG UND MESSINGGEHÄUSE CW510L
 ELECTROVANNES A ACTIONNEMENT DIRECT AVEC FIXATION DE LA BRIDE ET CORPS EN LAITON CW510L
 ELECTROVÁLVULAS DE ACCIONAMIENTO DIRECTO CON FIJACIÓN DE BRIDA Y CUERPO DE LATÓN CW510L
 ELETRÓVALVULAS DE ACIONAMENTO DIRETO COM FIXAÇÃO DE FLANGE E CORPO DE LATÃO CW510L

3/2 NC

25 x 25 mm



**CW510L
Pb ≤ 0.1%**

Materiali e Componenti	IT	Materials and Components	GB	Materialien und Komponenten	DE
1 Corpo: Ottone CW510L - Pb ≤ 0.1% 2 Tenute: NBR - EPDM - FKM 3 Tubo guida: Acciaio Inox 4 Nucleo fisso e mobile: Acciaio Inox AISI 430FR 5 Molle: Acciaio Inox		1 Body: Brass CW510L - Pb ≤ 0.1% 2 Seals: NBR - EPDM - FKM 3 Armature tube: Stainless steel 4 Fixed and mobile core: Stainless steel AISI 430FR 5 Springs: Stainless steel		1 Körper: Messing CW510L - Pb ≤ 0.1% 2 Dichtung: NBR, EPDM, FKM 3 Führungsrohr: Edelstahl 4 Kern: Edelstahl AISI 430FR 5 Feder: Edelstahl	
Matériaux et Composants	FR	Materiales y componentes	ES	Materialis e Componentes	PT
1 Corps: Laiton CW510L - Pb ≤ 0.1% 2 Joints: NBR, EPDM, FKM 3 Tube de pilotage: Acier inox 4 Noyau: Acier inox AISI 430FR 5 Ressort: Acier inox		1 Cuerpo: Latón CW510L - Pb ≤ 0.1% 2 Juntas: NBR - EPDM - FKM 3 Tubo guía: Acero inox 4 Núcleo fijo y móvil: Acero inox AISI 430FR 5 Muelle: Acero inox		1 Corpo: Latão CW510L - Pb ≤ 0.1% 2 Vedações: NBR, EPDM, FKM 3 Tubo Guia: Aço-inox 4 Núcleo fixo e móvel I: Aço-inox AISI 430FR 5 Mola: Aço-inox	



Pressione massima ammissibile
 Maximum allowable pressure
 Max. Betriebsdruck
 Pression de service max.
 Presión máxima admisible
 Pressão máxima admissível

40 bar



Tabella compatibilità e materiali
 Compatibility and materials table
 Beständigkeitsübersicht
 Tableau de compatibilité des matériaux
 Tabla de compatibilidad de materiales
 Tabela de compatibilidade química

Pag. 0.21 - 0.22



Temperatura ambiente con bobine in classe H
 Room temperature with coil class H
 Raumtemperatur, mit Spule der Klasse H
 Température ambiante, avec bobine classe H
 Temperatura ambiente con bobina clase H
 Temperatura ambiente com bobina de classe H

**- 10 °C
+ 80 °C**

OPZIONI SU RICHIESTA - OPTIONS ON REQUEST - OPTIONEN AUF ANFRAGE - OPTIONS SUR DEMANDE - OPCIONES BAJO PEDIDO - OPÇÕES SOB ENCOMENDA

Versione idonea per utilizzo con ossigeno industriale - Version suitable for use with industrial oxygen - Version für industrie sauerstoff
 Version adaptée à une utilisation avec de l'oxygène industriel - Versión idónea para el uso con oxígeno industrial - Versão adequada para utilização com oxigênio industrial

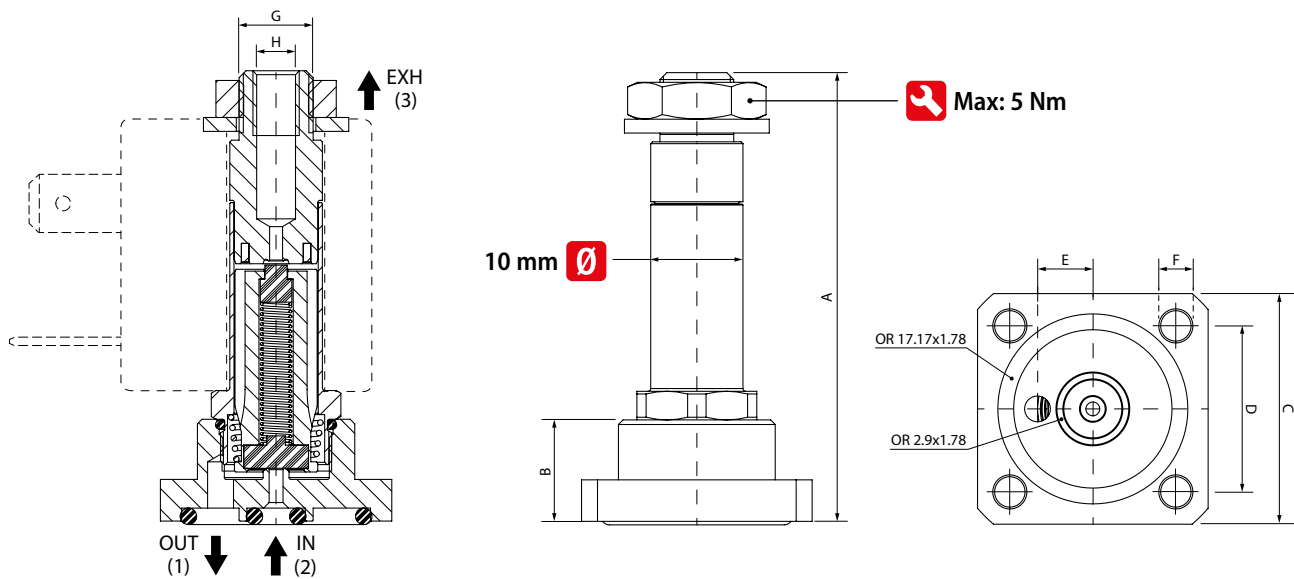
Trattamento superficiale di nichelatura chimica componenti in ottone - Chemical nickel plating treatment for brass components - Chemische vernickelung Messingkomponenten
 Traitement surface nickelage chimique composants laiton - Tratamiento superficial niquelatura química componentes latón - Tratamento superficial niquelação química componentes latão

Code	Materiale tenute Sealing materials Dichtungswerkstoffe Matériau joint Material juntas Material das vedações	Conessioni Port size Verbindungen Connexions Conexiones Conexões	Ø Orifizio Ø Orifice Ø Dn Ø Passage Ø Orificio Ø Orificio		Viscosità Viscosity Viskosität Viscosité Viscosidad Viscosidade	Kv	Pressione differenziale (OPD) Differential pressure (OPD) Differenzdruck (OPD) Pression différentielle (OPD) Presión diferencial (OPD) Pressão diferencial (OPD)			Potenza Power Leistung Puissance Potencia Potência			Bobine Coils Spulen Bobines Bobinas Bobinas			
			mm	mm			cSt	m³/h	Bar	Bar	Bar	DC	AC	ATEX Ex m	Size	Serie
①	①		IN	EXH		IN	EXH	Min	Max DC	Max AC	W	VA	W	mm	A - pag. 19.2 B - pag. 19.3 X - pag. 19.4	
F1F J4 3 15 _ 0	N = NBR -10°C +90°C	□ 25x25 mm	1.5	1.4	25	0.06	0.05	0	13.5	13.5	6.5	7.5	-	22	A - SOL10	
										13.5	13.5	8	11	-	30	B - SOL11
										13.5	13.5	-	-	5.3	30	X - SOLX4
F1F J4 3 02 _ 0	V = FKM -10°C +140°C		2	1.4	25	0.09	0.05	0	8	8	8	6.5	7.5	-	22	A - SOL10
										8	8	8	11	-	30	B - SOL11
										8	8	-	-	5.3	30	X - SOLX4
F1F J4 3 25 _ 0	E = EPDM -10°C +140°C	2.5	1.4	25	0.15	0.05	0	5	5	5	6.5	7.5	-	22	A - SOL10	
									5	5	8	11	-	30	B - SOL11	
									5	5	-	-	5.3	30	X - SOLX4	

① Selezionare tenuta - Select seal material - Wählen Sie das Dichtungsmaterial aus - Sélectionner matériau d'étanchéité - Seleccionar material sellado - Seleccionar material de vedação

EPDM - P max= 2.5 bar: Con vapore - With steam - Mit dampf - Avec vapeur - Con vapor - Com vapor

Bobina non inclusa - Coil not included - Magnetspulen separat - Bobines non incluse - Bobina no incluida - Bobinas não incluidas



Size	A	B	C	D	E	F	H	G
□ 25x25 mm	48.65	11	25	18	6	3.3	M5	M8 x 0.75

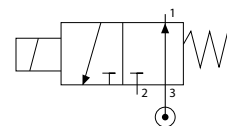
SERIE F1F

ELETTROVALVOLE AD AZIONAMENTO DIRETTO CON FISSAGGIO A FLANGIA E CORPO IN OTTONE CW510L

DIRECT ACTING SOLENOID VALVES WITH FLANGE FIXING AND BRASS CW510L BODY
 MAGNETVENTILE MIT DIREKTER BETÄTIGUNG FLANSCHBEFESTIGUNG UND MESSINGGEHÄUSE CW510L
 ELECTROVANNES A ACTIONNEMENT DIRECT AVEC FIXATION DE LA BRIDE ET CORPS EN LAITON CW510L
 ELECTROVÁLVULAS DE ACCIONAMIENTO DIRECTO CON FIJACIÓN DE BRIDA Y CUERPO DE LATÓN CW510L
 ELETRÓVÁLVULAS DE ACIONAMENTO DIRETO COM FIXAÇÃO DE FLANGE E CORPO DE LATÃO CW510L

3/2 NO

25 x 25 mm



**CW510L
Pb ≤ 0.1%**

Materiali e Componenti	IT	Materials and Components	GB	Materialien und Komponenten	DE
1 Corpo: Ottone CW510L - Pb ≤ 0.1% 2 Tenute: NBR - EPDM - FKM 3 Tubo guida: Acciaio Inox 4 Nucleo fisso e mobile: Acciaio Inox AISI 430FR 5 Molle: Acciaio Inox		1 Body: Brass CW510L - Pb ≤ 0.1% 2 Seals: NBR - EPDM - FKM 3 Armature tube: Stainless steel 4 Fixed and mobile core: Stainless steel AISI 430FR 5 Springs: Stainless steel		1 Körper: Messing CW510L - Pb ≤ 0.1% 2 Dichtung: NBR, EPDM, FKM 3 Führungsrohr: Edelstahl 4 Kern: Edelstahl AISI 430FR 5 Feder: Edelstahl	
Matériaux et Composants	FR	Materiales y componentes	ES	Materialis e Componentes	PT
1 Corps: Laiton CW510L - Pb ≤ 0.1% 2 Joints: NBR, EPDM, FKM 3 Tube de pilotage: Acier inox 4 Noyau: Acier inox AISI 430FR 5 Ressort: Acier inox		1 Cuerpo: Latón CW510L - Pb ≤ 0.1% 2 Juntas: NBR - EPDM - FKM 3 Tubo guía: Acero inox 4 Núcleo fijo y móvil: Acero inox AISI 430FR 5 Muelle: Acero inox		1 Corpo: Latão CW510L - Pb ≤ 0.1% 2 Vedações: NBR, EPDM, FKM 3 Tubo Guia: Aço-inox 4 Núcleo fixo e móvel I: Aço-inox AISI 430FR 5 Mola: Aço-inox	



Pressione massima ammissibile
 Maximum allowable pressure
 Max. Betriebsdruck
 Pression de service max.
 Presión máxima admisible
 Pressão máxima admissível

40 bar



Tabella compatibilità e materiali
 Compatibility and materials table
 Beständigkeitsübersicht
 Tableau de compatibilité des matériaux
 Tabla de compatibilidad de materiales
 Tabela de compatibilidade química

Pag. 0.21 - 0.22



Temperatura ambiente con bobine in classe H
 Room temperature with coil class H
 Raumtemperatur, mit Spule der Klasse H
 Température ambiante, avec bobine classe H
 Temperatura ambiente con bobina clase H
 Temperatura ambiente com bobina de classe H

**- 10 °C
+ 80 °C**

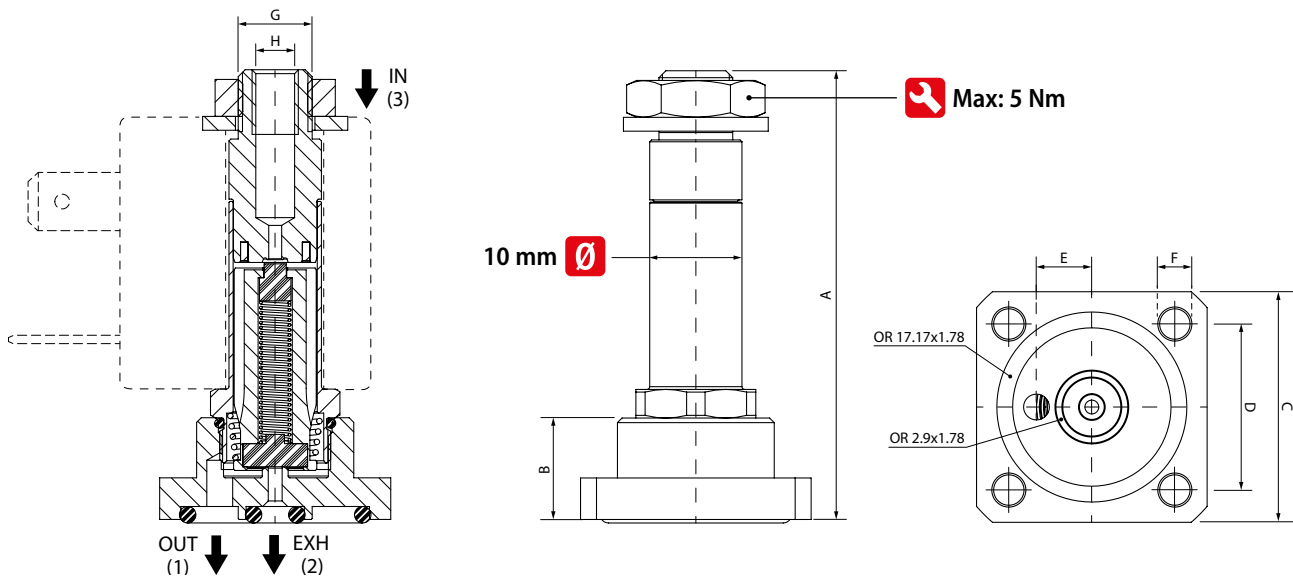
OPZIONI SU RICHIESTA - OPTIONS ON REQUEST - OPTIONEN AUF ANFRAGE - OPTIONS SUR DEMANDE - OPCIONES BAJO PEDIDO - OPÇÕES SOB ENCOMENDA
Versione idonea per utilizzo con ossigeno industriale - Version suitable for use with industrial oxygen - Version für industrie sauerstoff Version adaptée à une utilisation avec de l'oxygène industriel - Versión idónea para el uso con oxígeno industrial - Versão adequada para utilização com oxigênio industrial
Trattamento superficiale di nichelatura chimica componenti in ottone - Chemical nickel plating treatment for brass components - Chemische vernickelung Messingkomponenten Traitement surface nickelage chimique composants laiton - Tratamiento superficial niquelatura química componentes latón - Tratamento superficial niquelação química componentes latão

Code	Materiale tenute Sealing materials Dichtungswerkstoffe Matériau joint Material juntas Material das vedações	Conessioni Port size Verbindungen Connexions Conexiones Conexões	Ø Orifizio Ø Orifice Ø Dn Ø Passage Ø Orificio Ø Orificio		Viscosità Viscosity Viskosität Viscosité Viscosidad Viscosidade	Kv	Pressione differenziale (OPD) Differential pressure (OPD) Differenzdruck (OPD) Pression différentielle (OPD) Presión diferencial (OPD) Pressão diferencial (OPD)			Potenza Power Leistung Puissance Potencia Potência			Bobine Coils Spulen Bobines Bobinas Bobinas									
			mm	mm			cSt	m³/h	Bar	Bar	Bar	DC W	AC VA	ATEX Ex m W	Size mm	Serie A - pag. 19.2 B - pag. 19.3 X - pag. 19.4						
F1F J4 4 15 _ 0	N = NBR -10°C +90°C	□ 25x25 mm	1.4	1.5	25	0.05	0.06	0	10	10	-	22	A - SOL10									
F1F J4 4 02 _ 0	V = FKM -10°C +140°C								1.4	2				25	0.05	0.09	0	10	10	5.3	30	X - SOLX4
F1F J4 4 25 _ 0	E = EPDM -10°C +140°C																	1.4	2.5			
											10	10	-									
									4	10	-	30		X - SOLX4								
									4	10					-	30	B - SOL11					
									4	10			-					30	X - SOLX4			
									4	10	-	30		X - SOLX4								
									4	10					-	30	X - SOLX4					
								4	10	-			30					X - SOLX4				
								4	10		-	30		X - SOLX4								


① **Selezionare tenuta** - Select seal material - Wählen Sie das Dichtungsmaterial aus - Sélectionner matériau d'étanchéité - Seleccionar material sellado - Seleccionar material de vedação

EPDM - P max= 2.5 bar: Con vapore - With steam - Mit dampf - Avec vapeur - Con vapor - Com vapor

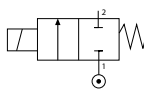
Bobina non inclusa - Coil not included - Magnetspulen separat - Bobines non incluse - Bobina no incluida - Bobinas não incluidas





Size	A	B	C	D	E	F	H	G
□ 25x25 mm	48.65	11	25	18	6	3.3	M5	M8 x 0.75



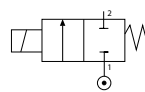
2/2 NC





1/4"
Pag. 4.4

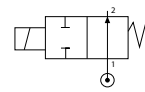
2/2 NC





3/8" - 1/2"
Pag. 4.6

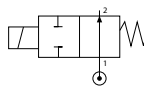
2/2 NO





1/4"
Pag. 4.8

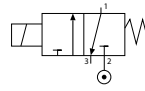
2/2 NO





3/8" - 1/2"
Pag. 4.10

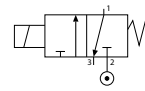
3/2 NC





1/4"
Pag. 4.12

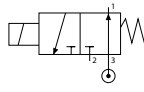
3/2 NC





3/8" - 1/2"
Pag. 4.14

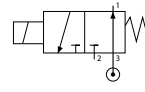
3/2 NO




1/4"
Pag. 4.16

3/2 NO



3/8" - 1/2"
Pag. 4.18



Serie 02F

Coils & Connectors



30 mm

Serie C
Pag. 19.5




30 mm

Serie D
Pag. 19.6




36 mm

Serie E
Pag. 19.7




Connectors
Pag. 19.9 / 19.10



ELETTROVALVOLE AD AZIONAMENTO DIRETTO CON CORPO IN OTTONE

DIRECT ACTING SOLENOID VALVES WITH BRASS BODY

MAGNETVENTILE MIT DIREKTER BETÄTIGUNG MIT MESSINGGEHÄUSE

ÉLECTROVANNES À COMMANDE DIRECTE AVEC CORPS EN LAITON

ELECTROVÁLVULAS DE ACCIONAMIENTO DIRECTO CON CUERPO DE LATÓN

ELETROVÁLVULAS DE ACIONAMENTO DIRETO COM CORPO DE LATÃO



II 2 G/D Ex h

C  US
CSA C22.2



Serie 02F

Le elettrovalvole serie 02F - azionamento diretto con corpo filettato in ottone - rispondono alle esigenze richieste di mercato combinando un'ampia selezione dei materiali di tenuta alla capacità di gestire pressioni elevate, coprendo così una vasta gamma di applicazioni.

La scelta di tre tipologie di bobine (serie C, D, E) aventi diverse taglie e potenze aumentano le prestazioni di queste valvole.

Principali vantaggi

- Connessioni 1/4", 3/8" e 1/2"
- Orifici dal Ø 1.0 mm al Ø 6.4 mm
- Pressioni di lavoro fino a 100 bar
- Ampia selezione dei materiali di tenuta
- Guarnizioni certificate FDA e conformi NSF51
- Possibilità di esecuzioni speciali con raccordi Aignep
- Grado di protezione IP67 con connettore e kit antiumidità

Applicazioni

- Acqua, Liquidi neutri, Oli
- Industria alimentare, Misting
- Autolavaggi, Sistemi di lavaggio, Idropultrici
- Aria, Gas inerti, Vuoto
- Processi industriali, Automazione, Refrigerazione
- Macchine utensili, Taglio laser, Compressori
- Ossigeno, Vapore, Medica, Sterilizzatori
- Industria Chimica e Petrochimica, Hi-Tech

Les électrovannes de la série 02F - à commande directe avec corps fileté en laiton - répondent aux demandes exigeantes du marché en combinant une large sélection de matériaux d'étanchéité avec la capacité de gérer des pressions élevées, couvrant une large gamme d'applications.

Le choix de trois types de bobines (séries C, D, E) de tailles et de puissances différentes augmente les performances de ces vannes.

Principaux avantages

- Connexions 1/4", 3/8" & 1/2"
- Orifices de Ø 1,0 mm à Ø 6,4 mm
- Pression jusqu'à 100 bar
- Large choix de matériaux d'étanchéité
- Joints certifiés FDA et conformes NSF51
- Possibilité d'exécutions spéciales avec ferrures Aignep
- Degré de protection IP67 avec connecteur et kit anti-humidité

Applications

- Eau, Liquides neutres, Huiles
- Agroalimentaire, Brumisation
- Lavage-auto, Systèmes de lavage, Nettoyeurs haute pression
- Air, Gaz inertes, Vide
- Process industriels, Automatisation, Froid
- Machines outils, Découpe laser, Compresseurs
- Oxygène, Vapeur, Médical, Stérilisateurs
- Industrie chimique et pétrochimique, Hi-Tech

The 02F series solenoid valves - direct acting with brass threaded body - meet the demanding market demands by combining a wide selection of sealing materials with the ability to handle high pressures, covering a wide range of applications.

The choice of three types of coils (series C, D, E) having different sizes and powers increase the performance of these valves.

Main advantages

- Connections 1/4", 3/8" & 1/2"
- Orifices from Ø 1.0 mm up to Ø 6.4 mm
- Working pressures up to 100 bar
- Wide selection of sealing materials
- FDA certified and NSF51 compliant seals
- Possibility of special executions with Aignep fittings
- IP67 protection degree with connector and anti-humidity kit

Applications

- Water, Neutral liquids, Oils
- Food industry, Misting
- Car washes, Washing systems, Pressure washers
- Air, Inert gases, Vacuum
- Industrial processes, Automation, Refrigeration
- Machine tools, Laser cutting, Compressors
- Oxygen, Steam, Medical, Sterilizers
- Chemical and Petrochemical industry, Hi-Tech

Las electroválvulas de la serie 02F, de accionamiento directo con cuerpo roscado de latón, satisfacen las exigentes demandas del mercado al combinar una amplia selección de materiales de sellado con la capacidad de manejar altas presiones, cubriendo una amplia gama de aplicaciones.

La elección de tres tipos de bobinas (series C, D, E) con diferentes tamaños y potencias aumentan el rendimiento de estas válvulas.

Principales ventajas

- Conexiones 1/4", 3/8" y 1/2"
- Orificios desde Ø 1,0 mm hasta Ø 6,4 mm
- Presiones de trabajo hasta 100 bar
- Amplia selección de materiales de sellado
- Juntas certificadas por FDA y compatibles con NSF51
- Posibilidad de ejecuciones especiales con racores Aignep
- Grado de protección IP67 con conector y kit antihumedad

Aplicaciones

- Agua, Líquidos neutros, Aceites
- Industria alimentaria, Nebulización
- Lavado de coches, Sistemas de lavado, Máquina de lavado a presión
- Aire, Gases inertes, Vacío
- Procesos Industriales, Automatización, Refrigeración
- Máquinas herramienta, Corte por láser, Compresores
- Oxígeno, Vapor, Médico, Esterilizadores
- Industria química y petroquímica, Hi-Tech

Die Serie 02F sind direktwirkende Magnetventile und bestehen aus einem Messingkörper mit Anschlussgewinden. Die Ventile erfüllen die anspruchsvollen Marktanforderungen durch die Kombination einer großen Auswahl an Dichtungsmaterialien und sind auch für hohe Betriebsdrücke geeignet. Mit diesen Eigenschaften decken Sie einen weiten Anwendungsbereich ab.

Die Auswahl von drei Spulentypen (Serie C, D, E) mit unterschiedlichen Größen erhöhen die Leistung dieser Ventile.

Vorteile

- Anschlüsse 1/4", 3/8" & 1/2"
- Öffnungen von Ø 1,0 mm bis zu Ø 6,4 mm
- Betriebsdruck bis zu 100 bar
- Große Auswahl an Dichtungsmaterialien
- FDA-zertifizierte und NSF51-konforme Dichtungen
- Möglichkeit von Sonderausführungen mit Aignep-Fittings
- IP67 Schutz mit Anschlussstück und Feuchtigkeitsschutz-Kit

Anwendungen

- Wasser, neutrale Flüssigkeiten, Öle
- Lebensmittelindustrie, Vernebelung
- Autowaschanlagen, Waschanlagen, Hochdruckreiniger
- Luft, inerte Gase, Vakuum
- Industrielle Prozesse, Automatisierung, Kältetechnik
- Werkzeugmaschinen, Laserschneiden, Kompressoren

As válvulas solenoides da série 02F - de ação direta com corpo roscado em latão - atendem às mais exigentes demandas do mercado, combinando uma ampla gama de materiais de vedação com a capacidade de lidar com altas pressões, abrangendo uma grande variedade de aplicações.

A escolha de três tipos de bobinas (séries C, D, E) com diferentes tamanhos e potências, aumentam muito o desempenho dessas válvulas.

Principais vantagens

- Conexões 1/4", 3/8" e 1/2"
- Orifícios de Ø 1,0 mm até Ø 6,4 mm
- Pressões de trabalho até 100 bar
- Ampla gama de materiais de vedação
- Selos certificados pela FDA e compatíveis com NSF51
- Possibilidade de montagens especiais com acessórios Aignep
- Grau de proteção IP67 com conector e kit anti-umidade

Aplicações

- Água, líquidos neutros, óleos
- Indústria alimentícia, nebulização
- Lavagem de carros, sistemas de limpeza e lavagem em geral, lavadoras de alta pressão
- Ar, gases inertes, vácuo
- Processos Industriais, Automação, Refrigeração
- Máquinas-ferramentas, corte a laser, compressores
- Oxigênio, Vapor, Médico, Esterilizadores
- Indústria Química e Petroquímica, Hi-Tech



<p>Caratteristiche generali - 02F</p> <ul style="list-style-type: none"> - Posizione di montaggio universale - Kit operatore Ø 13 mm - Certificazione valvole: ATEX II 2G/D Ex h - Bobine: classe H - - CSA C22.2 	<p>General features - 02F</p> <ul style="list-style-type: none"> - Universal mounting position - Operator kit Ø 13 mm - ATEX II 2G/D Ex h certification - Coils: Class H - - CSA C22.2 	<p>Eigenschaften - 02F</p> <ul style="list-style-type: none"> - Einbaulage universal - Bausatz Ø 13 mm - ATEX II 2G/D Ex h zulassung - Spulenkategorie H - - CSA C22.2
<p>Caractéristiques générales - 02F</p> <ul style="list-style-type: none"> - Position de montage universelle - Kit Pilote Ø 13 mm - Certification ATEX II 2G/D Ex h - Bobine: classe H - - CSA C22.2 	<p>Características generales - 02F</p> <ul style="list-style-type: none"> - Posición de montaje universal - Kit operador Ø 13 mm - Certificación ATEX II 2G/D Ex h - Bobinas: clase H - - CSA C22.2 	<p>Características gerais - 02F</p> <ul style="list-style-type: none"> - Posição de montagem universal - Kit do operador Ø 13 mm - Certificação ATEX II 2G/D Ex h - Bobinas: classe H - - CSA C22.2

Tabella dei codici di ordinazione

Ordering codes

Bestellschlüssel

Composition de la référence de commande

Tabla para definición de código

Tabela de código de compra

SERIE	Connessione Port size Masse Dimension Tamaño Tamanho	Funzione Functions Funktion Fonctions Función Funções	Orificio Orifice Dn Passage Orificio Orifício	Materiale guarnizioni Sealing materials Dichtungswerkstoffe Matériaux des joints Material juntas Material das vedações	Versione Version Ausführung Version Versión Versão	Filettatura Thread Gewinde Filetage Rosca Rosca
-------	---	--	--	---	---	--

0	2	F	0	3	1	0	1	N	0	
	03 = 1/4"	1 = 2/2 NC	Normalmente chiusa Normally closed Normalerweise geschlossen Normalement fermée Normalmente cerrada Normalmente fechada	01 = 1.0 mm	N = NBR	0 = Standard				= Gas
	04 = 3/8"			15 = 1.5 mm	F = NBR	1 = Comando manuale (su richiesta) Manual override (on request) Handbetätigung (auf Anfrage) Commande manuelle (sur demande) Comando manual (a petición) Accionamento manual (a pedido)				N = NPTF
	05 = 1/2"	2 = 2/2 NO	Normalmente aperta Normally open Normalerweise offen Normalement ouvert Normalmente abierta Normalmente aberta	25 = 2.5 mm	E = EPDM					
				03 = 3 mm	V = FKM					
		3 = 3/2 NC	Normalmente chiusa Normally closed Normalerweise geschlossen Normalement fermée Normalmente cerrada Normalmente fechada	04 = 4 mm	P = PTFE	3 = Sede in Acciaio Inox (su richiesta) Stainless Steel seat (on request) Sitz aus Edstahl (auf Anfrage) Siège en Acier Inoxydable (sur demande) Asiento en Acero Inoxidable (a petición) Sede in Acciaio Inox (a pedido)				
		4 = 3/2 NO	Normalmente aperta Normally open Normalerweise offen Normalement ouvert Normalmente abierta Normalmente aberta	05 = 5 mm	R = RUBY					
				64 = 6.4 mm						

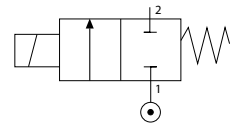
BOBINE: SERIE C, D, E COILS: SERIES C, D, E SPULEN: SERIES C, D, E BOBINES: SÉRIES C, D, E BOBINAS: SERIES C, D, E BOBINAS: SÉRIES C, D, E	PAG: 19.5 / 19.6 / 19.7 PAG: 19.5 / 19.6 / 19.7 PAG: 19.5 / 19.6 / 19.7 PAG: 19.5 / 19.6 / 19.7 PAG: 19.5 / 19.6 / 19.7 PAG: 19.5 / 19.6 / 19.7	CONNETTORI CONNECTORS STECKER CONNECTEURS CONECTORES CONECTORES	PAG: 19.10 PAG: 19.10 PAG: 19.10 PAG: 19.10 PAG: 19.10 PAG: 19.10
--	---	---	---

SERIE 02F

ELETTROVALVOLE AD AZIONAMENTO DIRETTO CON CORPO IN OTTONE

DIRECT ACTUATED SOLENOID VALVES WITH BRASS BODY
 MAGNETVENTILE MIT DIREKTER BETÄTIGUNG MIT MESSINGGEHÄUSE
 ÉLECTROVANNES À COMMANDE DIRECTE AVEC CORPS EN LAITON
 ELECTROVÁLVULAS DE ACCIONAMIENTO DIRECTO CON CUERPO DE LATÓN
 ELETRÓVALVULAS DE ACIONAMENTO DIRETO COM CORPO DE LATÃO

2/2 NC **1/4"**



Materiali e Componenti	IT	Materials and Components	GB	Materialien und Komponenten	DE
1 Corpo: Ottone CW617N 2 Tenute: NBR - NBR - EPDM - FKM - PTFE - RUBY 3 Tubo guida: Acciaio Inox 4 Nucleo fisso e mobile: Acciaio Inox AISI 430FR 5 Molle: Acciaio Inox		1 Body: Brass CW617N 2 Seals: NBR - NBR - EPDM - FKM - PTFE - RUBY 3 Armature tube: Stainless steel 4 Fixed and mobile core: Stainless steel AISI 430FR 5 Springs: Stainless steel		1 Körper: Messing CW617N 2 Dichtung: NBR - NBR - EPDM - FKM - PTFE - RUBY 3 Führungsrohr: Edelstahl 4 Kern: Edelstahl AISI 430FR 5 Feder: Edelstahl	
Matériaux et Composants	FR	Materiales y componentes	ES	Materialis e Componentes	PT
1 Corps: Laiton CW617N 2 Joints: NBR - NBR - EPDM - FKM - PTFE - RUBY 3 Tube de pilotage: Acier inox 4 Noyau: Acier inox AISI 430FR 5 Ressort: Acier inox		1 Cuerpo: Latón CW617N 2 Juntas: NBR - NBR - EPDM - FKM - PTFE - RUBY 3 Tubo guía: Acero inox 4 Núcleo fijo y móvil: Acero inox AISI 430FR 5 Muelle: Acero inox		1 Corpo: Latão CW617N 2 Vedações: NBR - NBR - EPDM - FKM - PTFE - RUBY 3 Tubo Guia: Aço-inox 4 Núcleo fixo e móvel I: Aço-inox AISI 430FR 5 Mola: Aço-inox	



Pressione massima ammissibile
 Maximum allowable pressure
 Max. Betriebsdruck
 Pression de service max.
 Presión máxima admisible
 Pressão máxima admissível

100 bar



Tabella compatibilità e materiali
 Compatibility and materials table
 Beständigkeitsübersicht
 Tableau de compatibilité des matériaux
 Tabla de compatibilidad de materiales
 Tabela de compatibilidade química

Pag. 0.21 - 0.22



Temperatura ambiente con bobine in classe H
 Room temperature with coil class H
 Raumtemperatur, mit Spule der Klasse H
 Température ambiante, avec bobine classe H
 Temperatura ambiente con bobina classe H
 Temperatura ambiente com bobina de classe H

**- 10 °C
 + 80 °C**

OPZIONI SU RICHIESTA - OPTIONS ON REQUEST - OPTIONEN AUF ANFRAGE - OPTIONS SUR DEMANDE - OPCIONES BAJO PEDIDO - OPÇÕES SOB ENCOMENDA
Comando manuale - Manual override - Handbetätigung Commande manuelle - Comando manual - Acionamento manual
Sede in Acciaio Inox - Stainless Steel seat - Sitz aus Edelstahl Siège en Acier Inoxydable - Asiento en Acero Inoxidable - Sede in Acciaio Inox
Versione idonea per utilizzo con ossigeno industriale - Version suitable for use with industrial oxygen - Version für industrie sauerstoff Version adaptée à une utilisation avec de l'oxygène industriel - Versión idónea para el uso con oxígeno industrial - Versão adequada para utilização com oxigênio industrial
Trattamento superficiale di nichelatura chimica componenti in ottone - Chemical nickel plating treatment for brass components - Chemische vernickelung Messingkomponenten Traitement surface nickelage chimique composants laiton - Tratamiento superficial niquelatura química componentes latón - Tratamento superficial niquelação química componentes latão

Code	Materiale tenute Sealing materials Dichtungswerkstoffe Matériau joint Material juntas Material das vedações	Conessioni Port size Verbindungen Connexions Conexiones Conexões	Ø Orifizio Ø Orifice Ø Dn Ø Passage Ø Orificio Ø Orifício	Viscosità Viscosity Viskosität Viscosité Viscosidad Viscosidade	Kv	Pressione differenziale (OPD) Differential pressure (OPD) Differenzdruck (OPD) Pression différentielle (OPD) Presión diferencial (OPD) Pressão diferencial (OPD)			Potenza Power Leistung Puissance Potencia		Bobine Coils Spulen Bobines Bobinas Bobinas	
						Min	Max DC	Max AC	DC W	AC VA	Size mm	Serie C - pag. 19.5 D - pag. 19.6 E - pag. 19.7
		ISO 228	mm	cSt	m³/h	Bar						
①	①											
02F 03 1 01 _ 0			1	25	0.04	0	100	100	8	14	30	C - SOL20
							100	100	14	21	30	D - SOL20
							100	100	22	31	36	E - SOL21
02F 03 1 15 _ 0	N = NBR -10°C +90°C		1.5	25	0.06	0	50	50	8	14	30	C - SOL20
							50	50	14	21	30	D - SOL20
							50	50	22	31	36	E - SOL21
02F 03 1 02 _ 0	F = NBR -40°C +90°C		2	37	0.10	0	35	50	8	14	30	C - SOL20
							50	50	14	21	30	D - SOL20
							50	50	22	31	36	E - SOL21
02F 03 1 25 _ 0	V = FKM -10°C +140°C		2.5	53	0.15	0	21	35	8	14	30	C - SOL20
							30	40	14	21	30	D - SOL20
							45	50	22	31	36	E - SOL21
02F 03 1 03 _ 0	E = EPDM -10°C +140°C	1/4"	3	53	0.21	0	10	21	8	14	30	C - SOL20
							16	30	14	21	30	D - SOL20
							40	40	22	31	36	E - SOL21
02F 03 1 04 _ 0	P = PTFE -40°C +180°C		4	53	0.35	0	3	10	8	14	30	C - SOL20
							6	14	14	21	30	D - SOL20
							15	20	22	31	36	E - SOL21
02F 03 1 05 _ 0	R = RUBY * -40°C +180°C		5	53	0.51	0	1.4	5	8	14	30	C - SOL20
							2.2	7	14	21	30	D - SOL20
							5.5	10	22	31	36	E - SOL21
02F 03 1 64 _ 0			6.4	53	0.65	0	-	2.5	-	14	30	C - SOL20
							1.5	3.5	14	21	30	D - SOL20
							4.5	5	22	31	36	E - SOL21

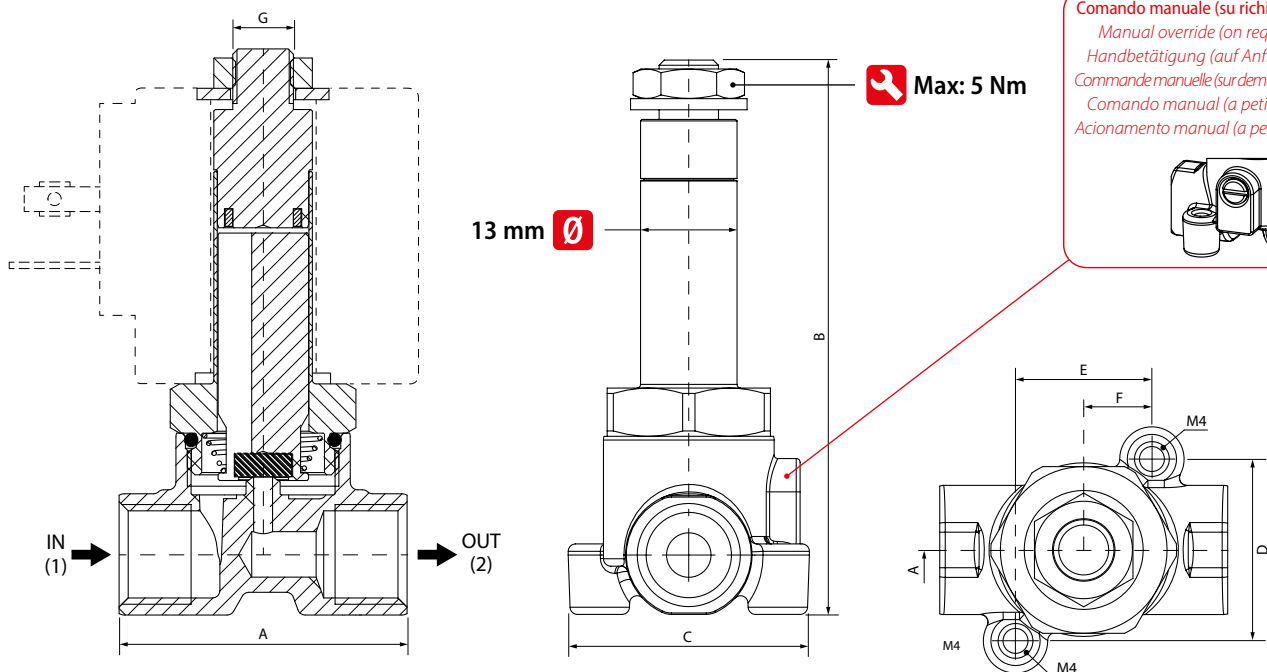
① Selezionare tenuta - Select seal material - Wählen Sie das Dichtungsmaterial aus - Sélectionner matériau d'étanchéité - Seleccionar material sellado - Seleccionar material de vedação

EPDM - P max = 2.5 bar / PTFE & RUBY - P max = 10 bar: Con vapore - With steam - Mit dampf - Avec vapeur - Con vapor - Com vapor

PTFE & RUBY = max 300 cm³/h: Perdita ammessa - Allowable leakage - Zulässige leakage - Fuite admissible - Fuga permitida - Vazamento permitido

* RUBY - max Ø 2.5 mm: Solo sede Inox - Only with stainless steel seat - Nur mit edelstahlsitz - Avec siège inox - Solo con asiento inox - Apenas com assento em aço

Bobina non inclusa - Coil not included - Magnetspuln separat - Bobines non incluse - Bobina no incluida - Bobinas não incluídas



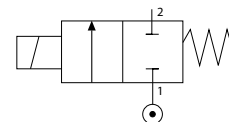
Size	A	B	C	D	E	F	G
1/4"	38	74.7	32.5	24	18	9	M8 x 1

SERIE 02F

ELETTROVALVOLE AD AZIONAMENTO DIRETTO CON CORPO IN OTTONE

DIRECT ACTUATED SOLENOID VALVES WITH BRASS BODY
 MAGNETVENTILE MIT DIREKTER BETÄTIGUNG MIT MESSINGGEHÄUSE
 ÉLECTROVANNES À COMMANDE DIRECTE AVEC CORPS EN LAITON
 ELECTROVÁLVULAS DE ACCIONAMIENTO DIRECTO CON CUERPO DE LATÓN
 ELETRÓVALVULAS DE ACIONAMENTO DIRETO COM CORPO DE LATÃO

2/2 NC **3/8" - 1/2"**



Materiali e Componenti	IT	Materials and Components	GB	Materialien und Komponenten	DE
1 Corpo: Ottone CW614N		1 Body: Brass CW614N		1 Körper: Messing CW614N	
2 Tenute: NBR - NBR - EPDM - FKM - PTFE		2 Seals: NBR - NBR - EPDM - FKM - PTFE		2 Dichtung: NBR - NBR - EPDM - FKM - PTFE	
3 Tubo guida: Acciaio Inox		3 Armature tube: Stainless steel		3 Führungsrohr: Edelstahl	
4 Nucleo fisso e mobile: Acciaio Inox AISI 430FR		4 Fixed and mobile core: Stainless steel AISI 430FR		4 Kern: Edelstahl AISI 430FR	
5 Molle: Acciaio Inox		5 Springs: Stainless steel		5 Feder: Edelstahl	
Matériaux et Composants	FR	Materiales y componentes	ES	Materialis e Componentes	PT
1 Corps: Laiton CW614N		1 Cuerpo: Latón CW614N		1 Corpo: Latão CW614N	
2 Joints: NBR - NBR - EPDM - FKM - PTFE		2 Juntas: NBR - NBR - EPDM - FKM - PTFE		2 Vedações: NBR - NBR - EPDM - FKM - PTFE	
3 Tube de pilotage: Acier inox		3 Tubo guía: Acero inox		3 Tubo Guia: Aço-inox	
4 Noyau: Acier inox AISI 430FR		4 Núcleo fijo y móvil: Acero inox AISI 430FR		4 Núcleo fixo e móvel I: Aço-inox AISI 430FR	
5 Ressort: Acier inox		5 Muelle: Acero inox		5 Mola: Aço-inox	



Pressione massima ammissibile
 Maximum allowable pressure
 Max. Betriebsdruck
 Pression de service max.
 Presión máxima admisible
 Pressão máxima admissível

50 bar



Tabella compatibilità e materiali
 Compatibility and materials table
 Beständigkeitsübersicht
 Tableau de compatibilité des matériaux
 Tabla de compatibilidad de materiales
 Tabela de compatibilidade química

Pag. 0.21 - 0.22



Temperatura ambiente con bobine in classe H
 Room temperature with coil class H
 Raumtemperatur, mit Spule der Klasse H
 Température ambiante, avec bobine classe H
 Temperatura ambiente con bobina classe H
 Temperatura ambiente com bobina de classe H

**- 10 °C
 + 80 °C**

OPZIONI SU RICHIESTA - OPTIONS ON REQUEST - OPTIONEN AUF ANFRAGE - OPTIONS SUR DEMANDE - OPCIONES BAJO PEDIDO - OPÇÕES SOB ENCOMENDA

Versione idonea per utilizzo con ossigeno industriale - Version suitable for use with industrial oxygen - Version für industrie sauerstoff
 Version adaptée à une utilisation avec de l'oxygène industriel - Versión idónea para el uso con oxígeno industrial - Versão adequada para utilização com oxigênio industrial

Trattamento superficiale di nichelatura chimica componenti in ottone - Chemical nickel plating treatment for brass components - Chemische vernickelung Messingkomponenten
 Traitement surface nickelage chimique composants laiton - Tratamiento superficial niquelatura química componentes latón - Tratamento superficial niquelação química componentes latão

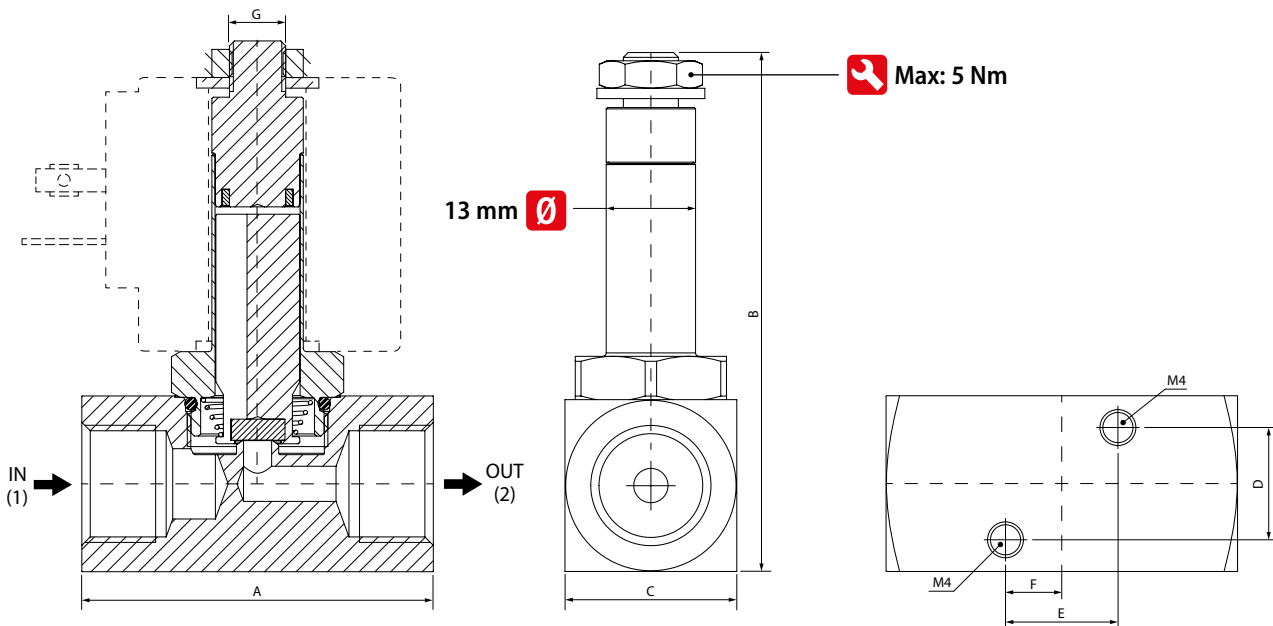
Code	Materiale tenute Sealing materials Dichtungswerkstoffe Matériau joint Material juntas Material das vedações	Conessioni Port size Verbindungen Connexions Conexiones Conexões	Ø Orifizio Ø Orifice Ø Dn Ø Passage Ø Orificio Ø Orificio	Viscosità Viscosity Viskosität Viscosité Viscosidad Viscosidade	Kv	Pressione differenziale (OPD) Differential pressure (OPD) Differenzdruck (OPD) Pression différentielle (OPD) Presión diferencial (OPD) Pressão diferencial (OPD)			Potenza Power Leistung Puissance Potencia		Bobine Coils Spulen Bobines Bobinas Bobinas				
						Min	Max DC	Max AC	DC W	AC VA	Size mm	Serie C - pag. 19.5 D - pag. 19.6 E - pag. 19.7			
		ISO 228	mm	cSt	m ³ /h	Bar									
02F 04 1 03 _ 0	N = NBR -10°C +90°C F = NBR ❄️ -40°C +90°C V = FKM -10°C +140°C E = EPDM -10°C +140°C P = PTFE -40°C +180°C	3/8"	3	53	0.21	0	10	21	8	14	30	C - SOL20			
16							30	14					21	30	D - SOL20
40							40								
3			10	8	14	30	C - SOL20								
6			14					14	21	30	D - SOL20				
15			20									22	31	36	E - SOL21
1.4		5	8	14	30	C - SOL20									
2.2		7					14	21	30	D - SOL20					
5.5		10									22	31	36	E - SOL21	
-		2.5	-	14	30	C - SOL20									
1.5		3.5					14	21	30	D - SOL20					
4.5		5									22	31	36	E - SOL21	
10	21	8	14	30	C - SOL20										
16	30					14	21	30	D - SOL20						
40	40									22	31	36	E - SOL21		
3	10	8	14	30	C - SOL20										
6	14					14	21	30	D - SOL20						
15	20									22	31	36	E - SOL21		
1.4	5	8	14	30	C - SOL20										
2.2	7					14	21	30	D - SOL20						
5.5	10									22	31	36	E - SOL21		
-	2.5	-	14	30	C - SOL20										
1.5	3.5					14	21	30	D - SOL20						
4.5	5									22	31	36	E - SOL21		

① Selezionare tenuta - Select seal material - Wählen Sie das Dichtungsmaterial aus - Sélectionner matériau d'étanchéité - Seleccionar material sellado - Seleccionar material de vedação

EPDM - P max = 2.5 bar / PTFE - P max = 10 bar: Con vapore - With steam - Mit dampf - Avec vapeur - Con vapor - Com vapor

PTFE = max 300 cm³/h: Perdita ammessa - Allowable leakage - Zulässige leakage - Fuite admissible - Fuga permitida - Vazamento permitido

Bobina non inclusa - Coil not included - Magnetspulen separat - Bobines non incluse - Bobina no incluida - Bobinas não incluídas



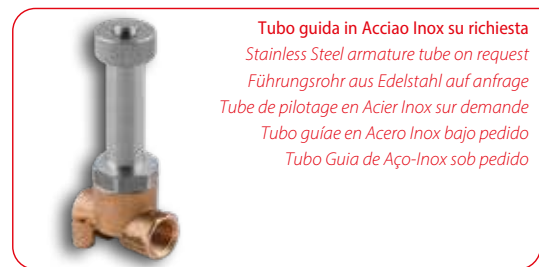
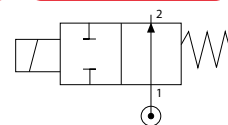
Size	A	B	C	D	E	F	G
3/8"	50	75.5	25	16	16	8	M8 x 1
1/2"	58	75.5	25	16	16	8	M8 x 1

SERIE 02F

ELETTROVALVOLE AD AZIONAMENTO DIRETTO CON CORPO IN OTTONE

DIRECT ACTUATED SOLENOID VALVES WITH BRASS BODY
 MAGNETVENTILE MIT DIREKTER BETÄTIGUNG MIT MESSINGGEHÄUSE
 ÉLECTROVANNES À COMMANDE DIRECTE AVEC CORPS EN LAITON
 ELECTROVÁLVULAS DE ACCIONAMIENTO DIRECTO CON CUERPO DE LATÓN
 ELETRÓVALVULAS DE ACIONAMENTO DIRETO COM CORPO DE LATÃO

2/2 NO **1/4"**



Tubo guida in Acciaio Inox su richiesta
 Stainless Steel armature tube on request
 Führungsrohr aus Edelstahl auf anfrage
 Tube de pilotage en Acier Inox sur demande
 Tubo guía en Acero Inox bajo pedido
 Tubo Guia de Aço-Inox sob pedido

Materiali e Componenti	IT	Materials and Components	GB	Materialien und Komponenten	DE
1 Corpo: Ottone CW617N 2 Tenute: NBR - EPDM - FKM 3 Tubo guida: Ottone 4 Nucleo fisso e mobile: Acciaio Inox AISI 430FR 5 Molle: Acciaio Inox		1 Body: Brass CW617N 2 Seals: NBR - EPDM - FKM 3 Armature tube: Brass 4 Fixed and mobile core: Stainless steel AISI 430FR 5 Springs: Stainless steel		1 Körper: Messing CW617N 2 Dichtung: NBR - EPDM - FKM 3 Führungsrohr: Messing 4 Kern: Edelstahl AISI 430FR 5 Feder: Edelstahl	
Matériaux et Composants	FR	Materiales y componentes	ES	Materialis e Componentes	PT
1 Corps: Laiton CW617N 2 Joints: NBR - EPDM - FKM 3 Tube de pilotage: Laiton 4 Noyau: Acier inox AISI 430FR 5 Ressort: Acier inox		1 Cuerpo: Latón CW617N 2 Juntas: NBR - EPDM - FKM 3 Tubo guía: Latón 4 Núcleo fijo y móvil: Acero inox AISI 430FR 5 Muelle: Acero inox		1 Corpo: Latão CW617N 2 Vedações: NBR - EPDM - FKM 3 Tubo Guia: Latão 4 Núcleo fixo e móvel I: Aço-inox AISI 430FR 5 Mola: Aço-inox	



Pressione massima ammissibile
 Maximum allowable pressure
 Max. Betriebsdruck
 Pression de service max.
 Presión máxima admisible
 Pressão máxima admissível

50 bar



Tabella compatibilità e materiali
 Compatibility and materials table
 Beständigkeitsübersicht
 Tableau de compatibilité des matériaux
 Tabla de compatibilidad de materiales
 Tabela de compatibilidade química

Pag. 0.21 - 0.22



Temperatura ambiente con bobine in classe H
 Room temperature with coil class H
 Raumtemperatur, mit Spule der Klasse H
 Température ambiante, avec bobine classe H
 Temperatura ambiente con bobina classe H
 Temperatura ambiente com bobina de classe H

**- 10 °C
 + 80 °C**

OPZIONI SU RICHIESTA - OPTIONS ON REQUEST - OPTIONEN AUF ANFRAGE - OPTIONS SUR DEMANDE - OPCIONES BAJO PEDIDO - OPÇÕES SOB ENCOMENDA

Tubo guida in Acciaio Inox - Stainless Steel armature tube - Führungsrohr aus Edelstahl
 Tube de pilotage en Acier Inox - Tubo guía en Acero Inox - Tubo Guia de Aço-Inox

Versione idonea per utilizzo con ossigeno industriale - Version suitable for use with industrial oxygen - Version für industrie sauerstoff
 Version adaptée à une utilisation avec de l'oxygène industriel - Versión idónea para el uso con oxígeno industrial - Versão adequada para utilização com oxigênio industrial

Trattamento superficiale di nichelatura chimica componenti in ottone - Chemical nickel plating treatment for brass components - Chemische vernickelung Messingkomponenten
 Traitement surface nickelage chimique composants laiton - Tratamiento superficial niquelatura química componentes latón - Tratamento superficial niquelação química componentes latão

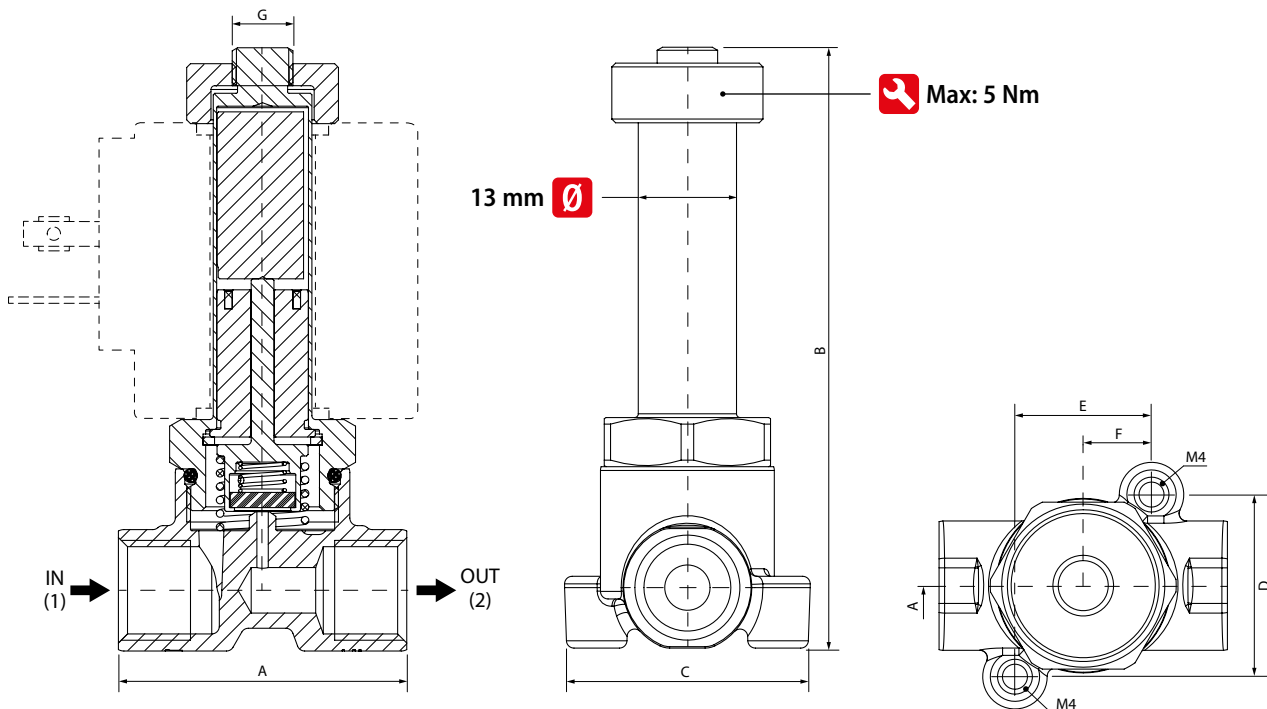
Code	Materiale tenuta Sealing materials Dichtungswerkstoffe Matériau joint Material juntas Material das vedações	Conessioni Port size Verbindungen Connexions Conexiones Conexões	Ø Orifizio Ø Orifice Ø Dn Ø Passage Ø Orificio Ø Orificio	Viscosità Viscosity Viskosität Viscosité Viscosidad Viscosidade	Kv	Pressione differenziale (OPD) Differential pressure (OPD) Differenzdruck (OPD) Pression différentielle (OPD) Presión diferencial (OPD) Pressão diferencial (OPD)		
						Min	Max DC	Max AC
		ISO 228	mm	cSt	m ³ /h	Bar		
02F 03 2 15 _ 0	N = NBR -10°C +90°C V = FKM -10°C +140°C E = EPDM -10°C +140°C	1/4"	1.5	25	0.06	0	-	25
02F 03 2 02 _ 0							25	25
							25	25
02F 03 2 25 _ 0			-	18				
			18	18				
02F 03 2 03 _ 0			-	12				
	12	12						
02F 03 2 04 _ 0	-	7.5						
	7.5	7.5						
02F 03 2 05 _ 0	-	4.5						
	4.5	4.5						
			3	53	0.21	0	7.5	7.5
			4	53	0.35	0	7.5	7.5
			5	53	0.51	0	-	4.5
							4.5	4.5
							-	2.5
							2.5	2.5
							2.5	2.5

Potenza Power Leistung Puissance Potencia		Bobine Coils Spulen Bobines Bobinas	
DC	AC	Size	Serie
W	VA	mm	C - pag. 19.5 D - pag. 19.6 E - pag. 19.7
-	14	30	C - SOL20
14	21	30	D - SOL20
22	31	36	E - SOL21
-	14	30	C - SOL20
14	21	30	D - SOL20
22	31	36	E - SOL21
-	14	30	C - SOL20
14	21	30	D - SOL20
22	31	36	E - SOL21
-	14	30	C - SOL20
14	21	30	D - SOL20
22	31	36	E - SOL21
-	14	30	C - SOL20
14	21	30	D - SOL20
22	31	36	E - SOL21

① Selezionare tenuta - Select seal material - Wählen Sie das Dichtungsmaterial aus - Sélectionner matériau d'étanchéité - Seleccionar material sellado - Seleccionar material de vedação

EPDM - P max= 2.5 bar: Con vapore - With steam - Mit dampf - Avec vapeur - Con vapor - Com vapor

Bobina non inclusa - Coil not included - Magnetspulen separat - Bobines non incluse - Bobina no incluida - Bobinas não incluidas



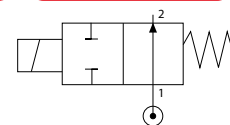
Size	A	B	C	D	E	F	G
1/4"	38	79.5	32.5	24	18	9	M8 x 1

SERIE 02F

ELETTRIVALVOLE AD AZIONAMENTO DIRETTO CON CORPO IN OTTONE

DIRECT ACTUATED SOLENOID VALVES WITH BRASS BODY
 MAGNETVENTILE MIT DIREKTER BETÄTIGUNG MIT MESSINGGEHÄUSE
 ÉLECTROVANNES À COMMANDE DIRECTE AVEC CORPS EN LAITON
 ELECTROVÁLVULAS DE ACCIONAMIENTO DIRECTO CON CUERPO DE LATÓN
 ELETROVÁLVULAS DE ACIONAMENTO DIRETO COM CORPO DE LATÃO

2/2 NO **3/8" - 1/2"**



Tubo guida in Acciao Inox su richiesta
 Stainless Steel armature tube on request
 Führungsrohr aus Edelstahl auf anfrage
 Tube de pilotage en Acier Inox sur demande
 Tubo guiae en Acero Inox bajo pedido
 Tubo Guia de Aço-Inox sob pedido

Materiali e Componenti	IT	Materials and Components	GB	Materialien und Komponenten	DE
1 Corpo: Ottone CW614N 2 Tenute: NBR - EPDM - FKM 3 Tubo guida: Ottone 4 Nucleo fisso e mobile: Acciaio Inox AISI 430FR 5 Molle: Acciaio Inox		1 Body: Brass CW614N 2 Seals: NBR - EPDM - FKM 3 Armature tube: Brass 4 Fixed and mobile core: Stainless steel AISI 430FR 5 Springs: Stainless steel		1 Körper: Messing CW614N 2 Dichtung: NBR - EPDM - FKM 3 Führungsrohr: Messing 4 Kern: Edelstahl AISI 430FR 5 Feder: Edelstahl	
Matériaux et Composants	FR	Materiales y componentes	ES	Materialis e Componentes	PT
1 Corps: Laiton CW614N 2 Joints: NBR - EPDM - FKM 3 Tube de pilotage: Laiton 4 Noyau: Acier inox AISI 430FR 5 Ressort: Acier inox		1 Cuerpo: Latón CW614N 2 Juntas: NBR - EPDM - FKM 3 Tubo guía: Latón 4 Núcleo fijo y móvil: Acero inox AISI 430FR 5 Muelle: Acero inox		1 Corpo: Latão CW614N 2 Vedações: NBR - EPDM - FKM 3 Tubo Guia: Latão 4 Núcleo fixo e móvel I: Aço-inox AISI 430FR 5 Mola: Aço-inox	



Pressione massima ammissibile

Maximum allowable pressure

Max. Betriebsdruck

Pression de service max.

Presión máxima admisible

Pressão máxima admissível

50 bar



Tabella compatibilità e materiali

Compatibility and materials table

Beständigkeitsübersicht

Tableau de compatibilité des matériaux

Tabla de compatibilidad de materiales

Tabela de compatibilidade química

Pag. 0.21 - 0.22



Temperatura ambiente con bobine in classe H

Room temperature with coil class H

Raumtemperatur, mit Spule der Klasse H

Température ambiante, avec bobine classe H

Temperatura ambiente con bobina classe H

Temperatura ambiente com bobina de classe H

**- 10 °C
+ 80 °C**

OPZIONI SU RICHIESTA - OPTIONS ON REQUEST - OPTIONEN AUF ANFRAGE - OPTIONS SUR DEMANDE - OPCIONES BAJO PEDIDO - OPÇÕES SOB ENCOMENDA

Tubo guida in Acciaio Inox - Stainless Steel armature tube - Führungsrohr aus Edelstahl
 Tube de pilotage en Acier Inox - Tubo guiae en Acero Inox - Tubo Guia de Aço-Inox

Versione idonea per utilizzo con ossigeno industriale - Version suitable for use with industrial oxygen - Version für industrie sauerstoff
 Version adaptée à une utilisation avec de l'oxygène industriel - Versión idónea para el uso con oxígeno industrial - Versão adequada para utilização com oxigênio industrial

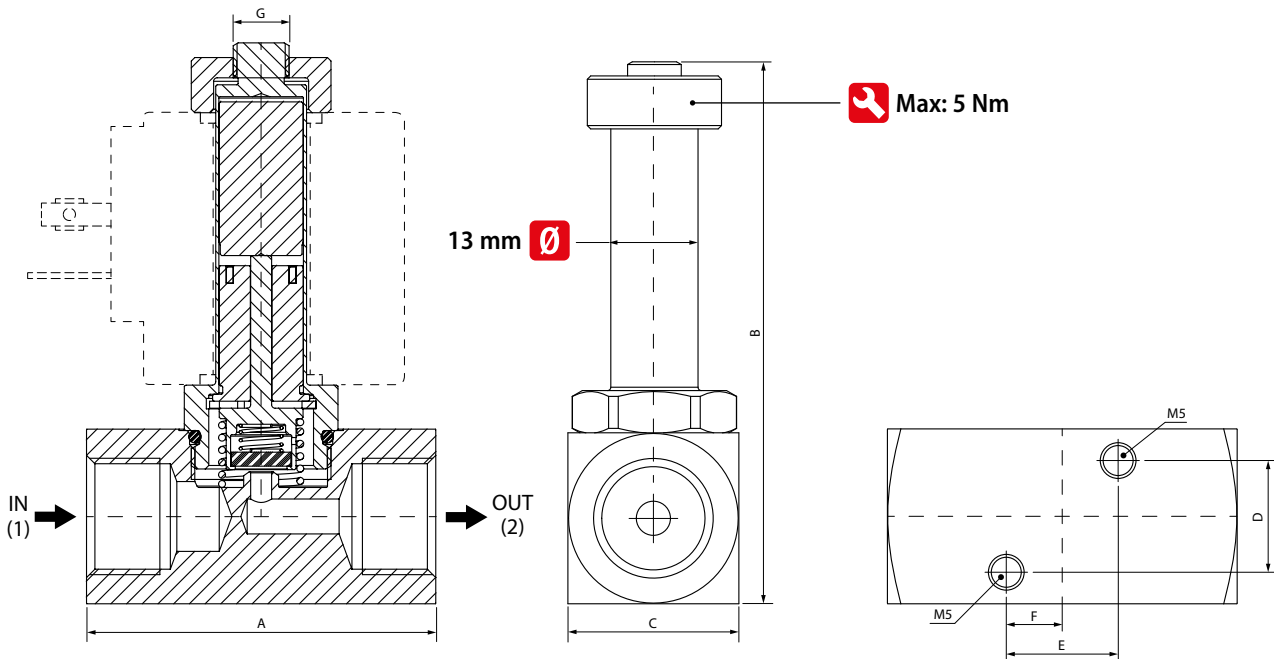
Trattamento superficiale di nichelatura chimica componenti in ottone - Chemical nickel plating treatment for brass components - Chemische vernickelung Messingkomponenten
 Traitement surface nickelage chimique composants laiton - Tratamiento superficial niquelatura química componentes latón - Tratamento superficial niquelação química componentes latão

Code	Materiale tenute Sealing materials Dichtungswerkstoffe Matériau joint Material juntas Material das vedações	Conessioni Port size Verbindungen Connexions Conexiones Conexões	Ø Orifizio Ø Orifice Ø Dn Ø Passage Ø Orificio Ø Orificio	Viscosità Viscosity Viskosität Viscosité Viscosidad Viscosidade	Kv	Pressione differenziale (OPD) Differential pressure (OPD) Differenzdruck (OPD) Pression différentielle (OPD) Presión diferencial (OPD) Pressão diferencial (OPD)			Potenza Power Leistung Puissance Potência		Bobine Coils Spulen Bobines Bobinas					
						Bar	Min	Max DC	Max AC	DC W	AC VA	Size mm	Serie C - pag. 19.5 D - pag. 19.6 E - pag. 19.7			
02F 04 2 03 _ 0	N = NBR -10°C +90°C V = FKM -10°C +140°C E = EPDM -10°C +140°C	ISO 228	mm	cSt	m³/h	Bar			-	14	30	C - SOL20				
0						7.5	7.5	-					14	30	D - SOL20	
						7.5	7.5									
0		3/8"	4	53	0.35	0	-	4.5	-	14	30	C - SOL20				
							4.5	4.5					-	14	30	D - SOL20
							4.5	4.5								
0		1/2"	5	53	0.51	0	-	2.5	-	14	30	C - SOL20				
							2.5	2.5					-	14	30	D - SOL20
							2.5	2.5								
0	3	53	0.21	0	0	-	7.5	-	14	30	C - SOL20					
						7.5	7.5					-	14	30	D - SOL20	
						7.5	7.5									
0	4	53	0.35	0	0	-	4.5	-	14	30	C - SOL20					
						4.5	4.5					-	14	30	D - SOL20	
						4.5	4.5									
0	5	53	0.51	0	0	-	2.5	-	14	30	C - SOL20					
						2.5	2.5					-	14	30	D - SOL20	
						2.5	2.5									

① Selezionare tenuta - Select seal material - Wählen Sie das Dichtungsmaterial aus - Sélectionner matériau d'étanchéité - Seleccionar material sellado - Seleccionar material de vedação

EPDM - P max= 2.5 bar: Con vapore - With steam - Mit dampf - Avec vapeur - Con vapor - Com vapor

Bobina non inclusa - Coil not included - Magnetspulen separat - Bobines non incluse - Bobina no incluida - Bobinas não incluidas



Size	A	B	C	D	E	F	G
3/8"	50	80.3	25	16	16	8	M8 x 1
1/2"	58	80.3	25	16	16	8	M8 x 1

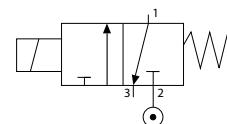
SERIE 02F

ELETTROVALVOLE AD AZIONAMENTO DIRETTO CON CORPO IN OTTONE

DIRECT ACTUATED SOLENOID VALVES WITH BRASS BODY
 MAGNETVENTILE MIT DIREKTER BETÄTIGUNG MIT MESSINGGEHÄUSE
 ÉLECTROVANNES À COMMANDE DIRECTE AVEC CORPS EN LAITON
 ELECTROVÁLVULAS DE ACCIONAMIENTO DIRECTO CON CUERPO DE LATÓN
 ELETRÓVALVULAS DE ACIONAMENTO DIRETO COM CORPO DE LATÃO

3/2 NC

1/4"



Materiali e Componenti	IT	Materials and Components	GB	Materialien und Komponenten	DE
1 Corpo: Ottone CW617N		1 Body: Brass CW617N		1 Körper: Messing CW617N	
2 Tenute: NBR - EPDM - FKM		2 Seals: NBR - EPDM - FKM		2 Dichtung: NBR - EPDM - FKM	
3 Tubo guida: Acciaio Inox		3 Armature tube: Stainless steel		3 Führungsrohr: Edelstahl	
4 Nucleo fisso e mobile: Acciaio Inox AISI 430FR		4 Fixed and mobile core: Stainless steel AISI 430FR		4 Kern: Edelstahl AISI 430FR	
5 Molle: Acciaio Inox		5 Springs: Stainless steel		5 Feder: Edelstahl	
Matériaux et Composants	FR	Materiales y componentes	ES	Materialis e Componentes	PT
1 Corps: Laiton CW617N		1 Cuerpo: Latón CW617N		1 Corpo: Latão CW617N	
2 Joints: NBR - EPDM - FKM		2 Juntas: NBR - EPDM - FKM		2 Vedações: NBR - EPDM - FKM	
3 Tube de pilotage: Acier inox		3 Tubo guía: Acero inox		3 Tubo Guia: Aço-inox	
4 Noyau: Acier inox AISI 430FR		4 Núcleo fijo y móvil: Acero inox AISI 430FR		4 Núcleo fixo e móvel I: Aço-inox AISI 430FR	
5 Ressort: Acier inox		5 Muelle: Acero inox		5 Mola: Aço-inox	



Pressione massima ammissibile

Maximum allowable pressure

Max. Betriebsdruck

Pression de service max.

Presión máxima admisible

Pressão máxima admissível

50 bar



Tabella compatibilità e materiali

Compatibility and materials table

Beständigkeitsübersicht

Tableau de compatibilité des matériaux

Tabla de compatibilidad de materiales

Tabela de compatibilidade química

Pag. 0.21 - 0.22



Temperatura ambiente con bobine in classe H

Room temperature with coil class H

Raumtemperatur, mit Spule der Klasse H

Température ambiante, avec bobine classe H

Temperatura ambiente con bobina classe H

Temperatura ambiente com bobina de classe H

**- 10 °C
+ 80 °C**

OPZIONI SU RICHIESTA - OPTIONS ON REQUEST - OPTIONEN AUF ANFRAGE - OPTIONS SUR DEMANDE - OPCIONES BAJO PEDIDO - OPÇÕES SOB ENCOMENDA

Comando manuale - Manual override - Handbetätigung
 Commande manuelle - Comando manual - Acionamento manual

Sede in Acciaio Inox - Stainless Steel seat - Sitz aus Edestahl
 Siège en Acier Inoxydable - Asiento en Acero Inoxidable - Sede in Acciaio Inox

Versione idonea per utilizzo con ossigeno industriale - Version suitable for use with industrial oxygen - Version für industrie sauerstoff
 Version adaptée à une utilisation avec de l'oxygène industriel - Versión idónea para el uso con oxígeno industrial - Versão adequada para utilização com oxigênio industrial

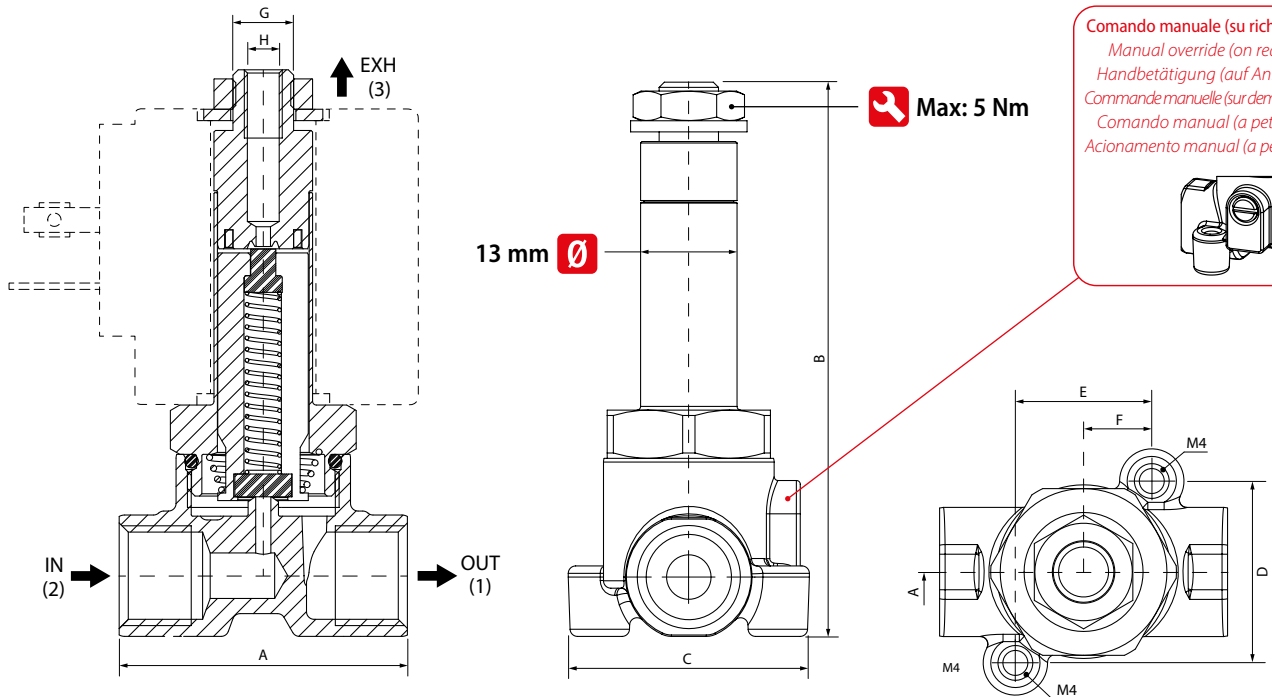
Trattamento superficiale di nichelatura chimica componenti in ottone - Chemical nickel plating treatment for brass components - Chemische vernickelung Messingkomponenten
 Traitement surface nickelage chimique composants laiton - Tratamiento superficial niquelatura química componentes latón - Tratamento superficial niquelação química componentes latão

Code	Materiale tenute Sealing materials Dichtungswerkstoffe Matériau joint Material juntas Material das vedações	Conessioni Port size Verbindungen Connexions Conexiones Conexões	Ø Orifizio Ø Orifice Ø Dn Ø Passage Ø Orificio Ø Orificio		Viscosità Viscosity Viskosität Viscosité Viscosidad Viscosidade	Kv	Pressione differenziale (OPD) Differential pressure (OPD) Differenzdruck (OPD) Pression différentielle (OPD) Presión diferencial (OPD) Pressão diferencial (OPD)			Potenza Power Leistung Puissance Potencia Potência		Bobine Coils Spulen Bobines Bobinas Bobinas			
			mm				cSt	m³/h	Bar	DC	AC	Size	Series		
①	①	ISO 228	IN	EXH		IN	EXH	Min	Max DC	Max AC	W	VA	mm	C - pag. 19.5 D - pag. 19.6 E - pag. 19.7	
02F 03 3 15 _ 0	N = NBR -10°C +90°C V = FKM -10°C +140°C E = EPDM -10°C +140°C	1/4"	1.5	1.9	25	0.06	0.10	0	25	25	8	14	30	C - SOL20	
02F 03 3 02 _ 0			2	1.9	37	0.10	0.10	0	18	18	8	14	30	C - SOL20	
			02F 03 3 25 _ 0	2.5	1.9	37	0.15	0.10	0	18	18	14	21	30	D - SOL20
										22	31	36	E - SOL21		
02F 03 3 03 _ 0			3	1.9	37	0.21	0.10	0	13	13	8	14	30	C - SOL20	
									10	10	14	21	30	D - SOL20	
									10	10	22	31	36	E - SOL21	
02F 03 3 04 _ 0			4	1.9	37	0.35	0.10	0	6	6	8	14	30	C - SOL20	
									6	6	14	21	30	D - SOL20	
									6	6	22	31	36	E - SOL21	
02F 03 3 05 _ 0			5	1.9	37	0.51	0.10	0	3	3	8	14	30	C - SOL20	
									3	3	14	21	30	D - SOL20	
									3	3	22	31	36	E - SOL21	

① Selezionare tenuta - Select seal material - Wählen Sie das Dichtungsmaterial aus - Sélectionner matériau d'étanchéité - Seleccionar material sellado - Seleccionar material de vedação

EPDM - P max= 2.5 bar: Con vapore - With steam - Mit dampf - Avec vapeur - Con vapor - Com vapor

Bobina non inclusa - Coil not included - Magnetspulen separat - Bobines non incluse - Bobina no incluida - Bobinas não incluidas



Size	A	B	C	D	E	F	G	H
1/4"	38	74.7	32.5	24	18	9	M8 x 1	M5

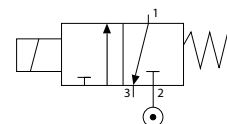
SERIE 02F

ELETTROVALVOLE AD AZIONAMENTO DIRETTO CON CORPO IN OTTONE

DIRECT ACTUATED SOLENOID VALVES WITH BRASS BODY
 MAGNETVENTILE MIT DIREKTER BETÄTIGUNG MIT MESSINGGEHÄUSE
 ÉLECTROVANNES À COMMANDE DIRECTE AVEC CORPS EN LAITON
 ELECTROVÁLVULAS DE ACCIONAMIENTO DIRECTO CON CUERPO DE LATÓN
 ELETRÓVALVULAS DE ACIONAMENTO DIRETO COM CORPO DE LATÃO

3/2 NC

3/8" - 1/2"



Materiali e Componenti	IT	Materials and Components	GB	Materialien und Komponenten	DE
1 Corpo: Ottone CW614N 2 Tenute: NBR - EPDM - FKM 3 Tubo guida: Acciaio Inox 4 Nucleo fisso e mobile: Acciaio Inox AISI 430FR 5 Molle: Acciaio Inox		1 Body: Brass CW614N 2 Seals: NBR - EPDM - FKM 3 Armature tube: Stainless steel 4 Fixed and mobile core: Stainless steel AISI 430FR 5 Springs: Stainless steel		1 Körper: Messing CW614N 2 Dichtung: NBR - EPDM - FKM 3 Führungsrohr: Edelstahl 4 Kern: Edelstahl AISI 430FR 5 Feder: Edelstahl	
Matériaux et Composants	FR	Materiales y componentes	ES	Materialis e Componentes	PT
1 Corps: Laiton CW614N 2 Joints: NBR - EPDM - FKM 3 Tube de pilotage: Acier inox 4 Noyau: Acier inox AISI 430FR 5 Ressort: Acier inox		1 Cuerpo: Latón CW614N 2 Juntas: NBR - EPDM - FKM 3 Tubo guía: Acero inox 4 Núcleo fijo y móvil: Acero inox AISI 430FR 5 Muelle: Acero inox		1 Corpo: Latão CW614N 2 Vedações: NBR - EPDM - FKM 3 Tubo Guia: Aço-inox 4 Núcleo fixo e móvel I: Aço-inox AISI 430FR 5 Mola: Aço-inox	



Pressione massima ammissibile

Maximum allowable pressure

Max. Betriebsdruck

Pression de service max.

Presión máxima admisible

Pressão máxima admissível

50 bar



Tabella compatibilità e materiali

Compatibility and materials table

Beständigkeitsübersicht

Tableau de compatibilité des matériaux

Tabla de compatibilidad de materiales

Tabela de compatibilidade química

Pag. 0.21 - 0.22



Temperatura ambiente con bobine in classe H

Room temperature with coil class H

Raumtemperatur, mit Spule der Klasse H

Température ambiante, avec bobine classe H

Temperatura ambiente con bobina classe H

Temperatura ambiente com bobina de classe H

**- 10 °C
+ 80 °C**

OPZIONI SU RICHIESTA - OPTIONS ON REQUEST - OPTIONEN AUF ANFRAGE - OPTIONS SUR DEMANDE - OPCIONES BAJO PEDIDO - OPÇÕES SOB ENCOMENDA

Versione idonea per utilizzo con ossigeno industriale - Version suitable for use with industrial oxygen - Version für industrie sauerstoff
 Version adaptée à une utilisation avec de l'oxygène industriel - Versión idónea para el uso con oxígeno industrial - Versão adequada para utilização com oxigênio industrial

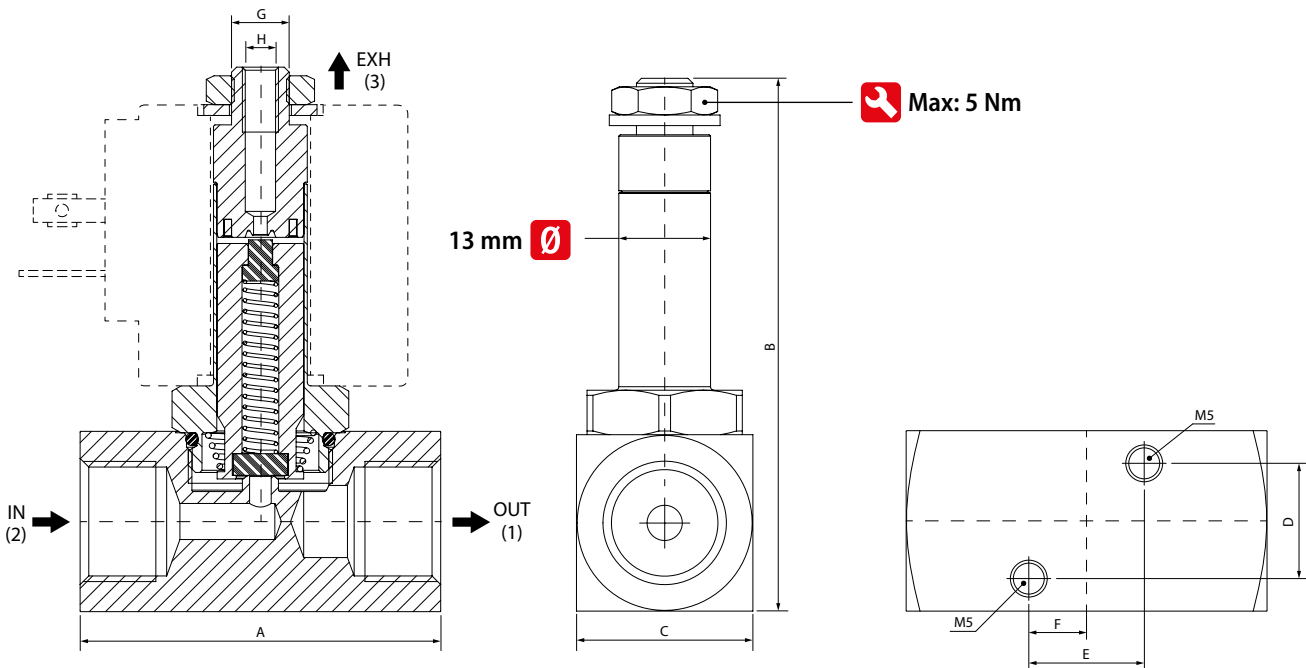
Trattamento superficiale di nichelatura chimica componenti in ottone - Chemical nickel plating treatment for brass components - Chemische vernickelung Messingkomponenten
 Traitement surface nickelage chimique composants laiton - Tratamiento superficial niquelatura química componentes latón - Tratamento superficial niquelação química componentes latão

Code	Materiale tenute Sealing materials Dichtungswerkstoffe Matériau joint Material juntas Material das vedações	Conessioni Port size Verbindungen Connexions Conexiones Conexões	Ø Orifizio Ø Orifice Ø Dn Ø Passage Ø Orificio Ø Orifício		Viscosità Viscosity Viskosität Viscosité Viscosidad Viscosidade	Kv	Pressione differenziale (OPD) Differential pressure (OPD) Differenzdruck (OPD) Pression différentielle (OPD) Presión diferencial (OPD) Pressão diferencial (OPD)			Potenza Power Leistung Puissance Potencia Potência		Bobine Coils Spulen Bobines Bobinas Bobinas				
			mm				cSt	m ³ /h	Bar	DC	AC	Size	Serie			
		ISO 228	IN	EXH		IN	EXH	Min	Max DC	Max AC	W	VA	mm	C - pag. 19.5 D - pag. 19.6 E - pag. 19.7		
02F 04 3 03 _ 0	N = NBR -10°C +90°C V = FKM -10°C +140°C E = EPDM -10°C +140°C	3/8"	3	1.9	37	0.21	0.10	0	10	10	8	14	30	C - SOL20		
10									10							
10									10							
02F 04 3 04 _ 0		N = NBR -10°C +90°C V = FKM -10°C +140°C E = EPDM -10°C +140°C	3/8"	4	1.9	37	0.35	0.10	0	6	6	8	14	30	C - SOL20	
6										6						
6										6						
02F 04 3 05 _ 0			N = NBR -10°C +90°C V = FKM -10°C +140°C E = EPDM -10°C +140°C	3/8"	5	1.9	37	0.51	0.10	0	3	3	8	14	30	C - SOL20
3											3					
3											3					
02F 05 3 03 _ 0	N = NBR -10°C +90°C V = FKM -10°C +140°C E = EPDM -10°C +140°C			1/2"	3	1.9	37	0.21	0.10	0	10	10	8	14	30	C - SOL20
10											10					
10											10					
02F 05 3 04 _ 0		N = NBR -10°C +90°C V = FKM -10°C +140°C E = EPDM -10°C +140°C		1/2"	4	1.9	37	0.35	0.10	0	6	6	8	14	30	C - SOL20
6											6					
6											6					
02F 05 3 05 _ 0			N = NBR -10°C +90°C V = FKM -10°C +140°C E = EPDM -10°C +140°C	1/2"	5	1.9	37	0.51	0.10	0	3	3	8	14	30	C - SOL20
3											3					
3											3					

① **Selezionare tenuta - Select seal material - Wählen Sie das Dichtungsmaterial aus - Sélectionner matériau d'étanchéité - Seleccionar material sellado - Seleccionar material de vedação**

EPDM - P max= 2.5 bar: Con vapore - With steam - Mit dampf - Avec vapeur - Con vapor - Com vapor

Bobina non inclusa - Coil not included - Magnetspulen separat - Bobines non incluse - Bobina no incluida - Bobinas não incluidas



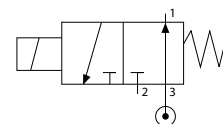
Size	A	B	C	D	E	F	G	H
3/8"	50	75.5	25	16	16	8	M8 x 1	M5
1/2"	58	75.5	25	16	16	8	M8 x 1	M5

SERIE 02F

ELETTROVALVOLE AD AZIONAMENTO DIRETTO CON CORPO IN OTTONE

DIRECT ACTUATED SOLENOID VALVES WITH BRASS BODY
 MAGNETVENTILE MIT DIREKTER BETÄTIGUNG MIT MESSINGGEHÄUSE
 ÉLECTROVANNES À COMMANDE DIRECTE AVEC CORPS EN LAITON
 ELECTROVÁLVULAS DE ACCIONAMIENTO DIRECTO CON CUERPO DE LATÓN
 ELETTROVÁLVULAS DE ACIONAMENTO DIRETO COM CORPO DE LATÃO

3/2 NO **1/4"**



Materiali e Componenti	IT	Materials and Components	GB	Materialien und Komponenten	DE
1 Corpo: Ottone CW617N 2 Tenute: NBR - EPDM - FKM 3 Tubo guida: Acciaio Inox 4 Nucleo fisso e mobile: Acciaio Inox AISI 430FR 5 Molle: Acciaio Inox		1 Body: Brass CW617N 2 Seals: NBR - EPDM - FKM 3 Armature tube: Stainless steel 4 Fixed and mobile core: Stainless steel AISI 430FR 5 Springs: Stainless steel		1 Körper: Messing CW617N 2 Dichtung: NBR - EPDM - FKM 3 Führungsrohr: Edelstahl 4 Kern: Edelstahl AISI 430FR 5 Feder: Edelstahl	
Matériaux et Composants	FR	Materiales y componentes	ES	Materialis e Componentes	PT
1 Corps: Laiton CW617N 2 Joints: NBR - EPDM - FKM 3 Tube de pilotage: Acier inox 4 Noyau: Acier inox AISI 430FR 5 Ressort: Acier inox		1 Cuerpo: Latón CW617N 2 Juntas: NBR - EPDM - FKM 3 Tubo guía: Acero inox 4 Núcleo fijo y móvil: Acero inox AISI 430FR 5 Muelle: Acero inox		1 Corpo: Latão CW617N 2 Vedações: NBR - EPDM - FKM 3 Tubo Guia: Aço-inox 4 Núcleo fixo e móvel I: Aço-inox AISI 430FR 5 Mola: Aço-inox	



Pressione massima ammissibile

Maximum allowable pressure

Max. Betriebsdruck

Pression de service max.

Presión máxima admisible

Pressão máxima admissível

50 bar



Tabella compatibilità e materiali

Compatibility and materials table

Beständigkeitsübersicht

Tableau de compatibilité des matériaux

Tabla de compatibilidad de materiales

Tabela de compatibilidade química

Pag. 0.21 - 0.22



Temperatura ambiente con bobine in classe H

Room temperature with coil class H

Raumtemperatur, mit Spule der Klasse H

Température ambiante, avec bobine classe H

Temperatura ambiente con bobina classe H

Temperatura ambiente com bobina de classe H

**- 10 °C
+ 80 °C**

OPZIONI SU RICHIESTA - OPTIONS ON REQUEST - OPTIONEN AUF ANFRAGE - OPTIONS SUR DEMANDE - OPCIONES BAJO PEDIDO - OPÇÕES SOB ENCOMENDA

Comando manuale - Manual override - Handbetätigung
 Commande manuelle - Comando manual - Acionamento manual

Sede in Acciaio Inox - Stainless Steel seat - Sitz aus Edestahl
 Siège en Acier Inoxydable - Asiento en Acero Inoxidable - Sede in Acciaio Inox

Versione idonea per utilizzo con ossigeno industriale - Version suitable for use with industrial oxygen - Version für industrie sauerstoff
 Version adaptée à une utilisation avec de l'oxygène industriel - Versión idónea para el uso con oxígeno industrial - Versão adequada para utilização com oxigênio industrial

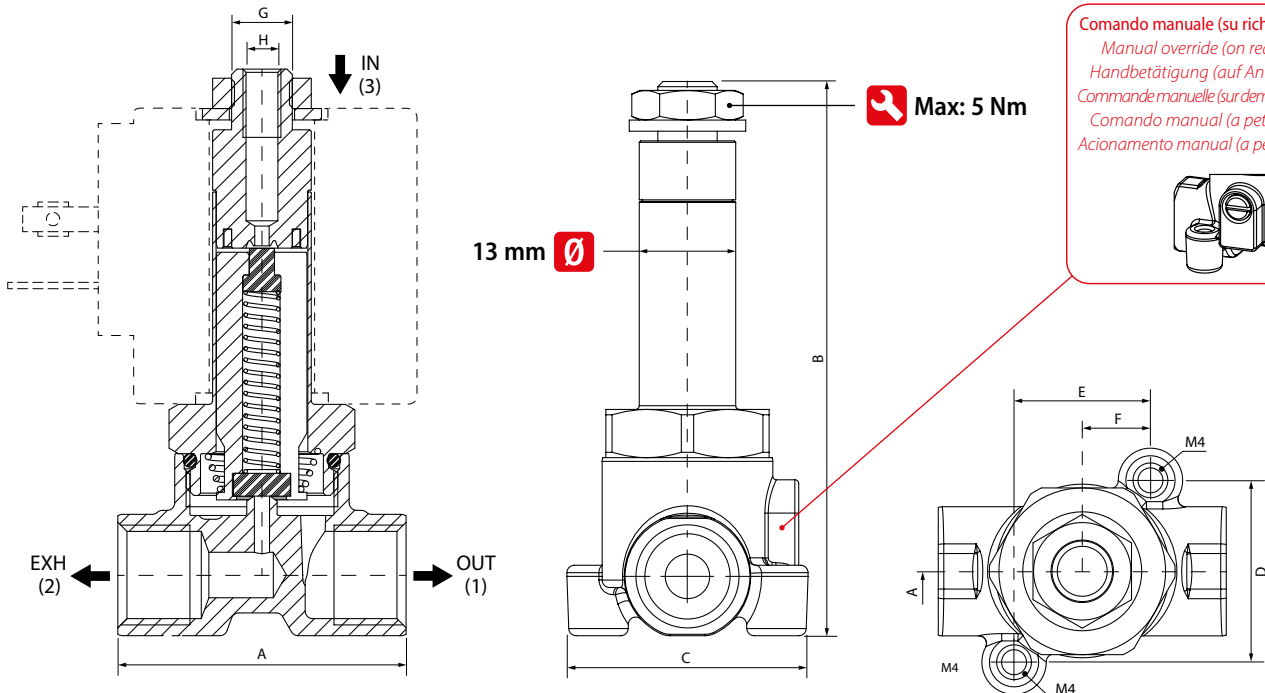
Trattamento superficiale di nichelatura chimica componenti in ottone - Chemical nickel plating treatment for brass components - Chemische vernickelung Messingkomponenten
 Traitement surface nickelage chimique composants laiton - Tratamiento superficial niquelatura química componentes latón - Tratamento superficial niquelação química componentes latão

Code	Materiale tenute Sealing materials Dichtungswerkstoffe Matériau joint Material juntas Material das vedações	Conessioni Port size Verbindungen Connexions Conexiones Conexões	Ø Orifizio Ø Orifice Ø Dn Ø Passage Ø Orificio Ø Orificio		Viscosità Viscosity Viskosität Viscosité Viscosidad Viscosidade	Kv	Pressione differenziale (OPD) Differential pressure (OPD) Differenzdruck (OPD) Pression différentielle (OPD) Presión diferencial (OPD) Pressão diferencial (OPD)			Potenza Power Leistung Puissance Potencia Potência		Bobine Coils Spulen Bobines Bobinas Bobinas						
			mm				cSt	m³/h	Bar	DC	AC	Size	Serie					
①	①	ISO 228	IN	EXH		IN	EXH	Min	Max DC	Max AC	W	VA	mm	C - pag. 19.5 D - pag. 19.6 E - pag. 19.7				
02F 03 4 15 _ 0	N = NBR -10°C +90°C V = FKM -10°C +140°C E = EPDM -10°C +140°C	1/4"	1.9	1.5	25	0.10	0.06	0	15	15	8	14	30	C - SOL20				
02F 03 4 02 _ 0									15	15					14	21	30	D - SOL20
02F 03 4 25 _ 0									15	15								
02F 03 4 03 _ 0			15	15	8	14	30	C - SOL20										
02F 03 4 04 _ 0			10	15					14	21	30	D - SOL20						
02F 03 4 05 _ 0			15	15									22	31	36	E - SOL21		
			15	15	8	14	30	C - SOL20										
			10	15					14	21	30	D - SOL20						
			15	15									22	31	36	E - SOL21		
			4	10	8	14	30	C - SOL20										
			7	15					14	21	30	D - SOL20						
			13	15									22	31	36	E - SOL21		
			2	6	8	14	30	C - SOL20										
			3	9.5					14	21	30	D - SOL20						
			8	12									22	31	36	E - SOL21		

① Selezionare tenuta - Select seal material - Wählen Sie das Dichtungsmaterial aus - Sélectionner matériau d'étanchéité - Seleccionar material sellado - Seleccionar material de vedação

EPDM - P max= 2.5 bar: Con vapore - With steam - Mit dampf - Avec vapeur - Con vapor - Com vapor

Bobina non inclusa - Coil not included - Magnetspulen separat - Bobines non incluse - Bobina no incluida - Bobinas não incluidas



Size	A	B	C	D	E	F	G	H
1/4"	38	74.7	32.5	24	18	9	M8 x 1	M5

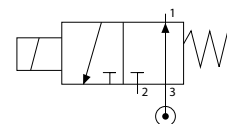
SERIE 02F

ELETTROVALVOLE AD AZIONAMENTO DIRETTO CON CORPO IN OTTONE

DIRECT ACTUATED SOLENOID VALVES WITH BRASS BODY
 MAGNETVENTILE MIT DIREKTER BETÄTIGUNG MIT MESSINGGEHÄUSE
 ÉLECTROVANNES À COMMANDE DIRECTE AVEC CORPS EN LAITON
 ELECTROVÁLVULAS DE ACCIONAMIENTO DIRECTO CON CUERPO DE LATÓN
 ELETTROVÁLVULAS DE ACIONAMENTO DIRETO COM CORPO DE LATÃO

3/2 NO

3/8" - 1/2"



Materiali e Componenti

IT

- 1 Corpo: Ottone CW614N
- 2 Tenute: NBR - EPDM - FKM
- 3 Tubo guida: Acciaio Inox
- 4 Nucleo fisso e mobile: Acciaio Inox AISI 430FR
- 5 Molle: Acciaio Inox

Materials and Components

GB

- 1 Body: Brass CW614N
- 2 Seals: NBR - EPDM - FKM
- 3 Armature tube: Stainless steel
- 4 Fixed and mobile core: Stainless steel AISI 430FR
- 5 Springs: Stainless steel

Materialien und Komponenten

DE

- 1 Körper: Messing CW614N
- 2 Dichtung: NBR - EPDM - FKM
- 3 Führungsrohr: Edelstahl
- 4 Kern: Edelstahl AISI 430FR
- 5 Feder: Edelstahl

Matériaux et Composants

FR

- 1 Corps: Laiton CW614N
- 2 Joints: NBR - EPDM - FKM
- 3 Tube de pilotage: Acier inox
- 4 Noyau: Acier inox AISI 430FR
- 5 Ressort: Acier inox

Materiales y componentes

ES

- 1 Cuerpo: Latón CW614N
- 2 Juntas: NBR - EPDM - FKM
- 3 Tubo guía: Acero inox
- 4 Núcleo fijo y móvil: Acero inox AISI 430FR
- 5 Muelle: Acero inox

Materialis e Componentes

PT

- 1 Corpo: Latão CW614N
- 2 Vedações: NBR - EPDM - FKM
- 3 Tubo Guia: Aço-inox
- 4 Núcleo fixo e móvel I: Aço-inox AISI 430FR
- 5 Mola: Aço-inox



Pressione massima ammissibile

Maximum allowable pressure

Max. Betriebsdruck

Pression de service max.

Presión máxima admisible

Pressão máxima admissível

50 bar



Tabella compatibilità e materiali

Compatibility and materials table

Beständigkeitsübersicht

Tableau de compatibilité des matériaux

Tabla de compatibilidad de materiales

Tabela de compatibilidade química

Pag. 0.21 - 0.22



Temperatura ambiente con bobine in classe H

Room temperature with coil class H

Raumtemperatur, mit Spule der Klasse H

Température ambiante, avec bobine classe H

Temperatura ambiente con bobina classe H

Temperatura ambiente com bobina de classe H

**- 10 °C
+ 80 °C**

OPZIONI SU RICHIESTA - OPTIONS ON REQUEST - OPTIONEN AUF ANFRAGE - OPTIONS SUR DEMANDE - OPCIONES BAJO PEDIDO - OPÇÕES SOB ENCOMENDA

Versione idonea per utilizzo con ossigeno industriale - Version suitable for use with industrial oxygen - Version für industrie sauerstoff
 Version adaptée à une utilisation avec de l'oxygène industriel - Versión idónea para el uso con oxígeno industrial - Versão adequada para utilização com oxigênio industrial

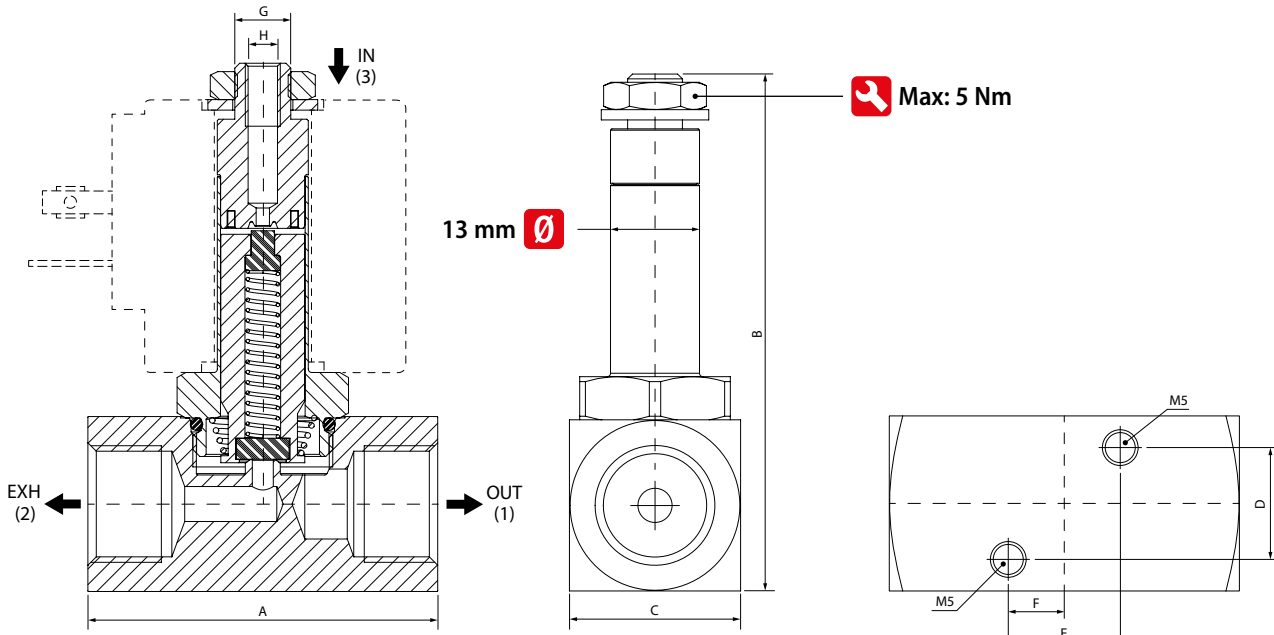
Trattamento superficiale di nichelatura chimica componenti in ottone - Chemical nickel plating treatment for brass components - Chemische vernickelung Messingkomponenten
 Traitement surface nickelage chimique composants laiton - Tratamiento superficial niquelatura química componentes latón - Tratamento superficial niquelação química componentes latão

Code	Materiale tenute Sealing materials Dichtungswerkstoffe Matériau joint Material juntas Material das vedações	Conessioni Port size Verbindungen Connexions Conexiones Conexões	Ø Orifizio Ø Orifice Ø Dn Ø Passage Ø Orificio Ø Orificio		Viscosità Viscosity Viskosität Viscosité Viscosidad Viscosidade	Kv	Pressione differenziale (OPD) Differential pressure (OPD) Differenzdruck (OPD) Pression différentielle (OPD) Presión diferencial (OPD) Pressão diferencial (OPD)			Potenza Power Leistung Puissance Potencia Potência		Bobine Coils Spulen Bobines Bobinas Bobinas														
			mm	IN			EXH	cSt	m³/h	Bar	DC	AC	Size	Serie C - pag. 19.5 D - pag. 19.6 E - pag. 19.7												
02F 04 4 03 _ 0	N = NBR -10°C +90°C V = FKM -10°C +140°C E = EPDM -10°C +140°C	ISO 228 3/8"	1.9	3	37	0.10	0.21	0	10	15	8	14	30	C - SOL20												
15									15																	
15									15																	
1.9			4	37	0.10	0.35	0	4	10	14					21	30	D - SOL20									
								7	15																	
								13	15																	
1.9			5	37	0.10	0.51	0	2	6									22	31	36	E - SOL21					
								3	9.5																	
								8	12																	
02F 05 4 03 _ 0		1/2"	1.9	3	37	0.10	0.21	0	10		15	8	14	30								C - SOL20				
									15		15															
									15		15															
02F 05 4 04 _ 0					1.9	4	37	0.10	0.35	0	4				10	14	21						30	D - SOL20		
											7				15											
											13				15											
02F 05 4 05 _ 0							1.9	5	37	0.10	0.51				0			2	6	22	31				36	E - SOL21
																		3	9.5							
																		8	12							


① **Selezionare tenuta** - Select seal material - Wählen Sie das Dichtungsmaterial aus - Sélectionner matériau d'étanchéité - Seleccionar material sellado - Seleccionar material de vedação

EPDM - P max= 2.5 bar: Con vapore - With steam - Mit dampf - Avec vapeur - Con vapor - Com vapor

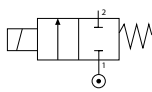
Bobina non inclusa - Coil not included - Magnetspulen separat - Bobines non incluse - Bobina no incluida - Bobinas não incluidas





Size	A	B	C	D	E	F	G
3/8"	50	75.5	25	16	16	8	M8 x 1
1/2"	58	75.5	25	16	16	8	M8 x 1



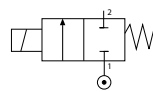
2/2 NC




1/4"
Pag. 5.4

2/2 NC



3/8" - 1/2"
Pag. 5.6




50 mm

Serie Y
Pag. 19.8



**ELETTROVALVOLE AD AZIONAMENTO DIRETTO CON
CORPOIN OTTONE PER BOBINA ATEX "SERIE Y"**

*DIRECT ACTING SOLENOID VALVES WITH
BRASS BODY FOR "SERIES Y" ATEX COIL*
*MAGNETVENTILE MIT DIREKTER BETÄTIGUNG
MIT MESSINGGEHÄUSE FÜR SPULE ATEX "Y-SERIE"*
*ELECTROVANNES À COMMANDE DIRECTE
AVEC CORPS EN LAITON POUR BOBINE ATEX "SERIE Y"*
*ELECTROVÁLVULAS DE ACCIONAMIENTO DIRECTO
CON CUERPO DE LATÓN PARA BOBINA ATEX "SERIE Y"*
*ELETROVÁLVULAS DE ACIONAMENTO DIRETO
COM CORPO DE LATÃO PARA BOBINA ATEX "SERIE Y"*



II 2 G/D Ex h



Serie 02A - Coil ATEX Ex d

Le elettrovalvole ATEX serie 02A - azionamento diretto con corpo filettato in ottone - disponibili nella sola funzione 2/2 NC, possono essere installate in atmosfere potenzialmente esplosive grazie all'utilizzo esclusivo con la bobina ATEX serie Y avente custodia a prova di esplosione con marcatura Ex d / Ex tb.

Anche la parte meccanica (valvola) è certificata ATEX II 2G/D Ex h, a completamento della garanzia del prodotto.

Principali vantaggi

- Installazione in atmosfere potenzialmente esplosive
- Valvola certificata ATEX II 2G/D Ex h
- Bobina certificata ATEX II 2G/D Ex d / Ex tb
- Connessioni 1/4", 3/8" e 1/2"
- Orifici dal Ø 1.0 mm al Ø 6.4 mm
- Pressioni di lavoro fino a 100 bar
- Ampia selezione dei materiali di tenuta
- Possibilità di esecuzioni speciali con raccordi Aignep

Applicazioni

- Industria Chimica e Metallurgica
- Oil & Gas
- Ossigeno e Idrogeno

The ATEX 02A series solenoid valves - direct acting with brass threaded body - available in the 2/2 NC function only, can be installed in potentially explosive atmospheres thanks to the exclusive use with the Y series ATEX coil having explosion-proof enclosure with marking Ex d / Ex tb.

Even the mechanical part (valve) is ATEX II 2G/D Ex h certified, completing the product warranty.

Main advantages

- Installation in potentially explosive atmospheres
- Valve certified ATEX II 2G/D Ex h
- Coil certified ATEX II 2G/D Ex d / Ex tb
- Connections 1/4", 3/8" & 1/2"
- Orifices from Ø 1.0 mm up to Ø 6.4 mm
- Working pressures up to 100 bar
- Wide selection of sealing materials
- Possibility of special executions with Aignep fittings

Applications

- Chemical and Metallurgical industry
- Oil & Gas
- Oxygen and Hydrogen

Die direktwirkenden ATEX-Magnetventile der Serie 02A - mit Messinggewinde - sind nur in der Funktion 2/2 NC erhältlich. Durch die ausschließliche Verwendung der ATEX-Spule Serie Y mit explosionsgeschütztem Gehäuse und der Kennzeichnung Ex d / Ex tb sind diese für die Installation in explosionsgefährdeten Bereichen geeignet.

Auch der mechanische Teil (Ventil) ist nach ATEX II 2G/D Ex h zertifiziert und vervollständigt damit die Produktsicherheit.

Vorteile

- Installation in explosionsgefährdeten Bereichen
- Ventil zertifiziert nach ATEX II 2G/D Ex h
- Spule zertifiziert nach ATEX II 2G/D Ex d / Ex tb
- Anschlüsse 1/4", 3/8" & 1/2"
- Öffnungen von Ø 1,0 mm bis zu Ø 6,4 mm
- Betriebsdruck bis zu 100 bar
- Große Auswahl an Dichtungsmaterialien
- Möglichkeit von Sonderausführungen mit Aignep-Fittings

Anwendungen

- Chemische und metallurgische Industrie
- Öl und Gas
- Sauerstoff und Wasserstoff

Les électrovannes série ATEX 02A - commande directe avec corps fileté en laiton - disponibles uniquement en fonction 2/2 NF, peuvent être installées dans des atmosphères potentiellement explosives grâce à l'utilisation exclusive de la bobine ATEX série Y ayant un boîtier antidéflagrant avec marquage Ex d / Ex tb.

Même la partie mécanique (vanne) est certifiée ATEX II 2G/D Ex h, complétant la garantie du produit.

Principaux avantages

- Installation en atmosphères potentiellement explosives
- Vanne certifiée ATEX II 2G/D Ex h
- Bobine certifiée ATEX II 2G/D Ex d / Ex tb
- Connexions 1/4", 3/8" & 1/2"
- Orifices de Ø 1,0 mm à Ø 6,4 mm
- Pression jusqu'à 100 bar
- Large choix de matériaux d'étanchéité
- Possibilité d'exécutions spéciales avec raccords Aignep

Applications

- Industrie chimique et métallurgique
- Gaz de pétrole
- Oxygène et Hydrogène

Las electroválvulas serie ATEX 02A (accionamiento directo con cuerpo roscado en latón) disponibles solo en la función 2/2 NC, pueden ser instaladas en atmósferas potencialmente explosivas gracias al uso exclusivo con bobina ATEX serie Y, con encapsulado antideflagrante con marcado Ex d/Ex tb.

Incluso la parte mecánica (válvula) está certificada ATEX II 2G/D Ex h, completando la garantía del producto.

Principales ventajas

- Instalación en atmósferas potencialmente explosivas
- Válvula certificada ATEX II 2G/D Ex h
- Bobina certificada ATEX II 2G/D Ex d / Ex tb
- Conexiones 1/4", 3/8" y 1/2"
- Orificios desde Ø 1,0 mm hasta Ø 6,4 mm
- Presiones de trabajo hasta 100 bar
- Amplia selección de materiales de sellado
- Posibilidad de ejecuciones especiales con racores Aignep

Aplicaciones

- Industria química y metalúrgica
- Gas & petróleo
- Oxígeno e Hidrógeno

As válvulas solenóides ATEX da série 02A - ação direta com corpo roscado em latão - disponíveis na função 2/2 NC, podem ser instaladas em atmosferas potencialmente explosivas, graças ao uso exclusivo da bobina ATEX série Y com invólucro à prova de explosão e marcação Ex d/Ex tb.

Mesmo a parte mecânica (válvula) possui certificação ATEX II 2G/D Ex h, completando a garantia do produto.

Principais vantagens

- Instalação em atmosferas potencialmente explosivas
- Válvula certificada ATEX II 2G/D Ex h
- Bobina certificada ATEX II 2G/D Ex d / Ex tb
- Conexões 1/4", 3/8" e 1/2"
- Orifícios de Ø 1,0 mm até Ø 6,4 mm
- Pressões de trabalho até 100 bar
- Ampla gama de opções de materiais de vedação
- Possibilidade de montagens especiais com conexões Aignep

Aplicações

- Indústria Química e Metalúrgica
- Óleo & Gás
- Oxigênio e Hidrogênio



Caratteristiche generali - 02A	IT	General features - 02A	GB	Eigenschaften - 02A	DE
<ul style="list-style-type: none"> - Posizione di montaggio universale - Certificazione valvola: ATEX II 2G/D Ex h - Certificazione bobina: ATEX II 2G/D Ex d, Ex tb 		<ul style="list-style-type: none"> - Universal mounting position - Valve certification: ATEX II 2G/D Ex h - Coil certification: ATEX II 2G/D Ex d, Ex tb 		<ul style="list-style-type: none"> - Einbaulage universal - Ventilzertifizierung: ATEX II 2G/D Ex h - Spulezertifizierung: ATEX II 2G/D Ex d, Ex tb 	
Caractéristiques générales - 02A	FR	Características generales - 02A	ES	Características gerais - 02A	PT
<ul style="list-style-type: none"> - Position de montage universelle - Certification des vannes: ATEX II 2G/D Ex h - Certification de bobine: ATEX II 2G/D Ex d, Ex tb 		<ul style="list-style-type: none"> - Posición de montaje universal - Certificación de válvula: ATEX II 2G/D Ex h - Certificación de bobina: ATEX II 2G/D Ex d, Ex tb 		<ul style="list-style-type: none"> - Posição de montagem universal - Certificação de válvula: ATEX II 2G/D Ex h - Certificação de bobina: ATEX II 2G/D Ex d, Ex tb 	

- Tabella dei codici di ordinazione**
- Ordering codes
 - Bestellschlüssel
 - Composition de la référence de commande
 - Tabla para definición de código
 - Tabela de código de compra

SERIE	Connessione Port size Masse Dimension Tamaño Tamanho	Funzione Functions Funktion Fonctions Función Funções	Orificio Orifice Dn Passage Orifizio Orificio	Materiale guarnizioni Sealing materials Dichtungswerkstoffe Matériaux des joints Material juntas Material das vedações	Versione Version Ausführung Version Versión Versão	Filettatura Thread Gewinde Filetage Rosca Rosca
-------	---	--	--	---	---	--

0	2	A	0	3	1	0	1	N	0	<input type="checkbox"/>										
			03 = 1/4"	1 = 2/2 NC	Normalmente chiusa Normally closed Normalerweise geschlossen Normalement fermée Normalmente cerrada Normalmente fechada	01 = 1.0 mm	15 = 1.5 mm	02 = 2 mm	25 = 2.5 mm	03 = 3 mm	04 = 4 mm	05 = 5 mm	64 = 6.4 mm	N = NBR	F = NBR ❄️	E = EPDM	V = FKM	P = PTFE	0 = Standard	= Gas N = NPTF

BOBINA: SERIE Y COIL: SERIES Y SPULE: SERIES Y BOBINE: SÉRIES Y BOBINA: SERIES Y BOBINA: SÉRIES Y	PAG: 19.8 PAG: 19.8 PAG: 19.8 PAG: 19.8 PAG: 19.8 PAG: 19.8	
---	---	--

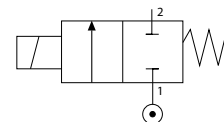
SERIE 02A - ATEX

ELETTROVALVOLE AD AZIONAMENTO DIRETTO CON CORPO IN OTTONE PER BOBINA ATEX "SERIE Y"

DIRECT ACTING SOLENOID VALVES WITH BRASS BODY FOR "SERIES Y" ATEX COIL
 MAGNETVENTILE MIT DIREKTER BETÄTIGUNG MIT MESSINGGEHÄUSE FÜR SPULE ATEX "Y-SERIE"
 ELECTROVANNES À COMMANDE DIRECTE AVEC CORPS EN LAITON POUR BOBINE ATEX "SERIE Y"
 ELECTROVÁLVULAS DE ACCIONAMIENTO DIRECTO CON CUERPO DE LATÓN PARA BOBINA ATEX "SERIE Y"
 ELETTROVÁLVULAS DE ACIONAMENTO DIRETO COM CORPO DE LATÃO PARA BOBINA ATEX "SERIE Y"

2/2 NC

1/4"



**II 2 G/D
Ex d, Ex tb
IP66**

Bobine certificate ATEX
ATEX certified coils
ATEX zertifizierte spule
Bobine certifiées ATEX
Bobina con certificación ATEX
Bobina certificadas ATEX

IT	Materials and Components	GB	Materialien und Komponenten	DE
<p>Materiali e Componenti</p> <p>1 Corpo: Ottone CW617N 2 Tenute: NBR - NBR - EPDM - FKM - PTFE 3 Tubo guida: Acciaio Inox 4 Nucleo fisso e mobile: Acciaio Inox AISI 430FR 5 Molle: Acciaio Inox</p>	<p>Materials and Components</p> <p>1 Body: Brass CW617N 2 Seals: NBR - NBR - EPDM - FKM - PTFE 3 Armature tube: Stainless steel 4 Fixed and mobile core: Stainless steel AISI 430FR 5 Springs: Stainless steel</p>	<p>Materialien und Komponenten</p> <p>1 Körper: Messing CW617N 2 Dichtung: NBR - NBR - EPDM - FKM - PTFE 3 Führungsrohr: Edelstahl 4 Kern: Edelstahl AISI 430FR 5 Feder: Edelstahl</p>	<p>Materialien und Komponenten</p> <p>1 Körper: Messing CW617N 2 Dichtung: NBR - NBR - EPDM - FKM - PTFE 3 Führungsrohr: Edelstahl 4 Kern: Edelstahl AISI 430FR 5 Feder: Edelstahl</p>	<p>Materialien und Komponenten</p> <p>1 Körper: Messing CW617N 2 Dichtung: NBR - NBR - EPDM - FKM - PTFE 3 Führungsrohr: Edelstahl 4 Kern: Edelstahl AISI 430FR 5 Feder: Edelstahl</p>
FR	Materials y componentes	ES	Materials e Componentes	PT
<p>Matériaux et Composants</p> <p>1 Corps: Laiton CW617N 2 Joints: NBR - NBR - EPDM - FKM - PTFE 3 Tube de pilotage: Acier inox 4 Noyau: Acier inox AISI 430FR 5 Ressort: Acier inox</p>	<p>Materials y componentes</p> <p>1 Cuerpo: Latón CW617N 2 Juntas: NBR - NBR - EPDM - FKM - PTFE 3 Tubo guía: Acero inox 4 Núcleo fijo y móvil: Acero inox AISI 430FR 5 Muelle: Acero inox</p>	<p>Materials e Componentes</p> <p>1 Corpo: Latão CW617N 2 Vedações: NBR - NBR - EPDM - FKM - PTFE 3 Tubo Guia: Aço-inox 4 Núcleo fixo e móvel I: Aço-inox AISI 430FR 5 Mola: Aço-inox</p>	<p>Materials e Componentes</p> <p>1 Corpo: Latão CW617N 2 Vedações: NBR - NBR - EPDM - FKM - PTFE 3 Tubo Guia: Aço-inox 4 Núcleo fixo e móvel I: Aço-inox AISI 430FR 5 Mola: Aço-inox</p>	<p>Materials e Componentes</p> <p>1 Corpo: Latão CW617N 2 Vedações: NBR - NBR - EPDM - FKM - PTFE 3 Tubo Guia: Aço-inox 4 Núcleo fixo e móvel I: Aço-inox AISI 430FR 5 Mola: Aço-inox</p>

Pressione massima ammissibile
 Maximum allowable pressure
 Max. Betriebsdruck
 Pression de service max.
 Presión máxima admisible
 Pressão máxima admissível

100 bar

Tabella compatibilità e materiali
 Compatibility and materials table
 Beständigkeitsübersicht
 Tableau de compatibilité des matériaux
 Tabla de compatibilidad de materiales
 Tabela de compatibilidade química

Pag. 0.21 - 0.22

Valvola e bobina fornite separatamente
 Valve and coil supplied separately
 Ventil und Spule separat erhältlich
 Vanne et bobine fournies séparément
 Válvula y bobina suministradas por separado
 Válvula e bobina fornecidas separadamente

<p>OPZIONI SU RICHIESTA - OPTIONS ON REQUEST - OPTIONEN AUF ANFRAGE - OPTIONS SUR DEMANDE - OPCIONES BAJO PEDIDO - OPÇÕES SOB ENCOMENDA</p> <p>Versione idonea per utilizzo con ossigeno industriale - Version suitable for use with industrial oxygen - Version für industrie sauerstoff Version adaptée à une utilisation avec de l'oxygène industriel - Versión idónea para el uso con oxígeno industrial - Versão adequada para utilização com oxigênio industrial</p> <p>Trattamento superficiale di nichelatura chimica componenti in ottone - Chemical nickel plating treatment for brass components - Chemische vernickelung Messingkomponenten Traitement surface nickelage chimique composants laiton - Tratamiento superficial niquelatura química componentes latón - Tratamento superficial niquelação química componentes latão</p>
--

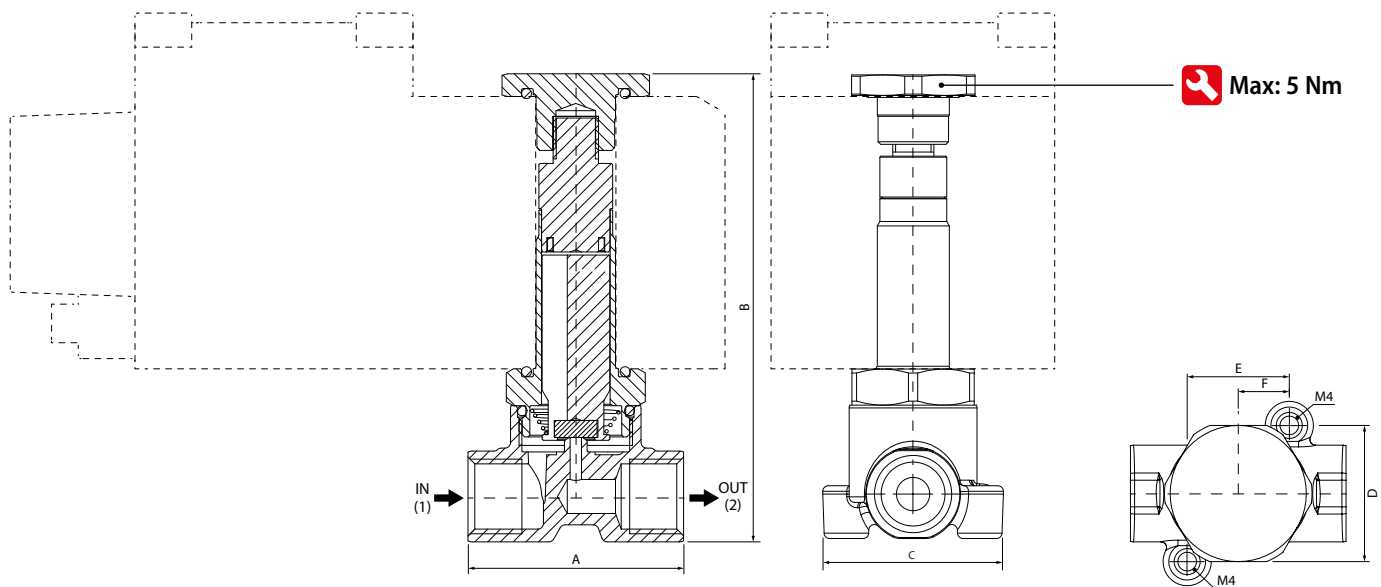
Code	Materiale tenute Sealing materials Dichtungswerkstoffe Matériau joint Material juntas Material das vedações	Conessioni Port size Verbindungen Connexions Conexiones Conexões	Ø Orifizio Ø Orifice Ø Dn Ø Passage Ø Orificio Ø Orificio	Viscosità Viscosity Viskosität Viscosité Viscosidad Viscosidade	Kv	Pressione differenziale (OPD) Differential pressure (OPD) Differenzdruck (OPD) Pression différentielle (OPD) Presión diferencial (OPD) Pressão diferencial (OPD)			Potenza Power Leistung Puissance Potencia Potência		Bobine Coils Spulen Bobines Bobinas Bobinas	
						Bar	DC	AC	W	VA	Size mm	Serie Y - pag. 19.8
①	①	ISO 228	mm	cSt	m ³ /h	Min	Max DC	Max AC				
02A 03 1 01 _ 0	N = NBR -10°C +90°C F = NBR ❄️ -40°C +90°C V = FKM -10°C +140°C E = EPDM -10°C +140°C P = PTFE -40°C +180°C	1/4"	1	25	0.04	0	100	100	8	12	50	Y - SOLY0
02A 03 1 15 _ 0			1.5	25	0.06	0	50	50	8	12	50	Y - SOLY0
02A 03 1 02 _ 0			2	37	0.10	0	35	35	8	12	50	Y - SOLY0
02A 03 1 25 _ 0			2.5	53	0.15	0	21	21	8	12	50	Y - SOLY0
02A 03 1 03 _ 0			3	53	0.21	0	10	10	8	12	50	Y - SOLY0
02A 03 1 04 _ 0			4	53	0.35	0	3	3	8	12	50	Y - SOLY0
02A 03 1 05 _ 0			5	53	0.51	0	1.4	1.4	8	12	50	Y - SOLY0
02A 03 1 64 _ 0			6.4	53	0.65	0	1	1	8	12	50	Y - SOLY0

① **Selezionare tenuta** - Select seal material - Wählen Sie das Dichtungsmaterial aus - Sélectionner matériau d'étanchéité - Seleccionar material sellado - Seleccionar material de vedação

EPDM - P max = 2.5 bar / PTFE - P max = 10 bar: Con vapore - With steam - Mit Dampf - Avec vapeur - Con vapor - Com vapor

PTFE = max 300 cm³/h: Perdita ammessa - Allowable leakage - Zulässige leakage - Fuite admissible - Fuga permitida - Vazamento permitido

Bobina non inclusa - Coil not included - Magnetspulen separat - Bobines non incluse - Bobina no incluida - Bobinas não incluídas



Size	A	B	C	D	E	F
1/4"	38	83	32.5	24	18	19

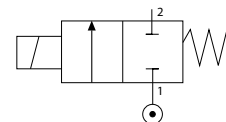
SERIE 02A - ATEX

ELETTROVALVOLE AD AZIONAMENTO DIRETTO CON CORPO IN OTTONE PER BOBINA ATEX "SERIE Y"

DIRECT ACTING SOLENOID VALVES WITH BRASS BODY FOR "SERIES Y" ATEX COIL
 MAGNETVENTILE MIT DIREKTER BETÄTIGUNG MIT MESSINGGEHÄUSE FÜR SPULE ATEX "Y-SERIE"
 ELECTROVANNES À COMMANDE DIRECTE AVEC CORPS EN LAITON POUR BOBINE ATEX "SERIE Y"
 ELECTROVÁLVULAS DE ACCIONAMIENTO DIRECTO CON CUERPO DE LATÓN PARA BOBINA ATEX "SERIE Y"
 ELETTROVÁLVULAS DE ACIONAMENTO DIRETO COM CORPO DE LATÃO PARA BOBINA ATEX "SERIE Y"

2/2 NC

3/8" - 1/2"



**II 2 G/D
Ex d, Ex tb
IP66**

Bobine certificate ATEX
ATEX certified coils
ATEX zertifizierte spule
Bobine certifiées ATEX
Bobina con certificación ATEX
Bobina certificadas ATEX

Materiali e Componenti	IT	Materials and Components	GB	Materialien und Komponenten	DE
1 Corpo: Ottone CW614N 2 Tenute: NBR - NBR - EPDM - FKM - PTFE 3 Tubo guida: Acciaio Inox 4 Nucleo fisso e mobile: Acciaio Inox AISI 430FR 5 Molle: Acciaio Inox		1 Body: Brass CW614N 2 Seals: NBR - NBR - EPDM - FKM - PTFE 3 Armature tube: Stainless steel 4 Fixed and mobile core: Stainless steel AISI 430FR 5 Springs: Stainless steel		1 Körper: Messing CW614N 2 Dichtung: NBR - NBR - EPDM - FKM - PTFE 3 Führungsrohr: Edelstahl 4 Kern: Edelstahl AISI 430FR 5 Feder: Edelstahl	
1 Corps: Laiton CW614N 2 Joints: NBR - NBR - EPDM - FKM - PTFE 3 Tube de pilotage: Acier inox 4 Noyau: Acier inox AISI 430FR 5 Ressort: Acier inox		1 Cuerpo: Latón CW614N 2 Juntas: NBR - NBR - EPDM - FKM - PTFE 3 Tubo guía: Acero inox 4 Núcleo fijo y móvil: Acero inox AISI 430FR 5 Muelle: Acero inox		1 Corpo: Latão CW614N 2 Vedações: NBR - NBR - EPDM - FKM - PTFE 3 Tubo Guia: Aço-inox 4 Núcleo fixo e móvel I: Aço-inox AISI 430FR 5 Mola: Aço-inox	

Pressione massima ammissibile
Maximum allowable pressure
Max. Betriebsdruck
Pression de service max.
Presión máxima admisible
Pressão máxima admissível

50 bar

Tabella compatibilità e materiali
Compatibility and materials table
Beständigkeitsübersicht
Tableau de compatibilité des matériaux
Tabla de compatibilidad de materiales
Tabela de compatibilidade química

Pag. 0.21 - 0.22

Valvola e bobina fornite separatamente
Valve and coil supplied separately
Ventil und Spule separat erhältlich
Vanne et bobine fournies séparément
Válvula y bobina suministradas por separado
Válvula e bobina fornecidas separadamente

OPZIONI SU RICHIESTA - OPTIONS ON REQUEST - OPTIONEN AUF ANFRAGE - OPTIONS SUR DEMANDE - OPCIONES BAJO PEDIDO - OPÇÕES SOB ENCOMENDA
Versione idonea per utilizzo con ossigeno industriale - Version suitable for use with industrial oxygen - Version für industrie sauerstoff Version adaptée à une utilisation avec de l'oxygène industriel - Versión idónea para el uso con oxígeno industrial - Versão adequada para utilização com oxigênio industrial
Trattamento superficiale di nichelatura chimica componenti in ottone - Chemical nickel plating treatment for brass components - Chemische vernickelung Messingkomponenten Traitement surface nickelage chimique composants laiton - Tratamiento superficial níquelatura química componentes latón - Tratamento superficial níquelção química componentes latão

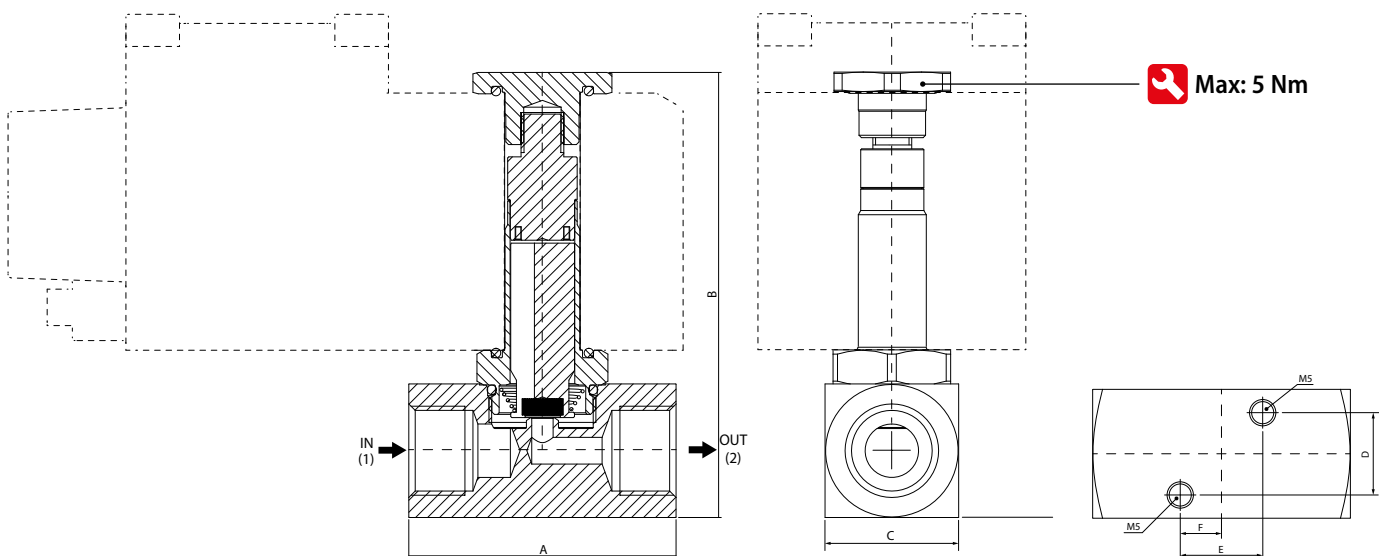
Code	Materiale tenute Sealing materials Dichtungswerkstoffe Matériau joint Material juntas Material das vedações	Conessioni Port size Verbindungen Connexions Conexiones Conexões	Ø Orifizio Ø Orifice Ø Dn Ø Passage Ø Orificio Ø Orifício	Viscosità Viscosity Viskosität Viscosité Viscosidad Viscosidade	Kv	Pressione differenziale (OPD) Differential pressure (OPD) Differenzdruck (OPD) Pression différentielle (OPD) Presión diferencial (OPD) Pressão diferencial (OPD)			Potenza Power Leistung Puissance Potencia Potência		Bobine Coils Spulen Bobines Bobinas Bobinas	
						Bar			DC	AC	Size	Serie
①	①	ISO 228	mm	cSt	m ³ /h	Min	Max DC	Max AC	W	VA	mm	Y - pag. 19,8
02A 04 1 03 _ 0	N = NBR -10°C +90°C F = NBR ❄️ -40°C +90°C V = FKM -10°C +140°C	3/8"	3	53	0.21	0	10	10	8	12	50	Y - SOLY0
02A 04 1 04 _ 0			4	53	0.35	0	3	3	8	12	50	Y - SOLY0
02A 04 1 05 _ 0			5	53	0.51	0	1.4	1.4	8	12	50	Y - SOLY0
02A 04 1 64 _ 0			6.4	53	0.65	0	1	1	8	12	50	Y - SOLY0
02A 05 1 03 _ 0	E = EPDM -10°C +140°C P = PTFE -40°C +180°C	1/2"	3	53	0.21	0	10	10	8	12	50	Y - SOLY0
02A 05 1 04 _ 0			4	53	0.35	0	3	3	8	12	50	Y - SOLY0
02A 05 1 05 _ 0			5	53	0.51	0	1.4	1.4	8	12	50	Y - SOLY0
02A 05 1 64 _ 0			6.4	53	0.65	0	1	1	8	12	50	Y - SOLY0

① **Selezionare tenuta** - Select seal material - Wählen Sie das Dichtungsmaterial aus - Sélectionner matériau d'étanchéité - Seleccionar material sellado - Seleccionar material de vedação


EPDM - P max = 2.5 bar / PTFE - P max = 10 bar: Con vapore - With steam - Mit dampf - Avec vapeur - Con vapor - Com vapor

PTFE = max 300 cm³/h: Perdita ammessa - Allowable leakage - Zulässige leakage - Fuite admissible - Fuga permitida - Vazamento permitido

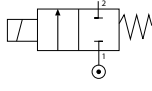
Bobina non inclusa - Coil not included - Magnetspulen separat - Bobines non incluse - Bobina no incluida - Bobinas não incluídas





Size	A	B	C	D	E	F
3/8"	50	84	25	16	16	8
1/2"	58	84	25	16	16	8



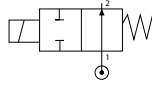
2/2 NC





1/4"
Pag. 6.4

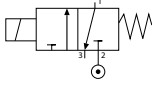
2/2 NO





1/4"
Pag. 6.6

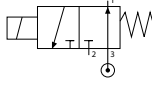
3/2 NC




1/4"
Pag. 6.8

3/2 NO



1/4"
Pag. 6.10




30 mm

Serie C
Pag. 19.5




30 mm

Serie D
Pag. 19.6




36 mm

Serie E
Pag. 19.7




Connectors
Pag. 19.9 / 19.10



ELETTROVALVOLE AD AZIONAMENTO DIRETTO IN ACCIAIO INOX 316L

DIRECT ACTING SOLENOID VALVES IN STAINLESS STEEL 316L

MAGNETVENTILE MIT DIREKTER BETÄTIGUNG EDELSTAHL 316L

ELECTROVANNES A ACTIONNEMENT DIRECT EN ACIER INOX 316L

ELECTROVÁLVULAS DE ACCIONAMIENTO DIRECTO EN ACERO INOX 316L

ELETROVÁLVULAS DE ACIONAMENTO DIRETO EM AÇO-INOX 316L

AISI 316L

Ex
II 2 G/D Ex h

C **UL** **US**
CSA C22.2



Serie X2F

X2F

Le elettrovalvole serie X2F - azionamento diretto con corpo filettato in acciaio inox 316L - grazie ai materiali utilizzati offrono un'ottima compatibilità sia a contatto con fluidi altamente aggressivi e corrosivi che alimentari, consentendo soluzioni applicative in molteplici settori.

La possibilità di selezionare tre tipologie di bobine (serie C, D, E) aventi diverse taglie e potenze aumentano le prestazioni di queste valvole.

Principali vantaggi

- Contatto con fluidi alimentari, aggressivi e corrosivi
- Idonee per ambienti corrosivi
- Conessioni 1/4"
- Pressioni di lavoro fino a 50 bar
- Ampia selezione dei materiali di tenuta
- Guarnizioni certificate FDA e conformi NSF51
- Possibilità di esecuzioni speciali con raccordi Aignep
- Grado di protezione IP67 con connettore e kit antiumidità

Applicazioni

- Acqua, Oli, Liquidi neutri e corrosivi
- Aria, Gas inerti e aggressivi, Vuoto
- Industria alimentare, Misting
- Processi industriali, Metallurgia
- Ossigeno, Vapore, Medica, Sterilizzatori
- Industria Chimica e Petrochimica

The X2F series solenoid valves - direct acting with 316L stainless steel threaded body - thanks to the materials used, offer excellent compatibility both in contact with highly aggressive and corrosive fluids and with food fluids, allowing application solutions in multiple sectors.

The possibility of selecting three types of coils (series C, D, E) having different sizes and powers increases the performance of these valves.

Main advantages

- Contact with food, aggressive and corrosive fluids
- Suitable for corrosive environments
- Connections 1/4"
- Working pressures up to 50 bar
- Wide selection of sealing materials
- FDA certified and NSF51 compliant seals
- Possibility of special executions with Aignep fittings
- IP67 protection degree with connector and anti-humidity kit

Applications

- Water, Oils, Neutral and corrosive liquids
- Air, Inert and aggressive gases, Vacuum
- Food industry, Misting
- Industrial processes, Metallurgy
- Oxygen, Steam, Medical, Sterilizers
- Chemical and Petrochemical industry

Die direktwirkenden Magnetventile der Serie X2F - mit einem Gewindekörper aus Edelstahl (316L) - bieten dank der verwendeten Werkstoffe eine hervorragende Kompatibilität sowohl im Kontakt mit hochaggressiven und korrosiven Flüssigkeiten als auch mit flüssigen Lebensmitteln und ermöglichen so Anwendungslösungen in zahlreichen Bereichen.

Die Möglichkeit, drei Spulentypen (Serie C, D, E) mit unterschiedlichen Größen zu wählen, erhöht die Leistung dieser Ventile.

Vorteile

- Kontakt mit Lebensmitteln, aggressiven und korrosiven Flüssigkeiten
- Geeignet für korrosive Umgebungen
- Anschlüsse 1/4"
- Betriebsdruck bis zu 50 bar
- Große Auswahl an Dichtungsmaterialien
- FDA-zertifizierte und NSF51-konforme Dichtungen
- Möglichkeit von Sonderausführungen mit Aignep-Fittings
- IP67 Schutz mit Anschlussstück und Feuchtigkeitsschutz-Kit

Anwendungen

- Wasser, Öle, neutrale und korrosive Flüssigkeiten
- Luft, inerte und aggressive Gase, Vakuum
- Lebensmittelindustrie, Vernebelung
- Industrielle Prozesse, Metallurgie
- Sauerstoff, Dampf, Medizin, Sterilisatoren
- Chemische und petrochemische Industrie

- Les électrovannes de la série X2F - à commande directe avec corps fileté en acier inoxydable 316L - grâce aux matériaux utilisés, offrent une excellente compatibilité aussi bien au contact de fluides très agressifs et corrosifs qu'avec des fluides alimentaires, permettant des solutions d'application dans de multiples secteurs.

- La possibilité de sélectionner trois types de bobines (séries C, D, E) de tailles et de puissances différentes augmente les performances de ces vannes.

Principaux avantages

- Contact avec des aliments, des fluides agressifs et corrosifs
- Convient aux environnements corrosifs
- Connexions 1/4"
- Pression jusqu'à 50 bar
- Large choix de matériaux d'étanchéité
- Joints certifiés FDA et conformes NSF51
- Possibilité d'exécutions spéciales avec les raccords Aignep
- Degré de protection IP67 avec connecteur et kit anti-humidité

Applications

- Eau, Huiles, Liquides neutres et corrosifs
- Air, Gaz inertes et agressifs, Vide
- Agroalimentaire, Brumisation
- Procédés industriels, Métallurgie
- Oxygène, Vapeur, Médical, Stérilisateurs
- Industrie chimique et pétrochimique

Las electroválvulas de la serie X2F (de accionamiento directo con cuerpo roscado de acero inoxidable 316L) gracias a los materiales utilizados, ofrecen una excelente compatibilidad tanto en contacto con fluidos altamente agresivos y corrosivos como con fluidos alimentarios, permitiendo soluciones de aplicación en múltiples sectores.

La posibilidad de seleccionar tres tipos de bobinas (series C, D, E) de diferentes tamaños y potencias aumenta el rendimiento de estas válvulas.

Principales ventajas

- Contacto con alimentos, fluidos agresivos y corrosivos
- Apto para ambientes corrosivos
- Conexiones 1/4"
- Presiones de trabajo hasta 50 bar
- Amplia selección de materiales de sellado
- Juntas certificadas por FDA y compatibles con NSF51
- Posibilidad de ejecuciones especiales con racores Aignep
- Grado de protección IP67 con conector y kit antihumedad

Aplicaciones

- Agua, Aceites, Líquidos neutros y corrosivos
- Aire, Gases inertes y agresivos, Vacío
- Industria alimentaria, Nebulización
- Procesos Industriales, Metalurgia
- Oxígeno, Vapor, Médico, Esterilizadores
- Industria química y petroquímica

As válvulas solenóides da série X2F - ação direta com corpo roscado em aço inoxidável 316L - graças aos materiais utilizados, oferecem excelente compatibilidade tanto em contato com fluidos altamente agressivos e corrosivos quanto com fluidos alimentícios, permitindo soluções de aplicação em vários setores.

A possibilidade de selecionar três tipos de bobinas (séries C, D, E) com diferentes tamanhos e potências aumenta o desempenho dessas válvulas.

Principais vantagens

- Contato com alimentos, fluidos agressivos e corrosivos
- Adequado para ambientes corrosivos
- Conexões 1/4"
- Pressões de trabalho até 50 bar
- Ampla gama de materiais de vedação
- Certificadas pela FDA e compatíveis com NSF51
- Possibilidade de montagens especiais com conexões Aignep
- Grau de proteção IP67 com conector e kit anti-umidade

Aplicações

- Água, óleos, líquidos neutros e corrosivos
- Ar, gases inertes e agressivos, vácuo
- Indústria alimentícia, nebulização
- Processos Industriais, Metalurgia
- Oxigênio, Vapor, Médico, Esterilizadores
- Indústria química e petroquímica



Caratteristiche generali - X2F	IT	General features - X2F	GB	Eigenschaften - X2F	DE
<ul style="list-style-type: none"> - Posizione di montaggio universale - Kit operatore Ø 13 mm - Certificazione valvole: ATEX II 2G/D Ex h - Bobine: classe H - - CSA C22.2 		<ul style="list-style-type: none"> - Universal mounting position - Operator kit Ø 13 mm - ATEX II 2G/D Ex h certification - Coils: Class H - - CSA C22.2 		<ul style="list-style-type: none"> - Einbaulage universal - Bausatz Ø 13 mm - ATEX II 2G/D Ex h zulassung - Spulenkategorie H - - CSA C22.2 	
Caractéristiques générales - X2F	FR	Características generales - X2F	ES	Características gerais - X2F	PT
<ul style="list-style-type: none"> - Position de montage universelle - Kit Pilote Ø 13 mm - Certification ATEX II 2G/D Ex h - Bobine: classe H - - CSA C22.2 		<ul style="list-style-type: none"> - Posición de montaje universal - Kit operador Ø 13 mm - Certificación ATEX II 2G/D Ex h - Bobinas: clase H - - CSA C22.2 		<ul style="list-style-type: none"> - Posição de montagem universal - Kit do operador Ø 13 mm - Certificação ATEX II 2G/D Ex h - Bobinas: classe H - - CSA C22.2 	



Tabella dei codici di ordinazione

Ordering codes

Bestellschlüssel

Composition de la référence de commande

Tabla para definición de código

Tabela de código de compra

SERIE	Connessione Port size Masse Dimension Tamaño Tamanho	Funzione Functions Funktion Fonctions Función Funções	Orifizio Orifice Dn Passage Orifício Orifício	Materiale guarnizioni Sealing materials Dichtungswerkstoffe Matériaux des joints Material juntas Material das vedações	Versione Version Ausführung Version Versión Versão	Filettatura Thread Gewinde Filetage Rosca Rosca
-------	---	--	--	---	---	--

X	2	F	0	3	1	1	5	N	0	
			03 = 1/4"		1 = 2/2 NC	15 = 1.5 mm		N = NBR	0 = Standard	= Gas
					<i>Normalmente chiusa</i> <i>Normally closed</i> <i>Normalerweise geschlossen</i> <i>Normalement fermée</i> <i>Normalmente cerrada</i> <i>Normalmente fechada</i>	02 = 2 mm		F = NBR		N = NPTF
					2 = 2/2 NO	25 = 2.5 mm		E = EPDM		
					<i>Normalmente aperta</i> <i>Normally open</i> <i>Normalerweise offen</i> <i>Normalement ouvert</i> <i>Normalmente abierta</i> <i>Normalmente aberta</i>	03 = 3 mm		V = FKM		
					3 = 3/2 NC	04 = 4 mm		P = PTFE		
					<i>Normalmente chiusa</i> <i>Normally closed</i> <i>Normalerweise geschlossen</i> <i>Normalement fermée</i> <i>Normalmente cerrada</i> <i>Normalmente fechada</i>	05 = 5 mm				
					4 = 3/2 NO					
					<i>Normalmente aperta</i> <i>Normally open</i> <i>Normalerweise offen</i> <i>Normalement ouvert</i> <i>Normalmente abierta</i> <i>Normalmente aberta</i>					

BOBINE: SERIE C, D, E COILS: SERIES C, D, E SPULEN: SERIES C, D, E BOBINES: SÉRIES C, D, E BOBINAS: SERIES C, D, E BOBINAS: SÉRIES C, D, E	PAG: 19.5 / 19.6 / 19.7 PAG: 19.5 / 19.6 / 19.7 PAG: 19.5 / 19.6 / 19.7 PAG: 19.5 / 19.6 / 19.7 PAG: 19.5 / 19.6 / 19.7 PAG: 19.5 / 19.6 / 19.7	CONNETTORI CONNECTORS STECKER CONNECTEURS CONECTORES CONECTORES	PAG: 19.10 PAG: 19.10 PAG: 19.10 PAG: 19.10 PAG: 19.10 PAG: 19.10
--	---	---	---

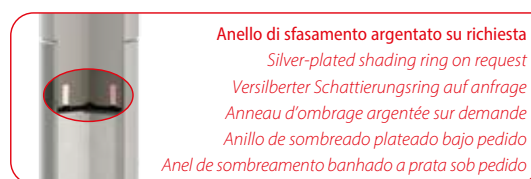
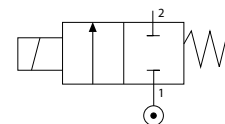
SERIE X2F

ELETTROVALVOLE AD AZIONAMENTO DIRETTO CON CORPO IN ACCIAIO INOX AISI 316L

DIRECT ACTING SOLENOID VALVES WITH BODY IN STAINLESS STEEL AISI 316L
 MAGNETVENTILE MIT DIREKTER BETÄTIGUNG MIT KÖRPER EDELSTAHL AISI 316L
 ELECTROVANNES A ACTIONNEMENT DIRECT AVEC CORPS EN ACIER INOX AISI 316L
 ELECTROVÁLVULAS DE ACCIONAMIENTO DIRECTO CON CUERPO DE ACERO INOX AISI 316L
 ELETRÓVALVULAS DE ACIONAMENTO DIRETO COM CORPO EM AÇO-INOX AISI 316L

2/2 NC

1/4"



Materiali e Componenti	IT	Materials and Components	GB	Materialien und Komponenten	DE
1 Corpo: Acciaio Inox AISI 316L		1 Body: Stainless steel AISI 316L		1 Körper: Edelstahl AISI 316L	
2 Tenute: NBR - NBR - EPDM - FKM - PTFE		2 Seals: NBR - NBR - EPDM - FKM - PTFE		2 Dichtung: NBR - NBR - EPDM - FKM - PTFE	
3 Tubo guida: Acciaio Inox		3 Armature tube: Stainless steel		3 Führungsrohr: Edelstahl	
4 Nucleo fisso e mobile: Acciaio Inox AISI 430FR		4 Fixed and mobile core: Stainless steel AISI 430FR		4 Kern: Edelstahl AISI 430FR	
5 Molle: Acciaio Inox		5 Springs: Stainless steel		5 Feder: Edelstahl	
6 Anello di sfasamento: Rame		6 Shading ring: Copper		6 Schattierung Ring: Kupfer	

Matériaux et Composants	FR	Materiales y componentes	ES	Materialis e Componentes	PT
1 Corps: Acier inox AISI 316L		1 Cuerpo: Acero inox AISI 316L		1 Corpo: AISI 316L	
2 Joints: NBR - NBR - EPDM - FKM - PTFE		2 Juntas: NBR - NBR - EPDM - FKM - PTFE		2 Vedações: NBR - NBR - EPDM - FKM - PTFE	
3 Tube de pilotage: Acier inox		3 Tubo guía: Acero inox		3 Tubo Guia: Aço-inox	
4 Noyau: Acier inox AISI 430FR		4 Núcleo fijo y móvil: Acero inox AISI 430FR		4 Núcleo fixo e móvel I: Aço-inox AISI 430FR	
5 Ressort: Acier inox		5 Muelle: Acero inox		5 Mola: Aço-inox	
6 Anneaux d'ombrage : cuivre		6 Anillo de sombreado: Cobre		6 Anel de sombreamento: Cobre	



Pressione massima ammissibile
 Maximum allowable pressure
 Max. Betriebsdruck
 Pression de service max.
 Presión máxima admisible
 Pressão máxima admissível

50 bar



Tabella compatibilità e materiali
 Compatibility and materials table
 Beständigkeitsübersicht
 Tableau de compatibilité des matériaux
 Tabla de compatibilidad de materiales
 Tabela de compatibilidade química

Pag. 0.21 - 0.22



Temperatura ambiente con bobine in classe H
 Room temperature with coil class H
 Raumtemperatur, mit Spule der Klasse H
 Température ambiante, avec bobine classe H
 Temperatura ambiente con bobina classe H
 Temperatura ambiente com bobina de classe H

**- 10 °C
 + 80 °C**

OPZIONI SU RICHIESTA - OPTIONS ON REQUEST - OPTIONEN AUF ANFRAGE - OPTIONS SUR DEMANDE - OPCIONES BAJO PEDIDO - OPÇÕES SOB ENCOMENDA

Anello di sfasamento argentato - Silver-plated shading ring - Versilberter Schattierungsring
 Anneau d'ombrage argentée - Anillo de sombreado plateado - Anel de sombreamento banhado a prata

Versione idonea per utilizzo con ossigeno industriale - Version suitable for use with industrial oxygen - Version für industrie sauerstoff
 Version adaptée à une utilisation avec de l'oxygène industriel - Versión idónea para el uso con oxígeno industrial - Versão adequada para utilização com oxigênio industrial

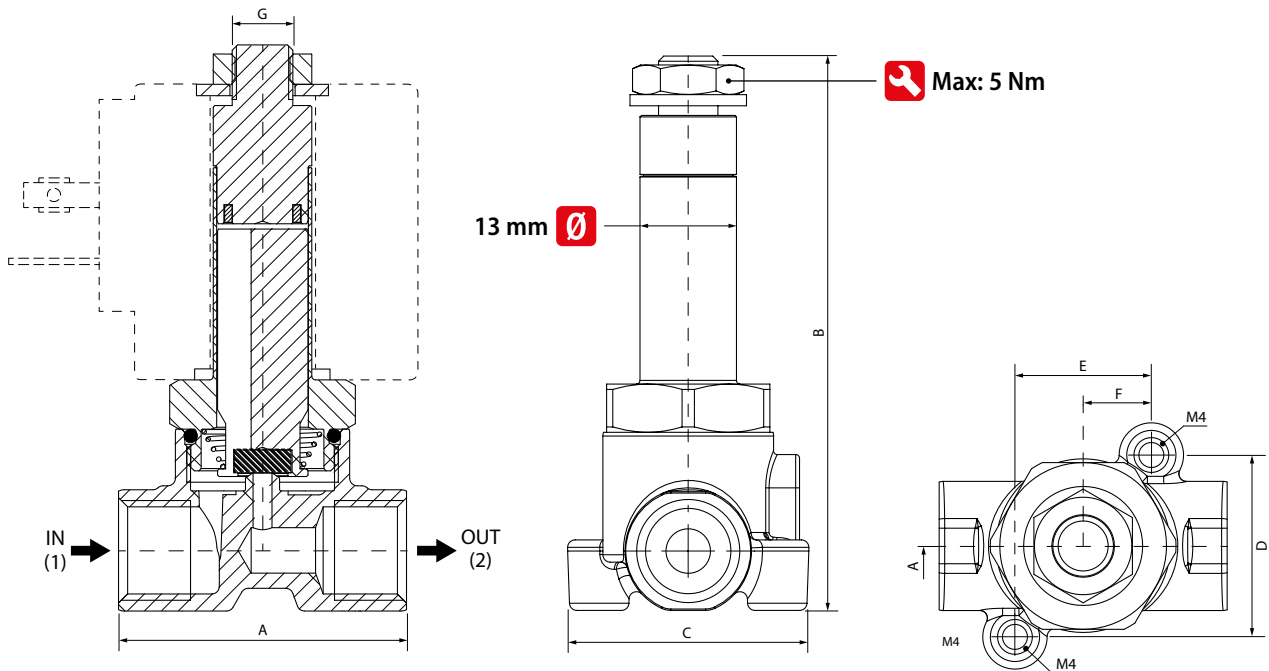
Code	Materiale tenuta Sealing materials Dichtungswerkstoffe Matériau joint Material Juntas Material das vedações	Conessioni Port size Verbindungen Connexions Conexiones Conexões	Ø Orifizio Ø Orifice Ø Dn Ø Passage Ø Orificio Ø Orificio	Viscosità Viscosity Viskosität Viscosité Viscosidad Viscosidade	Kv	Pressione differenziale (OPD) Differential pressure (OPD) Differenzdruck (OPD) Pression différentielle (OPD) Presión diferencial (OPD) Pressão diferencial (OPD)			Potenza Power Leistung Puissance Potencia Potência		Bobine Coils Spulen Bobines Bobinas Bobinas		
						Min	Max DC	Max AC	DC W	AC VA	Size mm	Serie C - pag. 19.5 D - pag. 19.6 E - pag. 19.7	
		ISO 228	mm	cSt	m ³ /h	Bar							
X2F 03 1 15 _ 0	N = NBR -10°C +90°C	1/4"	1.5	25	0.06	0		50	50	8	14	30	C - SOL20
							50	50	14	21	30	D - SOL20	
							50	50	22	31	36	E - SOL21	
X2F 03 1 02 _ 0	F = NBR -40°C +90°C		2	37	0.10	0		35	50	8	14	30	C - SOL20
							50	50	14	21	30	D - SOL20	
							50	50	22	31	36	E - SOL21	
X2F 03 1 25 _ 0	V = FKM -10°C +140°C	2.5	53	0.15	0		21	35	8	14	30	C - SOL20	
						30	40	14	21	30	D - SOL20		
						45	50	22	31	36	E - SOL21		
X2F 03 1 03 _ 0	E = EPDM -10°C +140°C	3	53	0.21	0		10	21	8	14	30	C - SOL20	
						16	30	14	21	30	D - SOL20		
						40	40	22	31	36	E - SOL21		
X2F 03 1 04 _ 0	P = PTFE -40°C +180°C	4	53	0.35	0		3	10	8	14	30	C - SOL20	
						6	14	14	21	30	D - SOL20		
						15	20	22	31	36	E - SOL21		
X2F 03 1 05 _ 0		5	53	0.51	0		1.4	5	8	14	30	C - SOL20	
						2.2	7	14	21	30	D - SOL20		
						5.5	10	22	31	36	E - SOL21		

① Selezionare tenuta - Select seal material - Wählen Sie das Dichtungsmaterial aus - Sélectionner matériau d'étanchéité - Seleccionar material sellado - Seleccionar material de vedação

EPDM - P max = 2.5 bar / PTFE - P max = 10 bar: Con vapore - With steam - Mit dampf - Avec vapeur - Con vapor - Com vapor

PTFE = max 300 cm³/h: Perdita ammessa - Allowable leakage - Zulässige leakage - Fuite admissible - Fuga permitida - Vazamento permitido

Bobina non inclusa - Coil not included - Magnetspulen separat - Bobines non incluse - Bobina no incluida - Bobinas não incluídas



Size	A	B	C	D	E	F	G
1/4"	38	74.7	32.5	24	18	9	M8 x 1

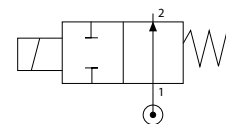
SERIE X2F

ELETTROVALVOLE AD AZIONAMENTO DIRETTO CON CORPO IN ACCIAIO INOX AISI 316L

DIRECT ACTING SOLENOID VALVES WITH BODY IN STAINLESS STEEL AISI 316L
 MAGNETVENTILE MIT DIREKTER BETÄTIGUNG MIT KÖRPER EDELSTAHL AISI 316L
 ELECTROVANNES A ACTIONNEMENT DIRECT AVEC CORPS EN ACIER INOX AISI 316L
 ELECTROVÁLVULAS DE ACCIONAMIENTO DIRECTO CON CUERPO DE ACERO INOX AISI 316L
 ELETRÓVALVULAS DE ACIONAMENTO DIRETO COM CORPO EM AÇO-INOX AISI 316L

2/2 NO

1/4"



Anello di sfasamento argentato su richiesta
 Silver-plated shading ring on request
 Versilberter Schattierungsring auf anfrage
 Anneau d'ombrage argentée sur demande
 Anillo de sombreado plateado bajo pedido
 Anel de sombreamento banhado a prata sob pedido

Materiali e Componenti	IT	Materials and Components	GB	Materialien und Komponenten	DE
1 Corpo: Acciaio Inox AISI 316L 2 Tenute: NBR - EPDM - FKM 3 Tubo guida: Acciaio Inox 4 Nucleo fisso e mobile: Acciaio Inox AISI 430FR 5 Molle: Acciaio Inox 6 Anello di sfasamento: Rame		1 Body: Stainless steel AISI 316L 2 Seals: NBR - EPDM - FKM 3 Armature tube: Stainless steel 4 Fixed and mobile core: Stainless steel AISI 430FR 5 Springs: Stainless steel 6 Shading ring: Copper		1 Körper: Edelstahl AISI 316L 2 Dichtung: NBR, EPDM, FKM 3 Führungsrohr: Edelstahl 4 Kern: Edelstahl AISI 430FR 5 Feder: Edelstahl 6 Schattierung Ring: Kupfer	
Matériaux et Composants	FR	Materiales y componentes	ES	Materialis e Componentes	PT
1 Corps: Acier inox AISI 316L 2 Joints: NBR, EPDM, FKM 3 Tube de pilotage: Acier inox 4 Noyau: Acier inox AISI 430FR 5 Ressort: Acier inox 6 Anneaux d'ombrage : cuivre		1 Cuerpo: Acero inox AISI 316L 2 Juntas: NBR - EPDM - FKM 3 Tubo guía: Acero inox 4 Núcleo fijo y móvil: Acero inox AISI 430FR 5 Muelle: Acero inox 6 Anillo de sombreado: Cobre		1 Corpo: AISI 316L 2 Vedações: NBR, EPDM, FKM 3 Tubo Guia: Aço-inox 4 Núcleo fixo e móvel I: Aço-inox AISI 430FR 5 Mola: Aço-inox 6 Anel de sombreamento: Cobre	



Pressione massima ammissibile
 Maximum allowable pressure
 Max. Betriebsdruck
 Pression de service max.
 Presión máxima admisible
 Pressão máxima admissível

50 bar



Tabella compatibilità e materiali
 Compatibility and materials table
 Beständigkeitsübersicht
 Tableau de compatibilité des matériaux
 Tabla de compatibilidad de materiales
 Tabela de compatibilidade química

Pag. 0.21 - 0.22



Temperatura ambiente con bobine in classe H
 Room temperature with coil class H
 Raumtemperatur, mit Spule der Klasse H
 Température ambiante, avec bobine classe H
 Temperatura ambiente con bobina classe H
 Temperatura ambiente com bobina de classe H

**- 10 °C
 + 80 °C**

OPZIONI SU RICHIESTA - OPTIONS ON REQUEST - OPTIONEN AUF ANFRAGE - OPTIONS SUR DEMANDE - OPCIONES BAJO PEDIDO - OPÇÕES SOB ENCOMENDA

Anello di sfasamento argentato - Silver-plated shading ring - Versilberter Schattierungsring
 Anneau d'ombrage argentée - Anillo de sombreado plateado - Anel de sombreamento banhado a prata

Versione idonea per utilizzo con ossigeno industriale - Version suitable for use with industrial oxygen - Version für industrie sauerstoff
 Version adaptée à une utilisation avec de l'oxygène industriel - Versión idónea para el uso con oxígeno industrial - Versão adequada para utilização com oxigênio industrial

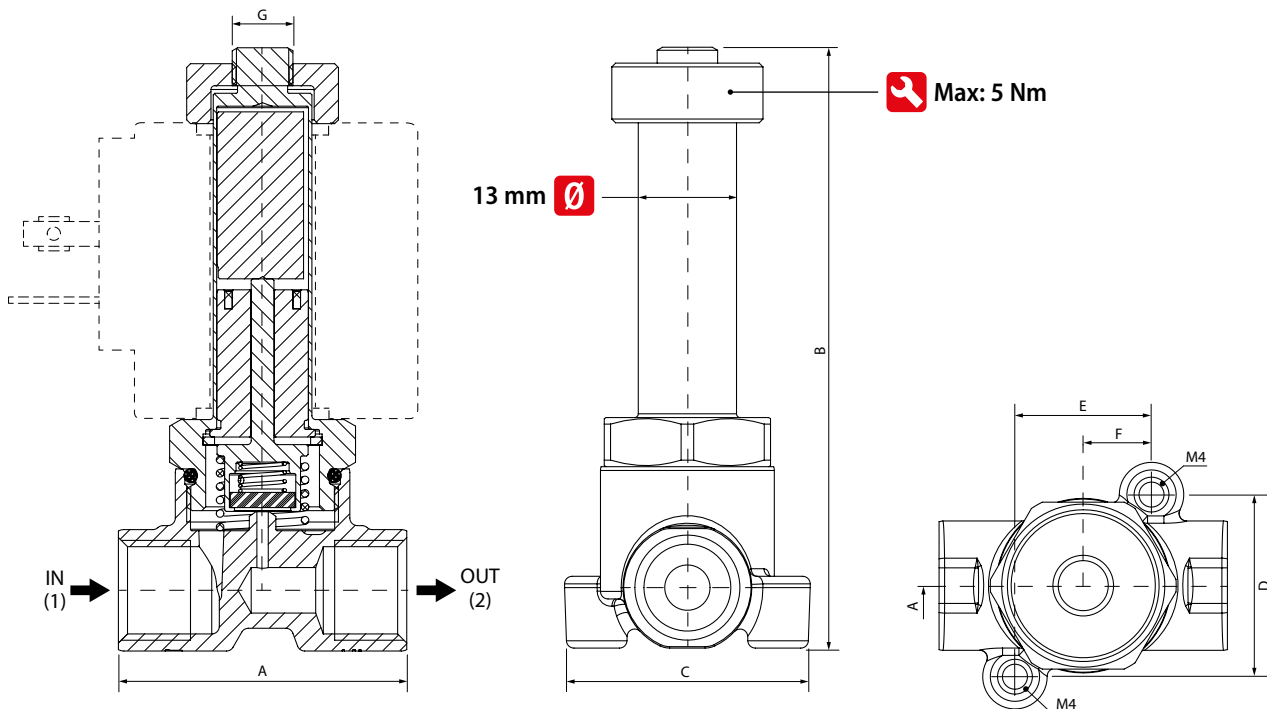
Code	Materiale tenute Sealing materials Dichtungswerkstoffe Matériau joint Material juntas Material das vedações	Conessioni Port size Verbindungen Connexions Conexiones Conexões	Ø Orifizio Ø Orifice Ø Dn Ø Passage Ø Orificio Ø Orificio	Viscosità Viscosity Viskosität Viscosité Viscosidad Viscosidade	Kv	Pressione differenziale (OPD) Differential pressure (OPD) Differenzdruck (OPD) Pression différentielle (OPD) Presión diferencial (OPD) Pressão diferencial (OPD)						
						Min	Max DC	Max AC				
		ISO 228	mm	cSt	m³/h	Bar						
X2F 03 2 15 _ 0	N = NBR -10°C +90°C V = FKM -10°C +140°C E = EPDM -10°C +140°C	1/4"	1.5	25	0.06	0	-	25				
X2F 03 2 02 _ 0							2	37	0.10	0	-	18
X2F 03 2 25 _ 0											2.5	53
X2F 03 2 03 _ 0							3	53	0.21	0		
X2F 03 2 04 _ 0											4	53
X2F 03 2 05 _ 0							5	53	0.51	0		

Potenza Power Leistung Puissance Potencia		Bobine Coils Spulen Bobines Bobinas	
DC	AC	Size	Serie
W	VA	mm	C - pag. 19.5 D - pag. 19.6 E - pag. 19.7
-	14	30	C - SOL20
14	21	30	D - SOL20
22	31	36	E - SOL21
-	14	30	C - SOL20
14	21	30	D - SOL20
22	31	36	E - SOL21
-	14	30	C - SOL20
14	21	30	D - SOL20
22	31	36	E - SOL21
-	14	30	C - SOL20
14	21	30	D - SOL20
22	31	36	E - SOL21
-	14	30	C - SOL20
14	21	30	D - SOL20
22	31	36	E - SOL21

① Selezionare tenuta - Select seal material - Wählen Sie das Dichtungsmaterial aus - Sélectionner matériau d'étanchéité - Seleccionar material sellado - Seleccionar material de vedação

EPDM - P max= 2.5 bar: Con vapore - With steam - Mit dampf - Avec vapeur - Con vapor - Com vapor

Bobina non inclusa - Coil not included - Magnetspulen separat - Bobines non incluse - Bobina no incluida - Bobinas não incluidas



Size	A	B	C	D	E	F	G
1/4"	38	79.5	32.5	24	18	9	M8 x 1

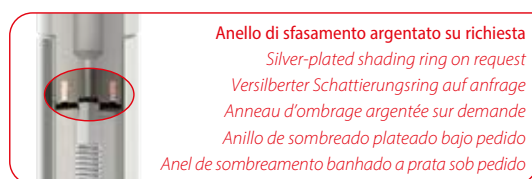
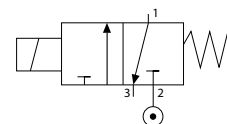
SERIE X2F

ELETTROVALVOLE AD AZIONAMENTO DIRETTO CON CORPO IN ACCIAIO INOX AISI 316L

DIRECT ACTING SOLENOID VALVES WITH BODY IN STAINLESS STEEL AISI 316L
 MAGNETVENTILE MIT DIREKTER BETÄTIGUNG MIT KÖRPER EDELSTAHL AISI 316L
 ELECTROVANNES A ACTIONNEMENT DIRECT AVEC CORPS EN ACIER INOX AISI 316L
 ELECTROVÁLVULAS DE ACCIONAMIENTO DIRECTO CON CUERPO DE ACERO INOX AISI 316L
 ELETTROVÁLVULAS DE ACIONAMENTO DIRETO COM CORPO EM AÇO-INOX AISI 316L

3/2 NC

1/4"



Anello di sfasamento argentato su richiesta
 Silver-plated shading ring on request
 Versilberter Schattierungsring auf anfrage
 Anneau d'ombrage argentée sur demande
 Anillo de sombreado plateado bajo pedido
 Anel de sombreado banhado a prata sob pedido

Materiali e Componenti	IT	Materials and Components	GB	Materialien und Komponenten	DE
1 Corpo: Acciaio Inox AISI 316L 2 Tenute: NBR - EPDM - FKM 3 Tubo guida: Acciaio Inox 4 Nucleo fisso e mobile: Acciaio Inox AISI 430FR 5 Molle: Acciaio Inox 6 Anello di sfasamento: Rame		1 Body: Stainless steel AISI 316L 2 Seals: NBR - EPDM - FKM 3 Armature tube: Stainless steel 4 Fixed and mobile core: Stainless steel AISI 430FR 5 Springs: Stainless steel 6 Shading ring: Copper		1 Körper: Edelstahl AISI 316L 2 Dichtung: NBR, EPDM, FKM 3 Führungsrohr: Edelstahl 4 Kern: Edelstahl AISI 430FR 5 Feder: Edelstahl 6 Schattierung Ring: Kupfer	
Matériaux et Composants	FR	Materiales y componentes	ES	Materialis e Componentes	PT
1 Corps: Acier inox AISI 316L 2 Joints: NBR, EPDM, FKM 3 Tube de pilotage: Acier inox 4 Noyau: Acier inox AISI 430FR 5 Ressort: Acier inox 6 Anneaux d'ombrage : cuivre		1 Cuerpo: Acero inox AISI 316L 2 Juntas: NBR - EPDM - FKM 3 Tubo guía: Acero inox 4 Núcleo fijo y móvil: Acero inox AISI 430FR 5 Muelle: Acero inox 6 Anillo de sombreado: Cobre		1 Corpo: AISI 316L 2 Vedações: NBR, EPDM, FKM 3 Tubo Guia: Aço-inox 4 Núcleo fixo e móvel I: Aço-inox AISI 430FR 5 Mola: Aço-inox 6 Anel de sombreado: Cobre	



Pressione massima ammissibile
 Maximum allowable pressure
 Max. Betriebsdruck
 Pression de service max.
 Presión máxima admisible
 Pressão máxima admissível

50 bar



Tabella compatibilità e materiali
 Compatibility and materials table
 Beständigkeitsübersicht
 Tableau de compatibilité des matériaux
 Tabla de compatibilidad de materiales
 Tabela de compatibilidade química

Pag. 0.21 - 0.22



Temperatura ambiente con bobine in classe H
 Room temperature with coil class H
 Raumtemperatur, mit Spule der Klasse H
 Température ambiante, avec bobine classe H
 Temperatura ambiente con bobina classe H
 Temperatura ambiente com bobina de classe H

**- 10 °C
 + 80 °C**

OPZIONI SU RICHIESTA - OPTIONS ON REQUEST - OPTIONEN AUF ANFRAGE - OPTIONS SUR DEMANDE - OPCIONES BAJO PEDIDO - OPÇÕES SOB ENCOMENDA

Anello di sfasamento argentato - Silver-plated shading ring - Versilberter Schattierungsring
 Anneau d'ombrage argentée - Anillo de sombreado plateado - Anel de sombreado banhado a prata

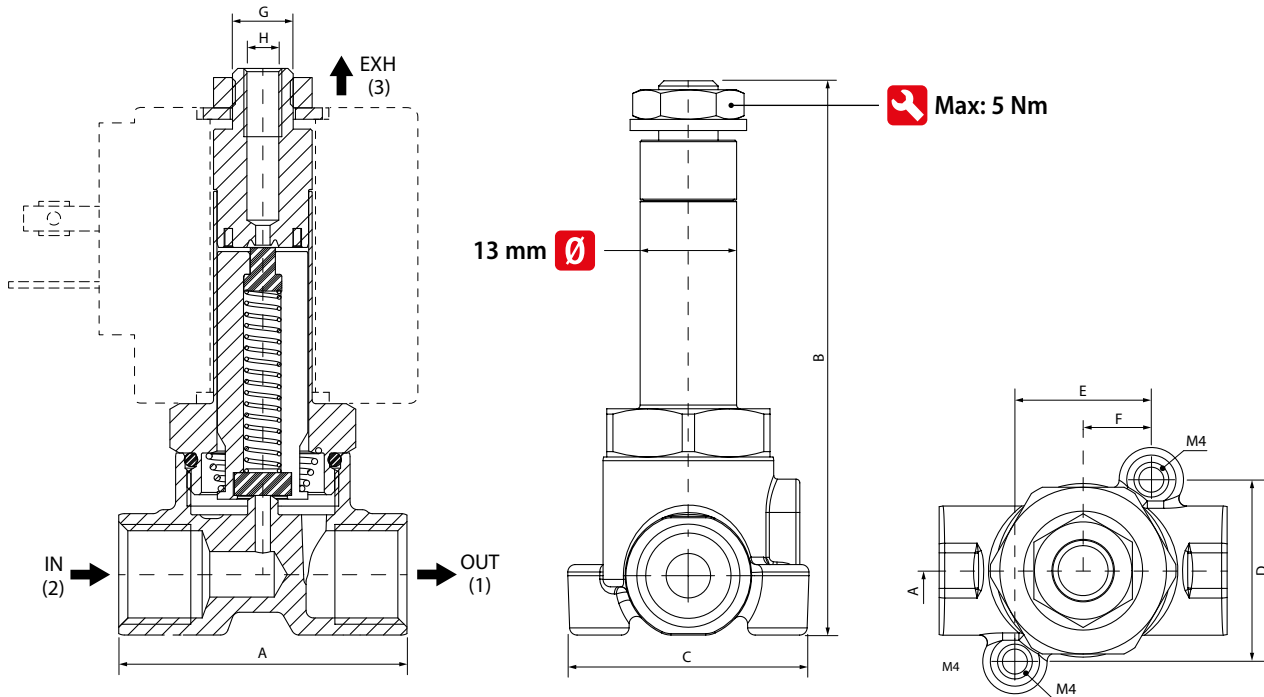
Versione idonea per utilizzo con ossigeno industriale - Version suitable for use with industrial oxygen - Version für industrie sauerstoff
 Version adaptée à une utilisation avec de l'oxygène industriel - Versión idónea para el uso con oxígeno industrial - Versão adequada para utilização com oxigênio industrial

Code	Materiale tenute Sealing materials Dichtungswerkstoffe Matériau joint Material juntas Material das vedações	Conessioni Port size Verbindungen Connexions Conexiones Conexões	Ø Orifizio Ø Orifice Ø Dn Ø Passage Ø Orificio Ø Orificio		Viscosità Viscosity Viskosität Viscosité Viscosidad Viscosidade	Kv	Pressione differenziale (OPD) Differential pressure (OPD) Differenzdruck (OPD) Pression différentielle (OPD) Presión diferencial (OPD) Pressão diferencial (OPD)			Potenza Power Leistung Puissance Potencia		Bobine Coils Spulen Bobines Bobinas Bobinas		
			mm	mm			cSt	m ³ /h	m ³ /h	Bar	Bar	Bar	DC	AC
X2F 03 3 15_0	①	ISO 228	IN	EXH	25	0.06	0.10	0	Max DC	Max AC	25	25	30	C - SOL20
			1.5	1.9					25	25				
X2F 03 3 02_0	①	1/4"	IN	EXH	37	0.10	0.10	0	Max DC	Max AC	18	18	30	C - SOL20
			2	1.9					18	18				
X2F 03 3 25_0	①	1/4"	IN	EXH	37	0.15	0.10	0	Max DC	Max AC	13	13	30	C - SOL20
			2.5	1.9					13	13				
X2F 03 3 03_0	①	1/4"	IN	EXH	37	0.21	0.10	0	Max DC	Max AC	10	10	30	C - SOL20
			3	1.9					10	10				
X2F 03 3 04_0	①	1/4"	IN	EXH	37	0.35	0.10	0	Max DC	Max AC	6	6	30	C - SOL20
			4	1.9					6	6				
X2F 03 3 05_0	①	1/4"	IN	EXH	37	0.51	0.10	0	Max DC	Max AC	3	3	30	C - SOL20
			5	1.9					3	3				

① Selezionare tenuta - Select seal material - Wählen Sie das Dichtungsmaterial aus - Sélectionner matériau d'étanchéité - Seleccionar material sellado - Seleccionar material de vedação

EPDM - P max= 2.5 bar: Con vapore - With steam - Mit dampf - Avec vapeur - Con vapor - Com vapor

Bobina non inclusa - Coil not included - Magnetspulen separat - Bobines non incluse - Bobina no incluida - Bobinas não incluidas



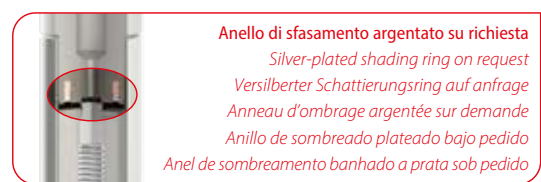
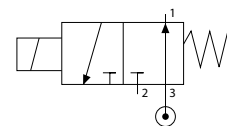
Size	A	B	C	D	E	F	G	H
1/4"	38	74.7	32.5	24	18	9	M8 x 1	M5

SERIE X2F

ELETTROVALVOLE AD AZIONAMENTO DIRETTO CON CORPO IN ACCIAIO INOX AISI 316L

DIRECT ACTING SOLENOID VALVES WITH BODY IN STAINLESS STEEL AISI 316L
 MAGNETVENTILE MIT DIREKTER BETÄTIGUNG MIT KÖRPER EDELSTAHL AISI 316L
 ELECTROVANNES A ACTIONNEMENT DIRECT AVEC CORPS EN ACIER INOX AISI 316L
 ELECTROVÁLVULAS DE ACCIONAMIENTO DIRECTO CON CUERPO DE ACERO INOX AISI 316L
 ELETTROVÁLVULAS DE ACIONAMENTO DIRETO COM CORPO EM AÇO-INOX AISI 316L

3/2 NO **1/4"**



Anello di sfasamento argentato su richiesta
 Silver-plated shading ring on request
 Versilberter Schattierungsring auf anfrage
 Anneau d'ombrage argentée sur demande
 Anillo de sombreado plateado bajo pedido
 Anel de sombreado banhado a prata sob pedido

Materiali e Componenti	IT	Materials and Components	GB	Materialien und Komponenten	DE
1 Corpo: Acciaio Inox AISI 316L 2 Tenute: NBR - EPDM - FKM 3 Tubo guida: Acciaio Inox 4 Nucleo fisso e mobile: Acciaio Inox AISI 430FR 5 Molle: Acciaio Inox 6 Anello di sfasamento: Rame		1 Body: Stainless steel AISI 316L 2 Seals: NBR - EPDM - FKM 3 Armature tube: Stainless steel 4 Fixed and mobile core: Stainless steel AISI 430FR 5 Springs: Stainless steel 6 Shading ring: Copper		1 Körper: Edelstahl AISI 316L 2 Dichtung: NBR, EPDM, FKM 3 Führungsrohr: Edelstahl 4 Kern: Edelstahl AISI 430FR 5 Feder: Edelstahl 6 Schattierung Ring: Kupfer	
Matériaux et Composants	FR	Materiales y componentes	ES	Materialis e Componentes	PT
1 Corps: Acier inox AISI 316L 2 Joints: NBR, EPDM, FKM 3 Tube de pilotage: Acier inox 4 Noyau: Acier inox AISI 430FR 5 Ressort: Acier inox 6 Anneaux d'ombrage : cuivre		1 Cuerpo: Acero inox AISI 316L 2 Juntas: NBR - EPDM - FKM 3 Tubo guía: Acero inox 4 Núcleo fijo y móvil: Acero inox AISI 430FR 5 Muelle: Acero inox 6 Anillo de sombreado: Cobre		1 Corpo: AISI 316L 2 Vedações: NBR, EPDM, FKM 3 Tubo Guia: Aço-inox 4 Núcleo fixo e móvel I: Aço-inox AISI 430FR 5 Mola: Aço-inox 6 Anel de sombreado: Cobre	



Pressione massima ammissibile
 Maximum allowable pressure
 Max. Betriebsdruck
 Pression de service max.
 Presión máxima admisible
 Pressão máxima admissível

50 bar



Tabella compatibilità e materiali
 Compatibility and materials table
 Beständigkeitsübersicht
 Tableau de compatibilité des matériaux
 Tabla de compatibilidad de materiales
 Tabela de compatibilidade química

Pag. 0.21 - 0.22



Temperatura ambiente con bobine in classe H
 Room temperature with coil class H
 Raumtemperatur, mit Spule der Klasse H
 Température ambiante, avec bobine classe H
 Temperatura ambiente con bobina classe H
 Temperatura ambiente com bobina de classe H

**- 10 °C
 + 80 °C**

OPZIONI SU RICHIESTA - OPTIONS ON REQUEST - OPTIONEN AUF ANFRAGE - OPTIONS SUR DEMANDE - OPCIONES BAJO PEDIDO - OPÇÕES SOB ENCOMENDA

Anello di sfasamento argentato - Silver-plated shading ring - Versilberter Schattierungsring
 Anneau d'ombrage argentée - Anillo de sombreado plateado - Anel de sombreado banhado a prata

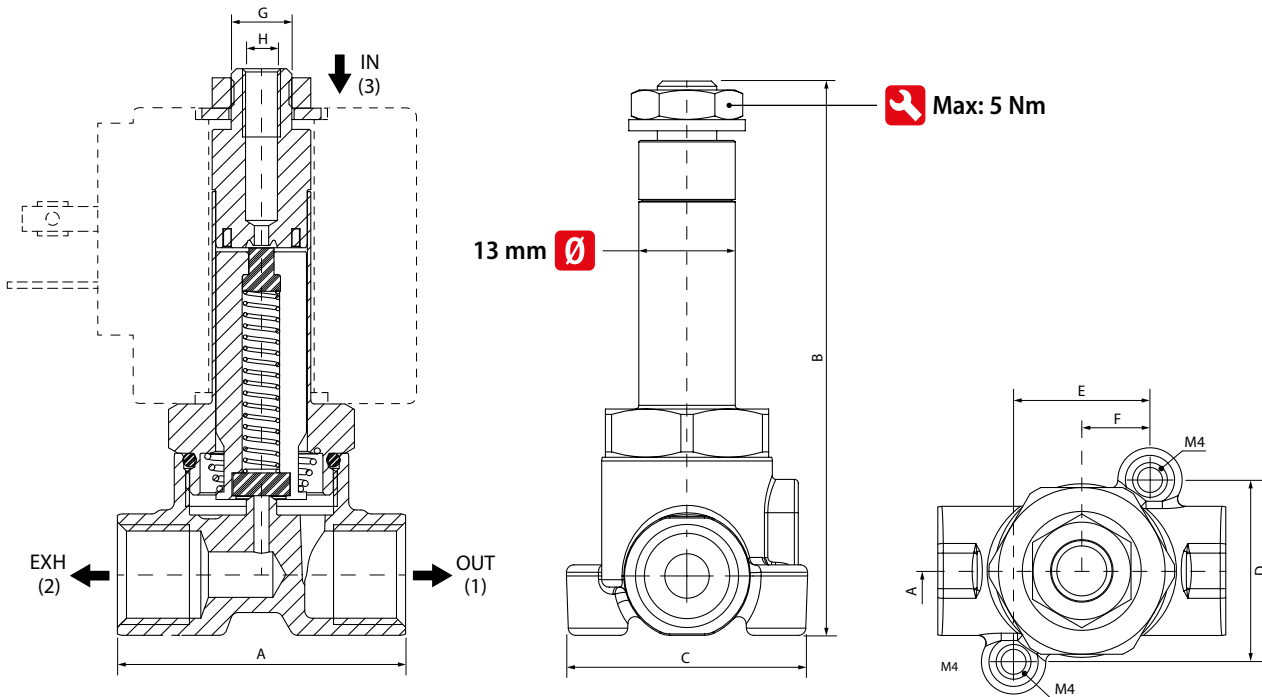
Versione idonea per utilizzo con ossigeno industriale - Version suitable for use with industrial oxygen - Version für industrie sauerstoff
 Version adaptée à une utilisation avec de l'oxygène industriel - Versión idónea para el uso con oxígeno industrial - Versão adequada para utilização com oxigênio industrial

Code	Materiale tenute Sealing materials Dichtungswerkstoffe Matériau joint Material juntas Material das vedações	Conessioni Port size Verbindungen Connexions Conexiones Conexões	Ø Orifizio Ø Orifice Ø Dn Ø Passage Ø Orificio Ø Orificio		Viscosità Viscosity Viskosität Viscosité Viscosidad Viscosidade	Kv	Pressione differenziale (OPD) Differential pressure (OPD) Differenzdruck (OPD) Pression différentielle (OPD) Presión diferencial (OPD) Pressão diferencial (OPD)			Potenza Power Leistung Puissance Potencia		Bobine Coils Spulen Bobines Bobinas Bobinas		
			mm				cSt	m³/h	Bar			DC	AC	Size
①	①	ISO 228	IN	EXH		IN	EXH	Min	Max DC	Max AC	W	VA	mm	
X2F 03 4 15 _ 0	N = NBR -10°C +90°C V = FKM -10°C +140°C E = EPDM -10°C +140°C	1/4"	1.9	1.5	25	0.10	0.06	0	15	15	8	14	30	C - SOL20
X2F 03 4 02 _ 0			1.9	2	37	0.10	0.10	0	15	15	14	21	30	D - SOL20
X2F 03 4 25 _ 0			1.9	2.5	37	0.10	0.15	0	15	15	22	31	36	E - SOL21
X2F 03 4 03 _ 0			1.9	3	37	0.10	0.21	0	10	15	8	14	30	C - SOL20
X2F 03 4 04 _ 0			1.9	4	37	0.10	0.35	0	15	15	14	21	30	D - SOL20
X2F 03 4 05 _ 0			1.9	5	37	0.10	0.51	0	4	10	8	14	30	C - SOL20
									7	15	14	21	30	D - SOL20
									13	15	22	31	36	E - SOL21
									2	6	8	14	30	C - SOL20
									3	9.5	14	21	30	D - SOL20
									8	12	22	31	36	E - SOL21

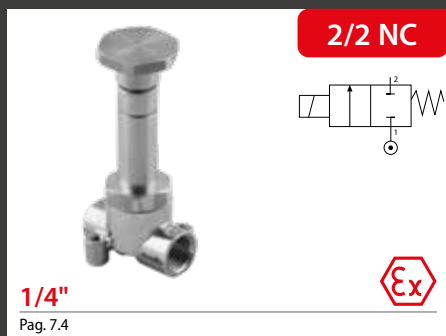
① Selezionare tenuta - Select seal material - Wählen Sie das Dichtungsmaterial aus - Sélectionner matériau d'étanchéité - Seleccionar material sellado - Seleccionar material de vedação

EPDM - P max= 2.5 bar: Con vapore - With steam - Mit dampf - Avec vapeur - Con vapor - Com vapor

Bobina non inclusa - Coil not included - Magnetspulen separat - Bobines non incluse - Bobina no incluida - Bobinas não incluidas



Size	A	B	C	D	E	F	G	H
1/4"	38	74.7	32.5	24	18	9	M8 x 1	M5



**ELETTROVALVOLE AD AZIONAMENTO DIRETTO CON
CORPO IN ACCIAIO INOX 316L PER BOBINA ATEX "SERIE Y"**

*DIRECT ACTING SOLENOID VALVES WITH
STAINLESS STEEL 316L BODY FOR "SERIES Y" ATEX COIL
MAGNETVENTILE MIT DIREKTER BETÄTIGUNG MIT KÖRPER
EDELSTAHL 316L FÜR SPULE ATEX "Y-SERIE"
ELECTROVANNES À COMMANDE DIRECTE AVEC CORPS
EN ACIER INOX 316L POUR BOBINE ATEX "SERIE Y"
ELECTROVÁLVULAS DE ACCIONAMIENTO DIRECTO CON CUERPO
DE ACERO INOX 316L PARA BOBINA ATEX "SERIE Y"
ELETROVÁLVULAS DE ACIONAMENTO DIRETO COM CORPO
EM AÇO-INOX 316L PARA BOBINA ATEX "SERIE Y"*

AISI 316L


II 2 G/D Ex h



Serie X2A - Coil ATEX Ex d

Le elettrovalvole ATEX serie X2A - azionamento diretto con corpo filettato in acciaio inox 316L - disponibili nella sola funzione 2/2 NC, possono essere installate in atmosfere potenzialmente esplosive grazie all'utilizzo esclusivo con la bobina ATEX serie Y avente custodia a prova di esplosione con marcatura Ex d / Ex tb, oltre all'impiego a contatto con fluidi altamente aggressivi e corrosivi.

Anche la parte meccanica (valvola) è certificata ATEX II 2G/D Ex h, a completamento della garanzia del prodotto.

Principali vantaggi

- Installazione in atmosfere potenzialmente esplosive
- Valvola certificata ATEX II 2G/D Ex h
- Bobina certificata ATEX II 2G/D Ex d / Ex tb
- Contatto con fluidi aggressivi e corrosivi
- Connessioni 1/4"
- Pressioni di lavoro fino a 50 bar
- Ampia selezione dei materiali di tenuta
- Possibilità di esecuzioni speciali con raccordi Aignep

Applicazioni

- Industria Chimica e Metallurgica
- Oil & Gas
- Ossigeno e Idrogeno
- Oli, Liquidi neutri e corrosivi
- Gas inerti e aggressivi

The ATEX X2A series solenoid valves – direct acting with 316L stainless steel threaded body – available in the 2/2 NC function only, can be installed in potentially explosive atmospheres thanks to the exclusive use with the ATEX series Y coil having explosion-proof enclosure with marking Ex d / Ex tb, as well as use in contact with highly aggressive and corrosive fluids.

Even the mechanical part (valve) is ATEX II 2G/D Ex h certified, completing the product warranty.

Main advantages

- Installation in potentially explosive atmospheres
- Valve certified ATEX II 2G/D Ex h
- Coil certified ATEX II 2G/D Ex d / Ex tb
- Contact with aggressive and corrosive fluids
- Connections 1/4"
- Working pressures up to 50 bar
- Wide selection of sealing materials
- Possibility of special executions with Aignep fittings

Applications

- Chemical and Metallurgical Industry
- Oil & Gas
- Oxygen and Hydrogen
- Oils, Neutral and corrosive liquids
- Inert and aggressive gases

Die direktwirkenden ATEX-Magnetventile der Serie X2A - mit einem Gewindekörper aus Edelstahl 316L - sind in der Funktion 2/2 NC verfügbar.

Durch die ausschließliche Verwendung der ATEX-Spule Serie Y, mit explosionsgeschütztem Gehäuse und der Kennzeichnung Ex d / Ex tb, sind die Ventile für den Einsatz in explosionsgefährdeten Bereichen sowie dem Kontakt mit aggressiven und korrosiven Flüssigkeiten geeignet.

Auch der mechanische Teil (Ventil) ist nach ATEX II 2G/D Ex h zertifiziert und vervollständigt damit die Produktsicherheit.

Vorteile

- Installation in explosionsgefährdeten Bereichen
- Ventil zertifiziert nach ATEX II 2G/D Ex h
- Spule zertifiziert nach ATEX II 2G/D Ex d / Ex tb
- Kontakt mit aggressiven und korrosiven Fluiden
- Anschlüsse 1/4"
- Betriebsdruck bis zu 50 bar
- Große Auswahl an Dichtungsmaterialien
- Möglichkeit von Sonderausführungen mit Aignep-Fittings

Anwendungen

- Chemische und metallurgische Industrie
- Öl und Gas
- Sauerstoff und Wasserstoff
- Öle, neutrale und korrosive Flüssigkeiten
- Inerte und aggressive Gase

Les électrovannes série ATEX X2A – à commande directe avec corps fileté en acier inoxydable 316L – disponibles uniquement en fonction 2/2 NF, peuvent être installées dans des atmosphères potentiellement explosives grâce à l'utilisation exclusive de la bobine série ATEX Y à enveloppe antidéflagrante avec marquage Ex d / Ex tb, ainsi que l'utilisation au contact de fluides très agressifs et corrosifs.

La partie mécanique (vanne) est également certifiée ATEX II 2G/D Ex h, complétant ainsi la garantie du produit.

Principaux avantages

- Installation en atmosphères potentiellement explosives
- Vanne certifiée ATEX II 2G/D Ex h
- Bobine certifiée ATEX II 2G/D Ex d / Ex tb
- Contact avec des fluides agressifs et corrosifs
- Connexions 1/4"
- Pression jusqu'à 50 bar
- Large choix de matériaux d'étanchéité
- Possibilité d'exécutions spéciales avec les raccords Aignep

Applications

- Industrie chimique et métallurgique
- Gaz et pétrole
- Oxygène et Hydrogène
- Huiles, Liquides neutres et corrosifs
- Gaz inertes et agressifs

Las electroválvulas serie ATEX X2A - de accionamiento directo con cuerpo roscado de acero inoxidable 316L - disponibles solo en función 2/2 NC, pueden ser instaladas en atmósferas potencialmente explosivas gracias al uso exclusivo con bobina ATEX serie Y con encapsulado antidéflagrante con marcado Ex d/Ex tb, así como su uso en contacto con fluidos altamente agresivos y corrosivos.

Incluso la parte mecánica (válvula) está certificada ATEX II 2G/D Ex h, completando la garantía del producto.

Principales ventajas

- Instalación en atmósferas potencialmente explosivas
- Válvula certificada ATEX II 2G/D Ex h
- Bobina certificada ATEX II 2G/D Ex d / Ex tb
- Contacto con fluidos agresivos y corrosivos
- Conexiones 1/4"
- Presiones de trabajo hasta 50 bar
- Amplia selección de materiales de sellado
- Posibilidad de ejecuciones especiales con racores Aignep

Aplicaciones

- Industria Química y Metalúrgica
- Gas y petróleo
- Oxígeno e Hidrógeno
- Aceites, Líquidos neutros y corrosivos
- Gases inertes y agresivos

As válvulas solenóides ATEX série X2A – ação direta com corpo roscado de aço inoxidável 316L – disponíveis apenas na função 2/2 NC, podem ser instaladas em atmosferas potencialmente explosivas graças ao uso exclusivo com a bobina ATEX série Y com invólucro à prova de explosão com marcação Ex d / Ex tb, bem como uso em contato com fluidos altamente agressivos e corrosivos.

Mesmo a parte mecânica (válvula) possui certificação ATEX II 2G/D Ex h, completando a garantia do produto.

Principais vantagens

- Instalação em atmosferas potencialmente explosivas
- Válvula certificada ATEX II 2G/D Ex h
- Bobina certificada ATEX II 2G/D Ex d / Ex tb
- Contato com fluidos agressivos e corrosivos
- Conexões 1/4"
- Pressões de trabalho até 50 bar
- Ampla gama de materiais de vedação
- Possibilidade de montagens especiais com conexões Aignep

Aplicações

- Indústria Química e Metalúrgica
- Óleo & Gás
- Oxigênio e Hidrogênio
- Óleos, líquidos neutros e corrosivos
- Gases inertes e agressivos



Caratteristiche generali - X2A	IT	General features - X2A	GB	Eigenschaften - X2A	DE
- Posizione di montaggio universale - Certificazione valvola: ATEX II 2G/D Ex h - Certificazione bobina: ATEX II 2G/D Ex d, Ex tb		- Universal mounting position - Valve certification: ATEX II 2G/D Ex h - Coil certification: ATEX II 2G/D Ex d, Ex tb		- Einbaulage universal - Ventilzertifizierung: ATEX II 2G/D Ex h - Spulezertifizierung: ATEX II 2G/D Ex d, Ex tb	
Caractéristiques générales - X2A	FR	Características generales - X2A	ES	Características gerais - X2A	PT
- Position de montage universelle - Certification des vannes: ATEX II 2G/D Ex h - Certification de bobine: ATEX II 2G/D Ex d, Ex tb		- Posición de montaje universal - Certificación de válvula: ATEX II 2G/D Ex h - Certificación de bobina: ATEX II 2G/D Ex d, Ex tb		- Posição de montagem universal - Certificação de válvula: ATEX II 2G/D Ex h - Certificação de bobina: ATEX II 2G/D Ex d, Ex tb	



Tabella dei codici di ordinazione

- Ordering codes
- Bestellschlüssel
- Composition de la référence de commande
- Tabla para definición de código
- Tabela de código de compra

SERIE	Connessione Port size Masse Dimension Tamaño Tamanho	Funzione Fonctions Funktion Fonctions Función Funções	Orifizio Orifice Dn Passage Orifizio Orifício	Materiale guarnizioni Sealing materials Dichtungswerkstoffe Matériaux des joints Material juntas Material das vedações	Versione Version Ausführung Version Versión Versão	Filettatura Thread Gewinde Filetage Rosca Rosca
-------	---	--	--	---	---	--

X	2	A	0	3	1	1	5	N	0				
		03 = 1/4"		1 = 2/2 NC		15 = 1.5 mm		N = NBR		0 = Standard		= Gas	
				Normalmente chiusa <i>Normally closed</i> <i>Normalerweise geschlossen</i> <i>Normalement fermée</i> <i>Normalmente cerrada</i> <i>Normalmente fechada</i>		02 = 2 mm		F = NBR				N = NPTF	
						25 = 2.5 mm		E = EPDM					
						03 = 3 mm		V = FKM					
						04 = 4 mm		P = PTFE					
						05 = 5 mm							

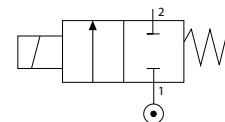
<p>BOBINA: SERIE Y COIL: SERIES Y SPULE: SERIES Y BOBINE: SÉRIES Y BOBINA: SERIES Y BOBINA: SÉRIES Y</p>	<p>PAG: 19.8 PAG: 19.8 PAG: 19.8 PAG: 19.8 PAG: 19.8 PAG: 19.8</p>	
--	--	--

SERIE X2A - ATEX

ELETTROVALVOLE AD AZIONAMENTO DIRETTO CON CORPO IN ACCIAIO INOX 316L PER BOBINA ATEX "SERIE Y"
 DIRECT ACTING SOLENOID VALVES WITH STAINLESS STEEL 316L BODY FOR "SERIES Y" ATEX COIL
 MAGNETVENTILE MIT DIREKTER BETÄTIGUNG MIT KÖRPER EDELSTAHL 316L FÜR SPULE ATEX "Y-SERIE"
 ELECTROVANNES À COMMANDE DIRECTE AVEC CORPS EN ACIER INOX 316L POUR BOBINE ATEX "SERIE Y"
 ELECTROVÁLVULAS DE ACCIONAMIENTO DIRECTO CON CUERPO DE ACERO INOX 316L PARA BOBINA ATEX "SERIE Y"
 ELETRÓVALVULAS DE ACIONAMENTO DIRETO COM CORPO EM AÇO-INOX 316L PARA BOBINA ATEX "SERIE Y"

2/2 NC

1/4"



Anello di sfasamento argentato su richiesta
 Silver-plated shading ring on request
 Versilberter Schattierungsring auf anfrage
 Anneau d'ombrage argentée sur demande
 Anillo de sombreado plateado bajo pedido
 Anel de sombreamento banhado a prata sob pedido

Bobine certificate ATEX
 ATEX certified coils
 ATEX zertifizierte spule
 Bobine certifiées ATEX
 Bobina con certificación ATEX
 Bobina certificadas ATEX

Materiali e Componenti	IT	Materials and Components	GB	Materialien und Komponenten	DE
1 Corpo: Acciaio Inox AISI 316L		1 Body: Stainless steel AISI 316L		1 Körper: Edelstahl AISI 316L	
2 Tenute: NBR - NBR - EPDM - FKM - PTFE		2 Seals: NBR - NBR - EPDM - FKM - PTFE		2 Dichtung: NBR - NBR - EPDM - FKM - PTFE	
3 Tubo guida: Acciaio Inox AISI 316L		3 Armature tube: Stainless steel AISI 316L		3 Führungsrohr: Edelstahl AISI 316L	
4 Nucleo fisso e mobile: Acciaio Inox AISI 430FR		4 Fixed and mobile core: Stainless steel AISI 430FR		4 Kern: Edelstahl AISI 430FR	
5 Molle: Acciaio Inox		5 Springs: Stainless steel		5 Feder: Edelstahl	
6 Anello di sfasamento: Rame		6 Shading ring: Copper		6 Schattierung Ring: Kupfer	

Matériaux et Composants	FR	Materiales y componentes	ES	Materialis e Componentes	PT
1 Corps: Acier inox AISI 316L		1 Cuerpo: Acero inox AISI 316L		1 Corpo: AISI 316L	
2 Joints: NBR - NBR - EPDM - FKM - PTFE		2 Juntas: NBR - NBR - EPDM - FKM - PTFE		2 Vedações: NBR - NBR - EPDM - FKM - PTFE	
3 Tube de pilotage: Acier inox AISI 316L		3 Tubo guía: Acero inox AISI 316L		3 Tubo Guia: Aço-inox AISI 316L	
4 Noyau: Acier inox AISI 430FR		4 Núcleo fijo y móvil: Acero inox AISI 430FR		4 Núcleo fixo e móvel I: Aço-inox AISI 430FR	
5 Ressort: Acier inox		5 Muelle: Acero inox		5 Mola: Aço-inox	
6 Anneaux d'ombrage : cuivre		6 Anillo de sombreado: Cobre		6 Anel de sombreamento: Cobre	

Bar

Pressione massima ammissibile
 Maximum allowable pressure
 Max. Betriebsdruck
 Pression de service max.
 Presión máxima admisible
 Pressão máxima admissível

50 bar

Tabella compatibilità e materiali
 Compatibility and materials table
 Beständigkeitsübersicht
 Tableau de compatibilité des matériaux
 Tabla de compatibilidad de materiales
 Tabela de compatibilidade química

Pag. 0.21 - 0.22

Valvola e bobina fornite separatamente
 Valve and coil supplied separately
 Ventil und Spule separat erhältlich
 Vanne et bobine fournies séparément
 Válvula y bobina suministradas por separado
 Válvula e bobina fornecidas separadamente

<p>OPZIONI SU RICHIESTA - OPTIONS ON REQUEST - OPTIONEN AUF ANFRAGE - OPTIONS SUR DEMANDE - OPCIONES BAJO PEDIDO - OPÇÕES SOB ENCOMENDA</p> <p>Anello di sfasamento argentato - Silver-plated shading ring - Versilberter Schattierungsring Anneau d'ombrage argentée - Anillo de sombreado plateado - Anel de sombreamento banhado a prata</p> <p>Versione idonea per utilizzo con ossigeno industriale - Version suitable for use with industrial oxygen - Version für industrie sauerstoff Version adaptée à une utilisation avec de l'oxygène industriel - Versión idónea para el uso con oxígeno industrial - Versão adequada para utilização com oxigênio industrial</p>

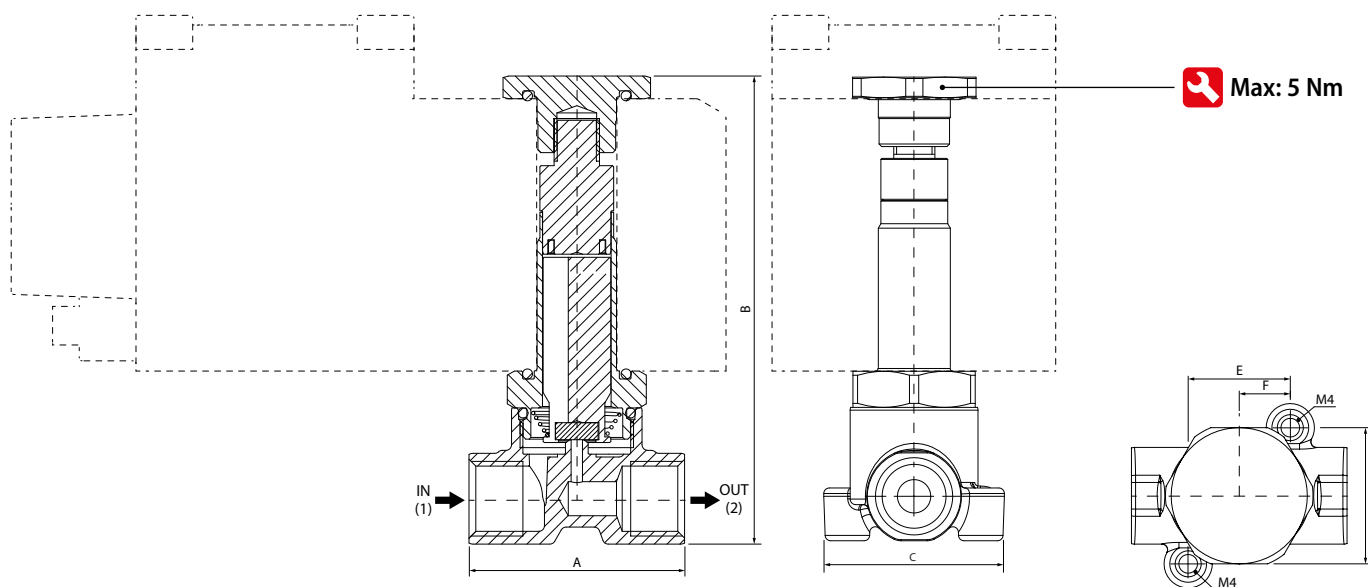
Code	Materiale tenute Sealing materials Dichtungswerkstoffe Matériau joint Material juntas Material das vedações	Conessioni Port size Verbindungen Connexions Conexiones Conexões	Ø Orifizio Ø Orifice Ø Dn Ø Passage Ø Orificio Ø Orificio	Viscosità Viscosity Viskosität Viscosité Viscosidad Viscosidade	Kv	Pressione differenziale (OPD) Differential pressure (OPD) Differenzdruck (OPD) Pression différentielle (OPD) Presión diferencial (OPD) Pressão diferencial (OPD)			Potenza Power Leistung Puissance Potencia		Bobine Coils Spulen Bobines Bobinas Bobinas	
						Min	Max DC	Max AC	DC W	AC VA	Size mm	Serie Y - pag. 19.8
①	①	ISO 228	mm	cSt	m ³ /h	Bar						
X2A 03 1 15 _0	N = NBR -10°C +90°C F = NBR ❄️ -40°C +90°C V = FKM -10°C +140°C E = EPDM -10°C +140°C P = PTFE -40°C +180°C	1/4"	1.5	25	0.06	0	50	50	8	12	50	Y - SOLY0
X2A 03 1 02 _0			2	37	0.10	0	35	35	8	12	50	Y - SOLY0
X2A 03 1 25 _0			2.5	53	0.15	0	21	21	8	12	50	Y - SOLY0
X2A 03 1 03 _0			3	53	0.21	0	10	10	8	12	50	Y - SOLY0
X2A 03 1 04 _0			4	53	0.35	0	3	3	8	12	50	Y - SOLY0
X2A 03 1 05 _0			5	53	0.51	0	1.4	1.4	8	12	50	Y - SOLY0

① Selezionare tenuta - Select seal material - Wählen Sie das Dichtungsmaterial aus - Sélectionner matériau d'étanchéité - Seleccionar material sellado - Seleccionar material de vedação


EPDM - P max = 2.5 bar / PTFE - P max = 10 bar: Con vapore - With steam - Mit dampf - Avec vapeur - Con vapor - Com vapor

PTFE = max 300 cm³/h: Perdita ammessa - Allowable leakage - Zulässige leakage - Fuite admissible - Fuga permitida - Vazamento permitido

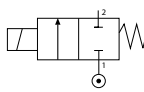
Bobina non inclusa - Coil not included - Magnetspulen separat - Bobines non incluse - Bobina no incluida - Bobinas não incluídas



Size	A	B	C	D	E	F
1/4"	38	83	32.5	24	18	19





2/2 NC

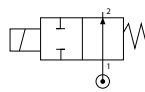


3/8" - 1/2"

Pag. 8.4






2/2 NO



3/8" - 1/2"

Pag. 8.6






3/2 NC

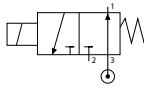


3/8" - 1/2"

Pag. 8.8





3/2 NO



3/8" - 1/2"

Pag. 8.10




30 mm

Serie C

Pag. 19.5




30 mm

Serie D

Pag. 19.6




36 mm

Serie E

Pag. 19.7




Connectors

Pag. 19.9 / 19.10



ELETTROVALVOLE AD AZIONAMENTO DIRETTO IN ACCIAIO INOX 304

DIRECT ACTING SOLENOID VALVES IN STAINLESS STEEL 304

MAGNETVENTILE MIT DIREKTER BETÄTIGUNG EDELSTAHL 304

ELECTROVANNES A ACTIONNEMENT DIRECT EN ACIER INOX 304

ELECTROVÁLVULAS DE ACCIONAMIENTO DIRECTO EN ACERO INOX 304

ELETROVÁLVULAS DE ACIONAMENTO DIRETO EM AÇO-INOX 304

Serie K2F

AISI 304

Ex
II 2 G/D Ex h

UL
C US
CSA C22.2



Le elettrovalvole serie K2F – azionamento diretto con corpo filettato in acciaio inox 304 – completano la gamma di valvole in acciaio con la disponibilità delle taglie 3/8" e 1/2". Grazie ai materiali utilizzati offrono un'ottima compatibilità a contatto con fluidi aggressivi e corrosivi, consentendo soluzioni applicative in molteplici settori.

La scelta di tre tipologie di bobine (serie C, D, E) aventi diverse taglie e potenze aumentano le prestazioni di queste valvole.

Principali vantaggi

- Connessioni 3/8" e 1/2"
- Orifici dal Ø 3.0 mm al Ø 6.4 mm
- Contatto con fluidi alimentari, aggressivi e corrosivi
- Ampia selezione dei materiali di tenuta
- Guarnizioni certificate FDA e conformi NSF51
- Possibilità di esecuzioni speciali con raccordi Aignep
- Grado di protezione IP67 con connettore e kit antiumidità

Applicazioni

- Acqua, Oli, Liquidi neutri e corrosivi
- Aria, Gas inerti e aggressivi, Vuoto
- Industria alimentare
- Processi industriali, Metallurgia
- Ossigeno, Vapore, Medica, Sterilizzatori
- Industria Chimica e Petrochimica

The K2F series solenoid valves – direct acting with 304 stainless steel threaded body – complete the range of steel valves with the availability of the sizes 3/8" and 1/2". Thanks to the materials used, it offer excellent compatibility in contact with aggressive and corrosive fluids, allowing application solutions in many sectors.

The choice of three types of coils (series C, D, E) having different sizes and powers increase the performance of these valves.

Main advantages

- Connections 3/8" & 1/2"
- Orifices from Ø 3.0 mm up to Ø 6.4 mm
- Contact with food, aggressive and corrosive fluids
- Wide selection of sealing materials
- FDA certified and NSF51 compliant seals
- Possibility of special executions with Aignep fittings
- IP67 protection degree with connector and anti-humidity kit

Applications

- Water, Oils, Neutral and corrosive liquids
- Air, Inert and aggressive gases, Vacuum
- Food industry
- Industrial processes, Metallurgy
- Oxygen, Steam, Medical, Sterilizers
- Chemical and Petrochemical Industry

Die direktwirkenden Magnetventile der Serie K2F - mit einem Gewindekörper aus Edelstahl 304 - vervollständigen die Palette der Stahlventile mit den Größen 3/8" und 1/2".

Dank der verwendeten Materialien, zeichnen sich die Ventile insbesondere für den Einsatz mit aggressiven und korrosiven Flüssigkeiten aus und bieten dadurch eine Vielzahl an Anwendungslösungen."

Die Auswahl von drei Spulentypen (Serie C, D, E) mit unterschiedlichen Größen erhöht die Leistung dieser Ventile.

Vorteile

- Anschlüsse 3/8" & 1/2"
- Öffnungen von Ø 3,0 mm bis zu Ø 6,4 mm
- Kontakt mit Lebensmitteln, aggressiven und korrosiven Flüssigkeiten
- Große Auswahl an Dichtungsmaterialien
- FDA-zertifizierte und NSF51-konforme Dichtungen
- Möglichkeit von Sonderausführungen mit Aignep-Fittingen
- IP67 Schutz mit Anschlussstück und Feuchtigkeitsschutz-Kit

Anwendungen

- Wasser, Öle, neutrale und korrosive Flüssigkeiten
- Luft, inerte und aggressive Gase, Vakuum
- Lebensmittelindustrie
- Industrielle Prozesse, Metallurgie
- Sauerstoff, Dampf, Medizin, Sterilisatoren
- Chemische und petrochemische Industrie

Les électrovannes de la série K2F – à commande directe avec corps fileté en acier inoxydable 304 – complètent la gamme de vannes en acier avec la disponibilité des tailles 3/8" et 1/2". Grâce aux matériaux utilisés, il offre une excellente compatibilité au contact de fluides agressifs et corrosifs, permettant des solutions d'application dans de nombreux secteurs.

Le choix de trois types de bobines (séries C, D, E) de tailles et de puissances différentes augmente les performances de ces vannes.

Principaux avantages

- Connexions 3/8" & 1/2"
- Orifices de Ø 3,0 mm à Ø 6,4 mm
- Contact avec des aliments, des fluides agressifs et corrosifs
- Large choix de matériaux d'étanchéité
- Joints certifiés FDA et conformes NSF51
- Possibilité d'exécutions spéciales avec raccords Aignep
- Degré de protection IP67 avec connecteur et kit anti-humidité

Applications

- Eau, Huiles, Liquides neutres et corrosifs
- Air, Gaz inertes et agressifs, Vide
- Industrie alimentaire
- Procédés industriels, Métallurgie
- Oxygène, Vapeur, Médical, Stérilisateurs
- Industrie chimique et pétrochimique

Las electroválvulas de la serie K2F (de accionamiento directo con cuerpo roscado de acero inoxidable 304) completan la gama de válvulas de acero con la disponibilidad de los tamaños 3/8" y 1/2". Gracias a los materiales utilizados, ofrece una excelente compatibilidad en contacto con fluidos agresivos y corrosivos, permitiendo soluciones de aplicación en muchos sectores.

La elección de tres tipos de bobinas (series C, D, E) con diferentes tamaños y potencias aumentan el rendimiento de estas válvulas.

Principales ventajas

- Conexiones 3/8" y 1/2"
- Orificios desde Ø 3,0 mm hasta Ø 6,4 mm
- Contacto con alimentos, fluidos agresivos y corrosivos
- Amplia selección de materiales de sellado
- Juntas certificadas por FDA y compatibles con NSF51
- Posibilidad de ejecuciones especiales con racores Aignep
- Grado de protección IP67 con conector y kit antihumedad

Aplicaciones

- Agua, Aceites, Líquidos neutros y corrosivos
- Aire, Gases inertes y agresivos, Vacío
- Industria de alimentos
- Procesos Industriales, Metalurgia
- Oxígeno, Vapor, Médico, Esterilizadores
- Industria Química y Petroquímica

As válvulas solenóides da série K2F – ação direta com corpo roscado em aço inoxidável 304 – completam a linha de válvulas de aço inox com a disponibilidade dos tamanhos 3/8" e 1/2". Graças aos materiais utilizados, oferece excelente compatibilidade em contato com fluidos agressivos e corrosivos, permitindo soluções de aplicação em diversos setores. A escolha de três tipos de bobinas (séries C, D, E) com diferentes tamanhos e potências aumentam o desempenho dessas válvulas.

Principais vantagens

- Conexões 3/8" e 1/2"
- Orifícios de Ø 3,0 mm até Ø 6,4 mm
- Contato com alimentos, fluidos agressivos e corrosivos
- Ampla gama de materiais de vedação
- Certificadas pela FDA e compatíveis com NSF51
- Possibilidade de montagens especiais com conexões Aignep
- Grau de proteção IP67 com conector e kit anti-umidade

Aplicações

- Água, óleos, líquidos neutros e corrosivos
- Ar, gases inertes e agressivos, vácuo
- Indústria alimentícia
- Processos Industriais, Metalurgia
- Oxigênio, Vapor, Médico, Esterilizadores
- Indústria Química e Petroquímica



Caratteristiche generali - K2F	IT	General features - K2F	GB	Eigenschaften - K2F	DE
<ul style="list-style-type: none"> - Posizione di montaggio universale - Kit operatore Ø 13 mm - Certificazione valvole: ATEX II 2G/D Ex h - Bobine: classe H - - CSA C22.2 		<ul style="list-style-type: none"> - Universal mounting position - Operator kit Ø 13 mm - ATEX II 2G/D Ex h certification - Coils: Class H - - CSA C22.2 		<ul style="list-style-type: none"> - Einbaulage universal - Bausatz Ø 13 mm - ATEX II 2G/D Ex h zulassung - Spulenkategorie H - - CSA C22.2 	
Caractéristiques générales - K2F	FR	Características generales - K2F	ES	Características gerais - K2F	PT
<ul style="list-style-type: none"> - Position de montage universelle - Kit Pilote Ø 13 mm - Certification ATEX II 2G/D Ex h - Bobine: classe H - - CSA C22.2 		<ul style="list-style-type: none"> - Posición de montaje universal - Kit operador Ø 13 mm - Certificación ATEX II 2G/D Ex h - Bobinas: clase H - - CSA C22.2 		<ul style="list-style-type: none"> - Posição de montagem universal - Kit do operador Ø 13 mm - Certificação ATEX II 2G/D Ex h - Bobinas: classe H - - CSA C22.2 	



Tabella dei codici di ordinazione

Ordering codes

Bestellschlüssel

Composition de la référence de commande

Tabla para definición de código

Tabela de código de compra

SERIE	Connessione Port size Masse Dimension Tamaño Tamanho	Funzione Functions Funktion Fonctions Función Funções	Orifizio Orifice Dn Passage Orifício	Materiale guarnizioni Sealing materials Dichtungswerkstoffe Matériaux des joints Material juntas Material das vedações	Versione Version Ausführung Version Versión Versão	Filettatura Thread Gewinde Filetage Rosca
-------	---	--	--	---	---	---

K	2	F	0	4	1	0	3	N	0			
			04 = 3/8"	05 = 1/2"	1 = 2/2 NC Normalmente chiusa Normally closed Normalerweise geschlossen Normalement fermée Normalmente cerrada Normalmente fechada	03 = 3 mm	04 = 4 mm	05 = 5 mm	64 = 6.4 mm	N = NBR	0 = Standard	= Gas
					2 = 2/2 NO Normalmente aperta Normally open Normalerweise offen Normalement ouvert Normalmente abierta Normalmente aberta			F = NBR				
					3 = 3/2 NC Normalmente chiusa Normally closed Normalerweise geschlossen Normalement fermée Normalmente cerrada Normalmente fechada			E = EPDM				
					4 = 3/2 NO Normalmente aperta Normally open Normalerweise offen Normalement ouvert Normalmente abierta Normalmente aberta			V = FKM				
								P = PTFE				

BOBINE: SERIE C, D, E COILS: SERIES C, D, E SPULEN: SERIES C, D, E BOBINES: SÉRIES C, D, E BOBINAS: SERIES C, D, E BOBINAS: SÉRIES C, D, E	PAG: 19.5 / 19.6 / 19.7 PAG: 19.5 / 19.6 / 19.7 PAG: 19.5 / 19.6 / 19.7 PAG: 19.5 / 19.6 / 19.7 PAG: 19.5 / 19.6 / 19.7	CONNETTORI CONNECTORS STECKER CONNECTEURS CONECTORES CONECTORES	PAG: 19.10 PAG: 19.10 PAG: 19.10 PAG: 19.10 PAG: 19.10
--	--	---	---

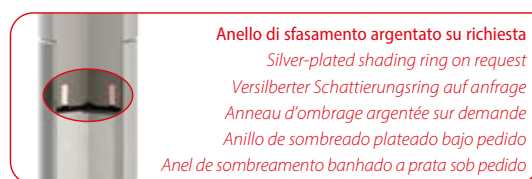
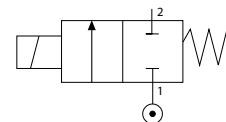
SERIE K2F

ELETTROVALVOLE AD AZIONAMENTO DIRETTO CON CORPO IN ACCIAIO INOX AISI 304

DIRECT ACTING SOLENOID VALVES WITH BODY IN STAINLESS STEEL AISI 304
 MAGNETVENTILE MIT DIREKTER BETÄTIGUNG MIT KÖRPER EDELSTAHL AISI 304
 ELECTROVANNES A ACTIONNEMENT DIRECT AVEC CORPS EN ACIER INOX AISI 304
 ELECTROVÁLVULAS DE ACCIONAMIENTO DIRECTO CON CUERPO DE ACERO INOX AISI 304
 ELETTROVÁLVULAS DE ACIONAMENTO DIRETO COM CORPO EM AÇO-INOX AISI 304

2/2 NC

3/8" - 1/2"



Anello di sfasamento argentato su richiesta
 Silver-plated shading ring on request
 Versilberter Schattierungsring auf anfrage
 Anneau d'ombrage argentée sur demande
 Anillo de sombreado plateado bajo pedido
 Anel de sombreamento banhado a prata sob pedido

Materiali e Componenti	IT	Materials and Components	GB	Materialien und Komponenten	DE
1 Corpo: Acciaio Inox AISI 304		1 Body: Stainless steel AISI 304		1 Körper: Edelstahl AISI 304	
2 Tenute: NBR - NBR - EPDM - FKM - PTFE		2 Seals: NBR - NBR - EPDM - FKM - PTFE		2 Dichtung: NBR - NBR - EPDM - FKM - PTFE	
3 Tubo guida: Acciaio Inox		3 Armature tube: Stainless steel		3 Führungsrohr: Edelstahl	
4 Nucleo fisso e mobile: Acciaio Inox AISI 430FR		4 Fixed and mobile core: Stainless steel AISI 430FR		4 Kern: Edelstahl AISI 430FR	
5 Molle: Acciaio Inox		5 Springs: Stainless steel		5 Feder: Edelstahl	
6 Anello di sfasamento: Rame		6 Shading ring: Copper		6 Schattierung Ring: Kupfer	

Matériaux et Composants	FR	Materiales y componentes	ES	Materialis e Componentes	PT
1 Corps: Acier inox AISI 304		1 Cuerpo: Acero inox AISI 304		1 Corpo: Aço-inox AISI 304	
2 Joints: NBR - NBR - EPDM - FKM - PTFE		2 Juntas: NBR - NBR - EPDM - FKM - PTFE		2 Vedações: NBR - NBR - EPDM - FKM - PTFE	
3 Tube de pilotage: Acier inox		3 Tubo guía: Acero inox		3 Tubo Guia: Aço-inox	
4 Noyau: Acier inox AISI 430FR		4 Núcleo fijo y móvil: Acero inox AISI 430FR		4 Núcleo fixo e móvel I: Aço-inox AISI 430FR	
5 Ressort: Acier inox		5 Muelle: Acero inox		5 Mola: Aço-inox	
6 Anneaux d'ombrage : cuivre		6 Anillo de sombreado: Cobre		6 Anel de sombreamento: Cobre	



Pressione massima ammissibile
 Maximum allowable pressure
 Max. Betriebsdruck
 Pression de service max.
 Presión máxima admisible
 Pressão máxima admissível

50 bar



Tabella compatibilità e materiali
 Compatibility and materials table
 Beständigkeitsübersicht
 Tableau de compatibilité des matériaux
 Tabla de compatibilidad de materiales
 Tabela de compatibilidade química

Pag. 0.21 - 0.22



Temperatura ambiente con bobine in classe H
 Room temperature with coil class H
 Raumtemperatur, mit Spule der Klasse H
 Température ambiante, avec bobine classe H
 Temperatura ambiente con bobina classe H
 Temperatura ambiente com bobina de classe H

**- 10 °C
 + 80 °C**

OPZIONI SU RICHIESTA - OPTIONS ON REQUEST - OPTIONEN AUF ANFRAGE - OPTIONS SUR DEMANDE - OPCIONES BAJO PEDIDO - OPÇÕES SOB ENCOMENDA

Anello di sfasamento argentato - Silver-plated shading ring - Versilberter Schattierungsring
 Anneau d'ombrage argentée - Anillo de sombreado plateado - Anel de sombreamento banhado a prata

Versione idonea per utilizzo con ossigeno industriale - Version suitable for use with industrial oxygen - Version für industrie sauerstoff
 Version adaptée à une utilisation avec de l'oxygène industriel - Versión idónea para el uso con oxígeno industrial - Versão adequada para utilização com oxigênio industrial

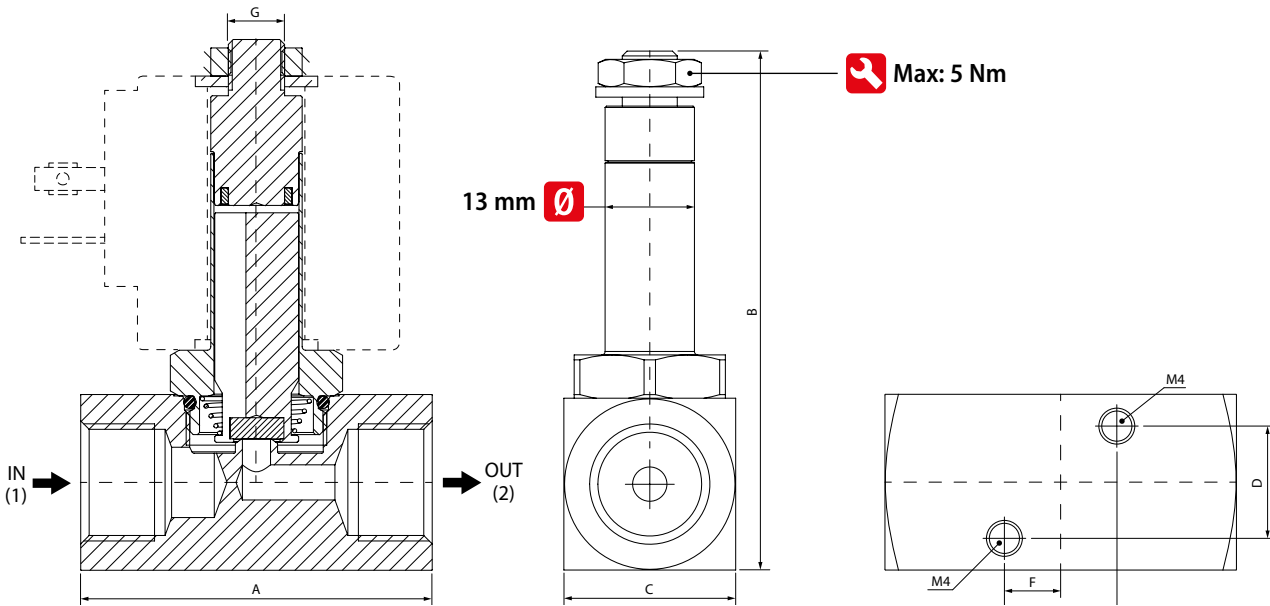
Code	Materiale tenute Sealing materials Dichtungswerkstoffe Matériau joint Material juntas Material das vedações	Conessioni Port size Verbindungen Conexions Conexiones Conexões	Ø Orifizio Ø Orifice Ø Dn Ø Passage Ø Orificio Ø Orificio	Viscosità Viscosity Viskosität Viscosité Viscosidad Viscosidade	Kv	Pressione differenziale (OPD) Differential pressure (OPD) Differenzdruck (OPD) Pression différentielle (OPD) Presión diferencial (OPD) Pressão diferencial (OPD)			Potenza Power Leistung Puissance Potencia		Bobine Coils Spulen Bobines Bobinas Bobinas				
						Min	Max DC	Max AC	DC W	AC VA	Size mm	Serie C - pag. 19.5 D - pag. 19.6 E - pag. 19.7			
①	①	ISO 228	mm	cSt	m³/h	Bar									
K2F 04 1 03 _ 0	N = NBR -10°C +90°C F = NBR ❄️ -40°C +90°C V = FKM -10°C +140°C E = EPDM -10°C +140°C P = PTFE -40°C +180°C	3/8"	3	53	0.21	0	10	21	8	14	30	C - SOL20			
16							30	14					21	30	D - SOL20
40							40								
3			10	8	14	30	C - SOL20								
6			14					14					21	30	D - SOL20
15			20												
1.4		5	8	14	30	C - SOL20									
2.2		7					14	21	30	D - SOL20					
5.5		10									22	31	36	E - SOL21	
-		2.5	-	14	30	C - SOL20									
1.5		3.5					14	21	30	D - SOL20					
4.5		5									22	31	36	E - SOL21	
10	21	8	14	30	C - SOL20										
16	30					14	21	30	D - SOL20						
40	40									22	31	36	E - SOL21		
3	10													8	14
6	14					14	21	30	D - SOL20						
15	20									22	31	36	E - SOL21		
1.4	5	8	14	30	C - SOL20										
2.2	7					14	21	30	D - SOL20						
5.5	10									22	31	36	E - SOL21		
-	2.5	-	14	30	C - SOL20										
1.5	3.5					14	21	30	D - SOL20						
4.5	5									22	31	36	E - SOL21		

① Selezionare tenuta - Select seal material - Wählen Sie das Dichtungsmaterial aus - Sélectionner matériau d'étanchéité - Seleccionar material sellado - Seleccionar material de vedação

EPDM - P max = 2.5 bar / PTFE - P max = 10 bar: Con vapore - With steam - Mit dampf - Avec vapeur - Con vapor - Com vapor

PTFE = max 300 cm³/h: Perdita ammessa - Allowable leakage - Zulässige leakage - Fuite admissible - Fuga permitida - Vazamento permitido

Bobina non inclusa - Coil not included - Magnetspulen separat - Bobines non incluse - Bobina no incluida - Bobinas não incluídas



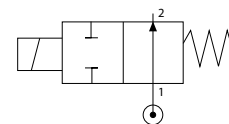
Size	A	B	C	D	E	F	G
3/8"	50	75.5	25	16	16	8	M8 x 1
1/2"	58	75.5	25	16	16	8	M8 x 1


SERIE K2F

ELETTROVALVOLE AD AZIONAMENTO DIRETTO CON CORPO IN ACCIAIO INOX AISI 304

DIRECT ACTING SOLENOID VALVES WITH BODY IN STAINLESS STEEL AISI 304
 MAGNETVENTILE MIT DIREKTER BETÄTIGUNG MIT KÖRPER EDELSTAHL AISI 304
 ELECTROVANNES A ACTIONNEMENT DIRECT AVEC CORPS EN ACIER INOX AISI 304
 ELECTROVÁLVULAS DE ACCIONAMIENTO DIRECTO CON CUERPO DE ACERO INOX AISI 304
 ELETTROVÁLVULAS DE ACIONAMENTO DIRETO COM CORPO EM AÇO-INOX AISI 304

2/2 NO **3/8" - 1/2"**





Anello di sfasamento argentato su richiesta
Silver-plated shading ring on request
Versilberter Schattierungsring auf anfrage
Anneau d'ombrage argentée sur demande
Anillo de sombreado plateado bajo pedido
Anel de sombreamento banhado a prata sob pedido

Materiali e Componenti	IT	Materials and Components	GB	Materialien und Komponenten	DE
1 Corpo: Acciaio Inox AISI 304 2 Tenute: NBR - EPDM - FKM 3 Tubo guida: Acciaio Inox 4 Nucleo fisso e mobile: Acciaio Inox AISI 430FR 5 Molle: Acciaio Inox 6 Anello di sfasamento: Rame		1 Body: Stainless steel AISI 304 2 Seals: NBR - EPDM - FKM 3 Armature tube: Stainless steel 4 Fixed and mobile core: Stainless steel AISI 430FR 5 Springs: Stainless steel 6 Shading ring: Copper		1 Körper: Edelstahl AISI 304 2 Dichtung: NBR - EPDM - FKM 3 Führungsrohr: Edelstahl 4 Kern: Edelstahl AISI 430FR 5 Feder: Edelstahl 6 Schattierung Ring: Kupfer	
Matériaux et Composants	FR	Materiales y componentes	ES	Materialien e Componentes	PT
1 Corps: Acier inox AISI 304 2 Joints: NBR - EPDM - FKM 3 Tube de pilotage: Acier inox 4 Noyau: Acier inox AISI 430FR 5 Ressort: Acier inox 6 Anneaux d'ombrage : cuivre		1 Cuerpo: Acero inox AISI 304 2 Juntas: NBR - EPDM - FKM 3 Tubo guía: Acero inox 4 Núcleo fijo y móvil: Acero inox AISI 430FR 5 Muelle: Acero inox 6 Anillo de sombreado: Cobre		1 Corpo: Aço-inox AISI 304 2 Vedações: NBR - EPDM - FKM 3 Tubo Guia: Aço-inox 4 Núcleo fixo e móvel I: Aço-inox AISI 430FR 5 Mola: Aço-inox 6 Anel de sombreamento: Cobre	



Pressione massima ammissibile
Maximum allowable pressure
Max. Betriebsdruck
Pression de service max.
Presión máxima admisible
Pressão máxima admissível

50 bar





Tabella compatibilità e materiali
Compatibility and materials table
Beständigkeitsübersicht
Tableau de compatibilité des matériaux
Tabla de compatibilidad de materiales
Tabela de compatibilidade química

Pag. 0.21 - 0.22



Temperatura ambiente con bobine in classe H
Room temperature with coil class H
Raumtemperatur, mit Spule der Klasse H
Température ambiante, avec bobine classe H
Temperatura ambiente con bobina classe H
Temperatura ambiente com bobina de classe H

- 10 °C
+ 80 °C

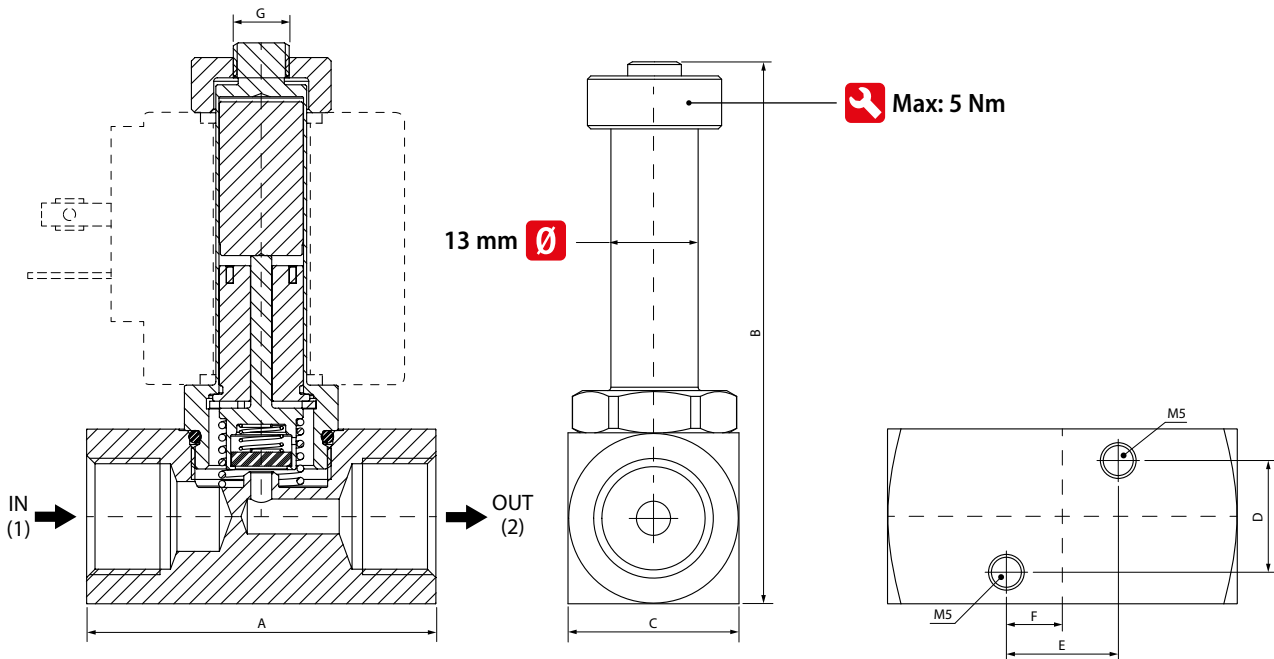
OPZIONI SU RICHIESTA - OPTIONS ON REQUEST - OPTIONEN AUF ANFRAGE - OPTIONS SUR DEMANDE - OPCIONES BAJO PEDIDO - OPÇÕES SOB ENCOMENDA
Anello di sfasamento argentato - Silver-plated shading ring - Versilberter Schattierungsring Anneau d'ombrage argentée - Anillo de sombreado plateado - Anel de sombreamento banhado a prata
Versione idonea per utilizzo con ossigeno industriale - Version suitable for use with industrial oxygen - Version für industrie sauerstoff Version adaptée à une utilisation avec de l'oxygène industriel - Versión idónea para el uso con oxígeno industrial - Versão adequada para utilização com oxigênio industrial

Code	Materiale tenute Sealing materials Dichtungswerkstoffe Matériau joint Material juntas Material das vedações	Conessioni Port size Verbindungen Connexions Conexiones Conexões	Ø Orifizio Ø Orifice Ø Dn Ø Passage Ø Orificio Ø Orificio	Viscosità Viscosity Viskosität Viscosité Viscosidad Viscosidade	Kv	Pressione differenziale (OPD) Differential pressure (OPD) Differenzdruck (OPD) Pression différentielle (OPD) Presión diferencial (OPD) Pressão diferencial (OPD)			Potenza Power Leistung Puissance Potencia		Bobine Coils Spulen Bobines Bobinas		
						Bar	Min	Max DC	Max AC	DC W	AC VA	Size mm	Serie C - pag. 19.5 D - pag. 19.6 E - pag. 19.7
①	①	ISO 228	mm	cSt	m ³ /h								
K2F 04 2 03 _ 0	N = NBR -10°C +90°C V = FKM -10°C +140°C E = EPDM -10°C +140°C	3/8"	3	53	0.21	0	-	7.5	7.5	-	14	30	C - SOL20
7.5							7.5	7.5	7.5	7.5	7.5	7.5	D - SOL20
							7.5	7.5	7.5	7.5	7.5	7.5	E - SOL21
-		4.5	4.5	4.5	4.5	0	-	4.5	4.5	-	14	30	C - SOL20
							4.5	4.5	4.5	4.5	4.5	4.5	D - SOL20
-		2.5	2.5	2.5	2.5	0	-	2.5	2.5	-	14	30	C - SOL20
							2.5	2.5	2.5	2.5	2.5	2.5	D - SOL20
-		7.5	7.5	7.5	7.5	0	-	7.5	7.5	-	14	30	C - SOL20
							7.5	7.5	7.5	7.5	7.5	7.5	D - SOL20
-	4.5	4.5	4.5	4.5	0	-	4.5	4.5	-	14	30	C - SOL20	
						4.5	4.5	4.5	4.5	4.5	4.5	D - SOL20	
-	2.5	2.5	2.5	2.5	0	-	2.5	2.5	-	14	30	C - SOL20	
						2.5	2.5	2.5	2.5	2.5	2.5	D - SOL20	
-	7.5	7.5	7.5	7.5	0	-	7.5	7.5	-	14	30	C - SOL20	
						7.5	7.5	7.5	7.5	7.5	7.5	D - SOL20	
-	4.5	4.5	4.5	4.5	0	-	4.5	4.5	-	14	30	C - SOL20	
						4.5	4.5	4.5	4.5	4.5	4.5	D - SOL20	
-	2.5	2.5	2.5	2.5	0	-	2.5	2.5	-	14	30	C - SOL20	
						2.5	2.5	2.5	2.5	2.5	2.5	D - SOL20	
-	7.5	7.5	7.5	7.5	0	-	7.5	7.5	-	14	30	C - SOL20	
						7.5	7.5	7.5	7.5	7.5	7.5	D - SOL20	
-	4.5	4.5	4.5	4.5	0	-	4.5	4.5	-	14	30	C - SOL20	
						4.5	4.5	4.5	4.5	4.5	4.5	D - SOL20	
-	2.5	2.5	2.5	2.5	0	-	2.5	2.5	-	14	30	C - SOL20	
						2.5	2.5	2.5	2.5	2.5	2.5	D - SOL20	
-	7.5	7.5	7.5	7.5	0	-	7.5	7.5	-	14	30	C - SOL20	
						7.5	7.5	7.5	7.5	7.5	7.5	D - SOL20	
-	4.5	4.5	4.5	4.5	0	-	4.5	4.5	-	14	30	C - SOL20	
						4.5	4.5	4.5	4.5	4.5	4.5	D - SOL20	
-	2.5	2.5	2.5	2.5	0	-	2.5	2.5	-	14	30	C - SOL20	
						2.5	2.5	2.5	2.5	2.5	2.5	D - SOL20	

① Selezionare tenuta - Select seal material - Wählen Sie das Dichtungsmaterial aus - Sélectionner matériau d'étanchéité - Seleccionar material sellado - Seleccionar material de vedação

EPDM - P max= 2.5 bar: Con vapore - With steam - Mit dampf - Avec vapeur - Con vapor - Com vapor

Bobina non inclusa - Coil not included - Magnetspulen separat - Bobines non incluse - Bobina no incluida - Bobinas não incluidas



Size	A	B	C	D	E	F	G
3/8"	50	80.3	25	16	16	8	M8 x 1
1/2"	58	80.3	25	16	16	8	M8 x 1

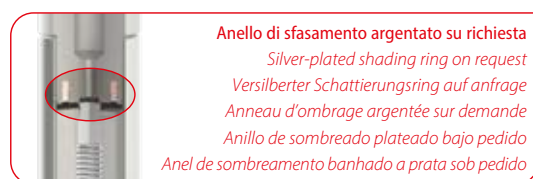
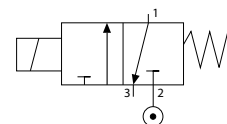
SERIE K2F

ELETTROVALVOLE AD AZIONAMENTO DIRETTO CON CORPO IN ACCIAIO INOX AISI 304

DIRECT ACTING SOLENOID VALVES WITH BODY IN STAINLESS STEEL AISI 304
 MAGNETVENTILE MIT DIREKTER BETÄTIGUNG MIT KÖRPER EDELSTAHL AISI 304
 ELECTROVANNES A ACTIONNEMENT DIRECT AVEC CORPS EN ACIER INOX AISI 304
 ELECTROVÁLVULAS DE ACCIONAMIENTO DIRECTO CON CUERPO DE ACERO INOX AISI 304
 ELETRÓVALVULAS DE ACIONAMENTO DIRETO COM CORPO EM AÇO-INOX AISI 304

3/2 NC

3/8" - 1/2"



Anello di sfasamento argentato su richiesta
 Silver-plated shading ring on request
 Versilberter Schattierungsring auf anfrage
 Anneau d'ombrage argentée sur demande
 Anillo de sombreado plateado bajo pedido
 Anel de sombreado banhado a prata sob pedido

Materiali e Componenti	IT	Materials and Components	GB	Materialien und Komponenten	DE
1 Corpo: Acciaio Inox AISI 304 2 Tenute: NBR - EPDM - FKM 3 Tubo guida: Acciaio Inox 4 Nucleo fisso e mobile: Acciaio Inox AISI 430FR 5 Molle: Acciaio Inox 6 Anello di sfasamento: Rame		1 Body: Stainless steel AISI 304 2 Seals: NBR - EPDM - FKM 3 Armature tube: Stainless steel 4 Fixed and mobile core: Stainless steel AISI 430FR 5 Springs: Stainless steel 6 Shading ring: Copper		1 Körper: Edelstahl AISI 304 2 Dichtung: NBR - EPDM - FKM 3 Führungsrohr: Edelstahl 4 Kern: Edelstahl AISI 430FR 5 Feder: Edelstahl 6 Schattierung Ring: Kupfer	
Matériaux et Composants	FR	Materiales y componentes	ES	Materialis e Componentes	PT
1 Corps: Acier inox AISI 304 2 Joints: NBR - EPDM - FKM 3 Tube de pilotage: Acier inox 4 Noyau: Acier inox AISI 430FR 5 Ressort: Acier inox 6 Anneaux d'ombrage : cuivre		1 Cuerpo: Acero inox AISI 304 2 Juntas: NBR - EPDM - FKM 3 Tubo guía: Acero inox 4 Núcleo fijo y móvil: Acero inox AISI 430FR 5 Muelle: Acero inox 6 Anillo de sombreado: Cobre		1 Corpo: Aço-inox AISI 304 2 Vedações: NBR - EPDM - FKM 3 Tubo Guia: Aço-inox 4 Núcleo fixo e móvel I: Aço-inox AISI 430FR 5 Mola: Aço-inox 6 Anel de sombreado: Cobre	



Pressione massima ammissibile
 Maximum allowable pressure
 Max. Betriebsdruck
 Pression de service max.
 Presión máxima admisible
 Pressão máxima admissível

50 bar



Tabella compatibilità e materiali
 Compatibility and materials table
 Beständigkeitsübersicht
 Tableau de compatibilité des matériaux
 Tabla de compatibilidad de materiales
 Tabela de compatibilidade química

Pag. 0.21 - 0.22



Temperatura ambiente con bobine in classe H
 Room temperature with coil class H
 Raumtemperatur, mit Spule der Klasse H
 Température ambiante, avec bobine classe H
 Temperatura ambiente con bobina classe H
 Temperatura ambiente com bobina de classe H

**- 10 °C
 + 80 °C**

OPZIONI SU RICHIESTA - OPTIONS ON REQUEST - OPTIONEN AUF ANFRAGE - OPTIONS SUR DEMANDE - OPCIONES BAJO PEDIDO - OPÇÕES SOB ENCOMENDA

Anello di sfasamento argentato - Silver-plated shading ring - Versilberter Schattierungsring
 Anneau d'ombrage argentée - Anillo de sombreado plateado - Anel de sombreado banhado a prata

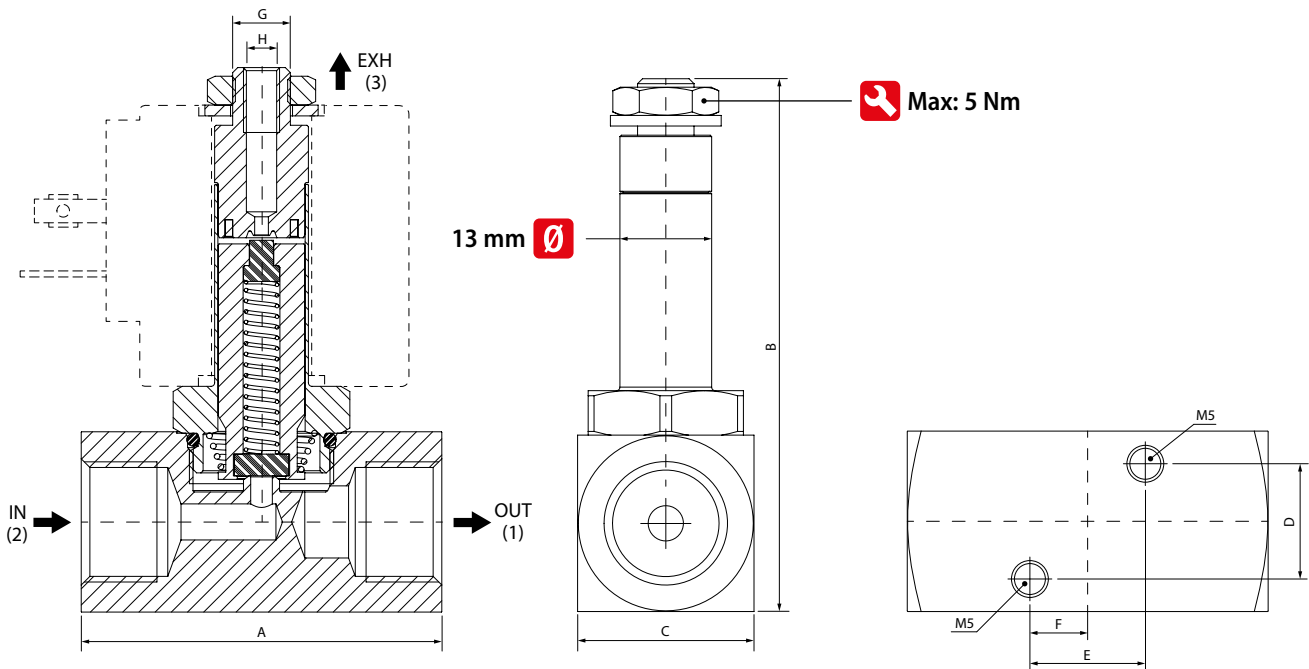
Versione idonea per utilizzo con ossigeno industriale - Version suitable for use with industrial oxygen - Version für industrie sauerstoff
 Version adaptée à une utilisation avec de l'oxygène industriel - Versión idónea para el uso con oxígeno industrial - Versão adequada para utilização com oxigênio industrial

Code	Materiale tenute Sealing materials Dichtungswerkstoffe Matériau joint Material juntas Material das vedações	Conessioni Port size Verbindungen Connexions Conexiones Conexões	Ø Orifizio Ø Orifice Ø Dn Ø Passage Ø Orificio Ø Orificio		Viscosità Viscosity Viskosität Viscosité Viscosidad Viscosidade	Kv	Pressione differenziale (OPD) Differential pressure (OPD) Differenzdruck (OPD) Pression différentielle (OPD) Presión diferencial (OPD) Pressão diferencial (OPD)			Potenza Power Leistung Puissance Potencia Potência		Bobine Coils Spulen Bobines Bobinas Bobinas							
			mm	IN			EXH	cSt	m ³ /h	Bar	Min	Max DC	Max AC	DC	AC	Size	Serie C - pag. 19.5 D - pag. 19.6 E - pag. 19.7		
K2F 04 3 03 _ 0	N = NBR -10°C +90°C V = FKM -10°C +140°C E = EPDM -10°C +140°C	ISO 228	3/8"	3	1.9	37	0.21	0.10	0	10	10	8	14	30	C - SOL20				
10										10	14	21	30	D - SOL20					
10										10	22	31	36	E - SOL21					
K2F 04 3 04 _ 0			N = NBR -10°C +90°C V = FKM -10°C +140°C E = EPDM -10°C +140°C	ISO 228	3/8"	4	1.9	37	0.35	0.10	0	6	6	8	14	30	C - SOL20		
6												6	14	21	30	D - SOL20			
6												6	22	31	36	E - SOL21			
K2F 04 3 05 _ 0					N = NBR -10°C +90°C V = FKM -10°C +140°C E = EPDM -10°C +140°C	ISO 228	3/8"	5	1.9	37	0.51	0.10	0	3	3	8	14	30	C - SOL20
3														3	14	21	30	D - SOL20	
3														3	22	31	36	E - SOL21	
K2F 05 3 03 _ 0	N = NBR -10°C +90°C V = FKM -10°C +140°C E = EPDM -10°C +140°C	ISO 228					1/2"	3	1.9	37	0.21	0.10	0	10	10	8	14	30	C - SOL20
10														10	14	21	30	D - SOL20	
10														10	22	31	36	E - SOL21	
K2F 05 3 04 _ 0			N = NBR -10°C +90°C V = FKM -10°C +140°C E = EPDM -10°C +140°C	ISO 228			1/2"	4	1.9	37	0.35	0.10	0	6	6	8	14	30	C - SOL20
6														6	14	21	30	D - SOL20	
6														6	22	31	36	E - SOL21	
K2F 05 3 05 _ 0					N = NBR -10°C +90°C V = FKM -10°C +140°C E = EPDM -10°C +140°C	ISO 228	1/2"	5	1.9	37	0.51	0.10	0	3	3	8	14	30	C - SOL20
3														3	14	21	30	D - SOL20	
3														3	22	31	36	E - SOL21	

① Selezionare tenuta - Select seal material - Wählen Sie das Dichtungsmaterial aus - Sélectionner matériau d'étanchéité - Seleccionar material sellado - Seleccionar material de vedação

EPDM - P max= 2.5 bar: Con vapore - With steam - Mit dampf - Avec vapeur - Con vapor - Com vapor

Bobina non inclusa - Coil not included - Magnetspulen separat - Bobines non incluse - Bobina no incluida - Bobinas não incluidas



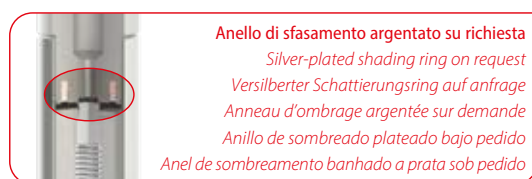
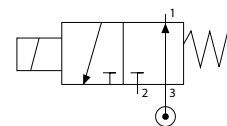
Size	A	B	C	D	E	F	G	H
3/8"	50	75.5	25	16	16	8	M8 x 1	M5
1/2"	58	75.5	25	16	16	8	M8 x 1	M5

SERIE K2F

ELETTROVALVOLE AD AZIONAMENTO DIRETTO CON CORPO IN ACCIAIO INOX AISI 304

DIRECT ACTING SOLENOID VALVES WITH BODY IN STAINLESS STEEL AISI 304
 MAGNETVENTILE MIT DIREKTER BETÄTIGUNG MIT KÖRPER EDELSTAHL AISI 304
 ELECTROVANNES A ACTIONNEMENT DIRECT AVEC CORPS EN ACIER INOX AISI 304
 ELECTROVÁLVULAS DE ACCIONAMIENTO DIRECTO CON CUERPO DE ACERO INOX AISI 304
 ELETTROVÁLVULAS DE ACIONAMENTO DIRETO COM CORPO EM AÇO-INOX AISI 304

3/2 NO **3/8" - 1/2"**



Anello di sfasamento argentato su richiesta
 Silver-plated shading ring on request
 Versilberter Schattierungsring auf anfrage
 Anneau d'ombrage argentée sur demande
 Anillo de sombreado plateado bajo pedido
 Anel de sombreamento banhado a prata sob pedido

Materiali e Componenti	IT	Materials and Components	GB	Materialien und Komponenten	DE
1 Corpo: Acciaio Inox AISI 304 2 Tenute: NBR - EPDM - FKM 3 Tubo guida: Acciaio Inox 4 Nucleo fisso e mobile: Acciaio Inox AISI 430FR 5 Molle: Acciaio Inox 6 Anello di sfasamento: Rame		1 Body: Stainless steel AISI 304 2 Seals: NBR - EPDM - FKM 3 Armature tube: Stainless steel 4 Fixed and mobile core: Stainless steel AISI 430FR 5 Springs: Stainless steel 6 Shading ring: Copper		1 Körper: Edelstahl AISI 304 2 Dichtung: NBR - EPDM - FKM 3 Führungsrohr: Edelstahl 4 Kern: Edelstahl AISI 430FR 5 Feder: Edelstahl 6 Schattierung Ring: Kupfer	
Matériaux et Composants	FR	Materiales y componentes	ES	Materialis e Componentes	PT
1 Corps: Acier inox AISI 304 2 Joints: NBR - EPDM - FKM 3 Tube de pilotage: Acier inox 4 Noyau: Acier inox AISI 430FR 5 Ressort: Acier inox 6 Anneaux d'ombrage : cuivre		1 Cuerpo: Acero inox AISI 304 2 Juntas: NBR - EPDM - FKM 3 Tubo guía: Acero inox 4 Núcleo fijo y móvil: Acero inox AISI 430FR 5 Muelle: Acero inox 6 Anillo de sombreado: Cobre		1 Corpo: Aço-inox AISI 304 2 Vedações: NBR - EPDM - FKM 3 Tubo Guia: Aço-inox 4 Núcleo fixo e móvel I: Aço-inox AISI 430FR 5 Mola: Aço-inox 6 Anel de sombreamento: Cobre	



Pressione massima ammissibile
 Maximum allowable pressure
 Max. Betriebsdruck
 Pression de service max.
 Presión máxima admisible
 Pressão máxima admissível

50 bar



Tabella compatibilità e materiali
 Compatibility and materials table
 Beständigkeitsübersicht
 Tableau de compatibilité des matériaux
 Tabla de compatibilidad de materiales
 Tabela de compatibilidade química

Pag. 0.21 - 0.22



Temperatura ambiente con bobine in classe H
 Room temperature with coil class H
 Raumtemperatur, mit Spule der Klasse H
 Température ambiante, avec bobine classe H
 Temperatura ambiente con bobina classe H
 Temperatura ambiente com bobina de classe H

**- 10 °C
 + 80 °C**

OPZIONI SU RICHIESTA - OPTIONS ON REQUEST - OPTIONEN AUF ANFRAGE - OPTIONS SUR DEMANDE - OPCIONES BAJO PEDIDO - OPÇÕES SOB ENCOMENDA

Anello di sfasamento argentato - Silver-plated shading ring - Versilberter Schattierungsring
 Anneau d'ombrage argentée - Anillo de sombreado plateado - Anel de sombreamento banhado a prata

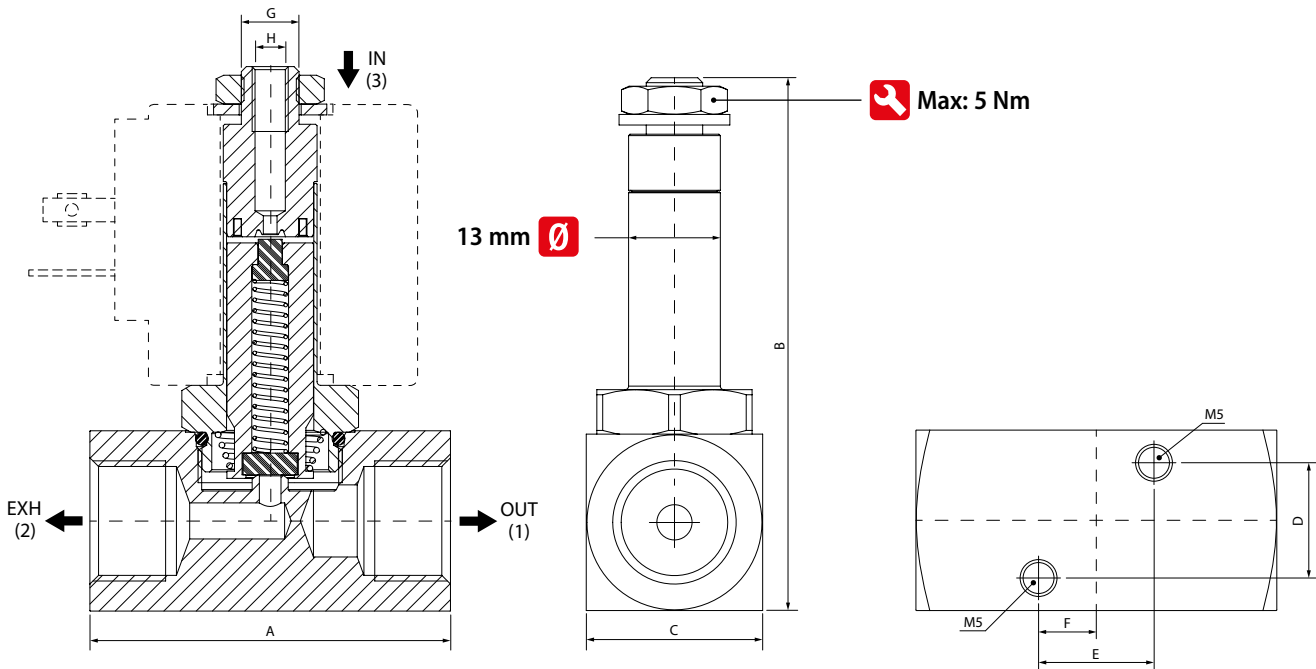
Versione idonea per utilizzo con ossigeno industriale - Version suitable for use with industrial oxygen - Version für industrie sauerstoff
 Version adaptée à une utilisation avec de l'oxygène industriel - Versión idónea para el uso con oxígeno industrial - Versão adequada para utilização com oxigênio industrial

Code	Materiale tenute Sealing materials Dichtungswerkstoffe Matériau joint Material juntas Material das vedações	Conessioni Port size Verbindungen Connexions Conexiones Conexões	Ø Orifizio Ø Orifice Ø Dn Ø Passage Ø Orificio Ø Orificio		Viscosità Viscosity Viskosität Viscosité Viscosidad Viscosidade	Kv	Pressione differenziale (OPD) Differential pressure (OPD) Differenzdruck (OPD) Pression différentielle (OPD) Presión diferencial (OPD) Pressão diferencial (OPD)			Potenza Power Leistung Puissance Potencia		Bobine Coils Spulen Bobines Bobinas Bobinas		
			mm				cSt	m³/h		Bar			DC	AC
①	①	ISO 228	IN	EXH		IN		EXH	Min	Max DC	Max AC	W	VA	mm
K2F 04 4 03 _ 0	N = NBR -10°C +90°C V = FKM -10°C +140°C E = EPDM -10°C +140°C	3/8"	1.9	3	37	0.10	0.21	0	10	15	8	14	30	C - SOL20
15									15					
K2F 04 4 04 _ 0			4	37	0.10	0.35	0	4	10	8	14	30	C - SOL20	
								7	15					
K2F 04 4 05 _ 0			5	37	0.10	0.51	0	2	6	8	14	30	C - SOL20	
								3	9.5					
K2F 05 4 03 _ 0		1/2"	1.9	3	37	0.10	0.21	0	10	15	8	14	30	C - SOL20
									15	15				
			K2F 05 4 04 _ 0	4	37	0.10	0.35	0	4	10	8	14	30	C - SOL20
									7	15				
			K2F 05 4 05 _ 0	5	37	0.10	0.51	0	2	6	8	14	30	C - SOL20
									3	9.5				
								8	12					

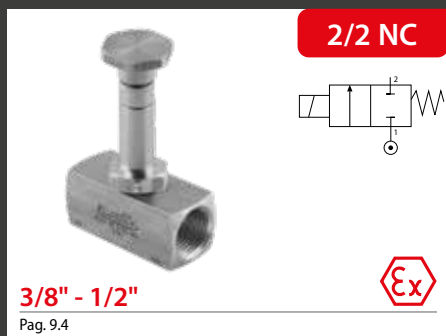
① Selezionare tenuta - Select seal material - Wählen Sie das Dichtungsmaterial aus - Sélectionner matériau d'étanchéité - Seleccionar material sellado - Seleccionar material de vedação

EPDM - P max= 2.5 bar: Con vapore - With steam - Mit dampf - Avec vapeur - Con vapor - Com vapor

Bobina non inclusa - Coil not included - Magnetspulen separat - Bobines non incluse - Bobina no incluida - Bobinas não incluidas



Size	A	B	C	D	E	F	G
3/8"	50	75.5	25	16	16	8	M8 x 1
1/2"	58	75.5	25	16	16	8	M8 x 1

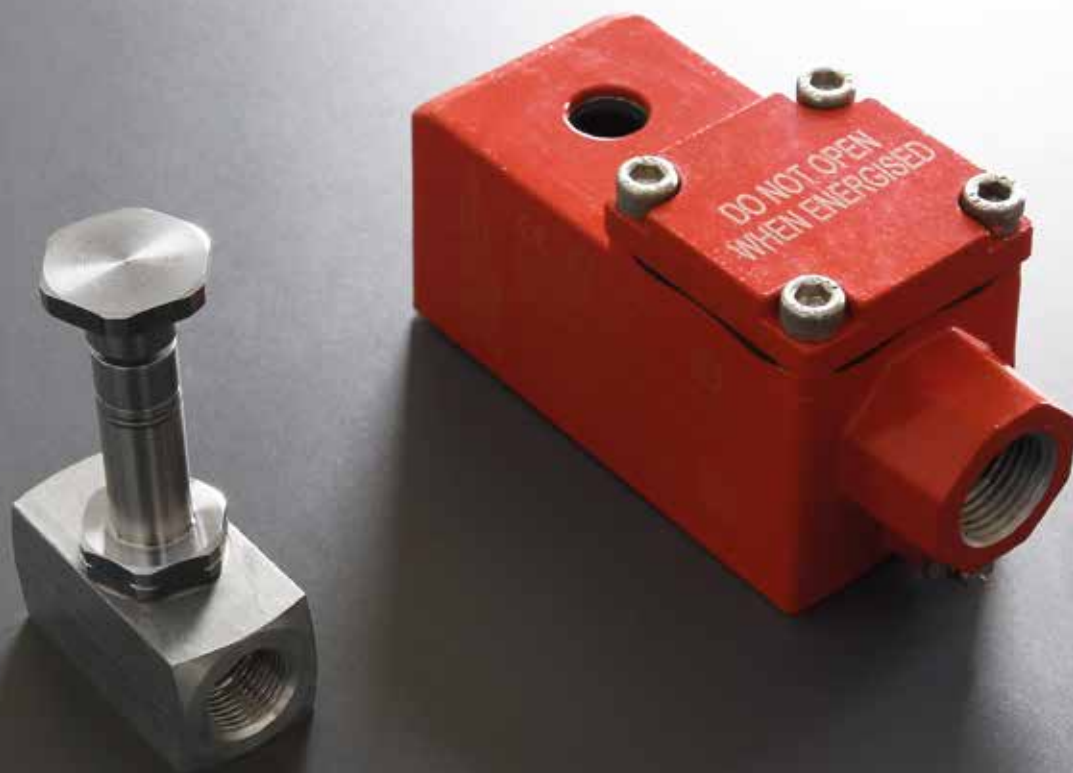


**ELETTROVALVOLE AD AZIONAMENTO DIRETTO CON
CORPO IN ACCIAIO INOX 304 PER BOBINA ATEX "SERIE Y"**

*DIRECT ACTING SOLENOID VALVES WITH
STAINLESS STEEL 304 BODY FOR "SERIES Y" ATEX COIL
MAGNETVENTILE MIT DIREKTER BETÄTIGUNG MIT
KÖRPER EDELSTAHL 304 FÜR SPULE ATEX "Y-SERIE"
ELECTROVANNES À COMMANDE DIRECTE AVEC CORPS
EN ACIER INOX 304 POUR BOBINE ATEX "SERIE Y"
ELECTROVÁLVULAS DE ACCIONAMIENTO DIRECTO CON CUERPO
DE ACERO INOX 304 PARA BOBINA ATEX "SERIE Y"
ELETROVÁLVULAS DE ACIONAMENTO DIRETO COM CORPO
EM AÇO-INOX 304 PARA BOBINA ATEX "SERIE Y"*

AISI 304


II 2 G/D Ex h



Serie K2A - Coil ATEX Ex d

Le elettrovalvole ATEX serie K2A – azionamento diretto con corpo filettato in acciaio inox 304 – disponibili nella sola funzione 2/2 NC, possono essere installate in atmosfere potenzialmente esplosive grazie all'utilizzo esclusivo con la bobina ATEX serie Y avente custodia a prova di esplosione con marcatura Ex d / Ex tb, oltre all'impiego a contatto con fluidi aggressivi e corrosivi.

Anche la parte meccanica (valvola) è certificata ATEX II 2G/D Ex h, a completamento della garanzia del prodotto.

Principali vantaggi

- Installazione in atmosfere potenzialmente esplosive
- Valvola certificata ATEX II 2G/D Ex h
- Bobina certificata ATEX II 2G/D Ex d / Ex tb
- Contatto con fluidi aggressivi e corrosivi
- Connessioni 3/8" e 1/2"
- Orifici dal Ø 3.0 mm al Ø 6.4 mm
- Ampia selezione dei materiali di tenuta
- Possibilità di esecuzioni speciali con raccordi Aignep

Applicazioni

- Industria Chimica e Metallurgica
- Oil & Gas
- Ossigeno e Idrogeno
- Oli, Liquidi neutri e corrosivi
- Gas inerti e aggressivi

The ATEX K2A series solenoid valves – direct acting with 304 stainless steel threaded body – available in the 2/2 NC function only, can be installed in potentially explosive atmospheres thanks to the exclusive use with the Y series ATEX coil having explosion-proof enclosure with marking Ex d / Ex tb, as well as use in contact with aggressive and corrosive fluids.

Even the mechanical part (valve) is ATEX II 2G/D Ex h certified, completing the product warranty.

Main advantages

- Installation in potentially explosive atmospheres
- Valve certified ATEX II 2G/D Ex h
- Coil certified ATEX II 2G/D Ex d / Ex tb
- Contact with aggressive and corrosive fluids
- Connections 3/8" & 1/2"
- Orifices from Ø 3.0 mm up to Ø 6.4 mm
- Wide selection of sealing materials
- Possibility of special executions with Aignep fittings

Applications

- Chemical and Metallurgical industry
- Oil & Gas
- Oxygen and Hydrogen
- Oils, Neutral and corrosive liquids
- Inert and aggressive gases

Die direktwirkenden ATEX-Magnetventile der Serie K2A – mit einem Gewindekörper aus Edelstahl 304 – sind in der Funktion 2/2 NC verfügbar.

Durch die ausschließliche Verwendung der ATEX-Spule Serie Y, mit explosionsgeschütztem Gehäuse und der Kennzeichnung Ex d / Ex tb, sind die Ventile für den Einsatz in explosionsgefährdeten Bereichen sowie dem Kontakt mit aggressiven und korrosiven Flüssigkeiten geeignet.

Auch der mechanische Teil (Ventil) ist nach ATEX II 2G/D Ex h zertifiziert und vervollständigt damit die Produktsicherheit.

Vorteile

- Installation in explosionsgefährdeten Bereichen
- Ventil zertifiziert nach ATEX II 2G/D Ex h
- Spule zertifiziert nach ATEX II 2G/D Ex d / Ex tb
- Kontakt mit aggressiven und korrosiven Fluiden
- Anschlüsse 3/8" & 1/2"
- Öffnungen von Ø 3,0 mm bis zu Ø 6,4 mm
- Große Auswahl an Dichtungsmaterialien
- Optional Sonderausführungen mit Aignep-Fittings

Anwendungen

- Chemische und metallurgische Industrie
- Öl und Gas
- Sauerstoff und Wasserstoff
- Öle, neutrale und korrosive Flüssigkeiten
- Inerte und aggressive Gase

Les électrovannes série ATEX K2A – commande directe avec corps fileté en acier inoxydable 304 – disponibles uniquement en fonction 2/2 NF, peuvent être installées dans des atmosphères potentiellement explosives grâce à l'utilisation exclusive avec la bobine ATEX série Y ayant un boîtier antidéflagrant avec marquage Ex d / Ex tb, ainsi que l'utilisation au contact de fluides agressifs et corrosifs.

La partie mécanique (vanne) est également certifiée ATEX II 2G/D Ex h, complétant ainsi la garantie du produit.

Principaux avantages

- Installation en atmosphères potentiellement explosives
- Vanne certifiée ATEX II 2G/D Ex h
- Bobine certifiée ATEX II 2G/D Ex d / Ex tb
- Contact avec des fluides agressifs et corrosifs
- Connexions 3/8" & 1/2"
- Orifices de Ø 3,0 mm à Ø 6,4 mm
- Large choix de matériaux d'étanchéité
- Possibilité d'exécutions spéciales avec ferrures Aignep

Applications

- Industrie chimique et métallurgique
- Gaz et pétrole
- Oxygène et Hydrogène
- Huiles, Liquides neutres et corrosifs
- Gaz inertes et agressifs

Las electroválvulas serie ATEX K2A (accionamiento directo con cuerpo roscado en acero inoxidable 304) disponibles solo en función 2/2 NC, pueden ser instaladas en atmósferas potencialmente explosivas gracias al uso exclusivo con bobina ATEX serie Y con encapsulado antideflagrante con marcado Ex d/Ex tb, así como su uso en contacto con fluidos agresivos y corrosivos.

Incluso la parte mecánica (válvula) está certificada ATEX II 2G/D Ex h, completando la garantía del producto.

Principales ventajas

- Instalación en atmósferas potencialmente explosivas
- Válvula certificada ATEX II 2G/D Ex h
- Bobina certificada ATEX II 2G/D Ex d / Ex tb
- Contacto con fluidos agresivos y corrosivos
- Conexiones 3/8" y 1/2"
- Orificios desde Ø 3,0 mm hasta Ø 6,4 mm
- Amplia selección de materiales de sellado
- Posibilidad de ejecuciones especiales con racores Aignep

Aplicaciones

- Industria química y metalúrgica
- Gas y petróleo
- Oxígeno e Hidrógeno
- Aceites, Líquidos neutros y corrosivos
- Gases inertes y agresivos

As válvulas solenóides ATEX da série K2A – ação direta com corpo roscado em aço inoxidável 304 – disponíveis apenas na função 2/2 NC, podem ser instaladas em atmosferas potencialmente explosivas graças ao uso exclusivo com a bobina ATEX série Y com invólucro à prova de explosão com marcação Ex d / Ex tb, bem como podem ser aplicadas em contato com fluidos agressivos e corrosivos.

Mesmo a parte mecânica (válvula) possui certificação ATEX II 2G/D Ex h, completando a garantia do produto.

Principais vantagens

- Instalação em atmosferas potencialmente explosivas
- Válvula certificada ATEX II 2G/D Ex h
- Bobina certificada ATEX II 2G/D Ex d / Ex tb
- Contato com fluidos agressivos e corrosivos
- Conexões 3/8" e 1/2"
- Orifícios de Ø 3,0 mm até Ø 6,4 mm
- Ampla gama de materiais de vedação
- Possibilidade de montagens especiais com conexões Aignep

Aplicações

- Indústria Química e Metalúrgica
- Óleo & Gás
- Oxigênio e Hidrogênio
- Óleos, líquidos neutros e corrosivos
- Gases inertes e agressivos



Caratteristiche generali - K2A	IT	General features - K2A	GB	Eigenschaften - K2A	DE
- Posizione di montaggio universale - Certificazione valvola: ATEX II 2G/D Ex h - Certificazione bobina: ATEX II 2G/D Ex d, Ex tb		- Universal mounting position - Valve certification: ATEX II 2G/D Ex h - Coil certification: ATEX II 2G/D Ex d, Ex tb		- Einbaurage universal - Ventilzertifizierung: ATEX II 2G/D Ex h - Spulezertifizierung: ATEX II 2G/D Ex d, Ex tb	
Caractéristiques générales - K2A	FR	Características generales - K2A	ES	Características gerais - K2A	PT
- Position de montage universelle - Certification des vannes: ATEX II 2G/D Ex h - Certification de bobine: ATEX II 2G/D Ex d, Ex tb		- Posición de montaje universal - Certificación de válvula: ATEX II 2G/D Ex h - Certificación de bobina: ATEX II 2G/D Ex d, Ex tb		- Posição de montagem universal - Certificação de válvula: ATEX II 2G/D Ex h - Certificação de bobina: ATEX II 2G/D Ex d, Ex tb	



Tabella dei codici di ordinazione

- Ordering codes
- Bestellschlüssel
- Composition de la référence de commande
- Tabla para definición de código
- Tabela de código de compra

SERIE	Connessione Port size Masse Dimension Tamaño Tamanho	Funzione Fonctions Funktion Fonctions Función Funções	Orifizio Orifice Dn Passage Orifício Orifício	Materiale guarnizioni Sealing materials Dichtungswerkstoffe Matériaux des joints Material juntas Material das vedações	Versione Version Ausführung Version Versión Versão	Filettatura Thread Gewinde Filetage Rosca Rosca
-------	---	--	--	---	---	--

K	2	A	0	4	1	0	3	N	0					
		04 = 3/8"	05 = 1/2"	1 = 2/2 NC	03 = 3 mm	04 = 4 mm	05 = 5 mm	N = NBR	F = NBR ❄️	E = EPDM	V = FKM	P = PTFE	0 = Standard	= Gas

<p>BOBINA: SERIE Y COIL: SERIES Y SPULE: SERIES Y BOBINE: SÉRIES Y BOBINA: SERIES Y BOBINA: SÉRIES Y</p>	<p>PAG: 19.8 PAG: 19.8 PAG: 19.8 PAG: 19.8 PAG: 19.8 PAG: 19.8</p>	
--	--	--

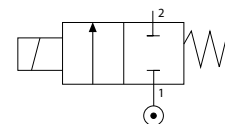
SERIE K2A - ATEX

ELETTROVALVOLE AD AZIONAMENTO DIRETTO CON CORPO IN ACCIAIO INOX 304 PER BOBINA ATEX "SERIE Y"

DIRECT ACTING SOLENOID VALVES WITH STAINLESS STEEL 304 BODY FOR "SERIES Y" ATEX COIL
 MAGNETVENTILE MIT DIREKTER BETÄTIGUNG MIT KÖRPER EDELSTAHL 304 FÜR SPULE ATEX "Y-SERIE"
 ELECTROVANNES À COMMANDE DIRECTE AVEC CORPS EN ACIER INOX 304 POUR BOBINE ATEX "SERIE Y"
 ELECTROVÁLVULAS DE ACCIONAMIENTO DIRECTO CON CUERPO DE ACERO INOX 304 PARA BOBINA ATEX "SERIE Y"
 ELETRÓVALVULAS DE ACIONAMENTO DIRETO COM CORPO EM AÇO-INOX 304 PARA BOBINA ATEX "SERIE Y"

2/2 NC

3/8" - 1/2"



Anello di sfasamento argentato su richiesta
 Silver-plated shading ring on request
 Versilberter Schattierungsring auf anfrage
 Anneau d'ombrage argentée sur demande
 Anillo de sombreado plateado bajo pedido
 Anel de sombreamento banhado a prata sob pedido

Bobine certificate ATEX
 ATEX certified coils
 ATEX zertifizierte spule
 Bobine certifiées ATEX
 Bobina con certificación ATEX
 Bobina certificadas ATEX

Materiali e Componenti	IT	Materials and Components	GB	Materialien und Komponenten	DE
1 Corpo: Acciaio Inox AISI 304		1 Body: Stainless steel AISI 304		1 Körper: Edelstahl AISI 304	
2 Tenute: NBR - NBR - EPDM - FKM - PTFE		2 Seals: NBR - NBR - EPDM - FKM - PTFE		2 Dichtung: NBR - NBR - EPDM - FKM - PTFE	
3 Tubo guida: Acciaio Inox AISI 316L		3 Armature tube: Stainless steel AISI 316L		3 Führungsrohr: Edelstahl AISI 316L	
4 Nucleo fisso e mobile: Acciaio Inox AISI 430FR		4 Fixed and mobile core: Stainless steel AISI 430FR		4 Kern: Edelstahl AISI 430FR	
5 Molle: Acciaio Inox		5 Springs: Stainless steel		5 Feder: Edelstahl	
6 Anello di sfasamento: Rame		6 Shading ring: Copper		6 Schattierung Ring: Kupfer	

Matériaux et Composants	FR	Materiales y componentes	ES	Materialis e Componentes	PT
1 Corps: Acier inox AISI 304		1 Cuerpo: Acero inox AISI 304		1 Corpo: Aço-inox AISI 304	
2 Joints: NBR - NBR - EPDM - FKM - PTFE		2 Juntas: NBR - NBR - EPDM - FKM - PTFE		2 Vedações: NBR - NBR - EPDM - FKM - PTFE	
3 Tube de pilotage: Acier inox AISI 316L		3 Tubo guía: Acero inox AISI 316L		3 Tubo Guia: Aço-inox AISI 316L	
4 Noyau: Acier inox AISI 430FR		4 Núcleo fijo y móvil: Acero inox AISI 430FR		4 Núcleo fixo e móvel I: Aço-inox AISI 430FR	
5 Ressort: Acier inox		5 Muelle: Acero inox		5 Mola: Aço-inox	
6 Anneaux d'ombrage : cuivre		6 Anillo de sombreado: Cobre		6 Anel de sombreamento: Cobre	



Pressione massima ammissibile
 Maximum allowable pressure
 Max. Betriebsdruck
 Pression de service max.
 Presión máxima admisible
 Pressão máxima admissível

50 bar



Tabella compatibilità e materiali
 Compatibility and materials table
 Beständigkeitsübersicht
 Tableau de compatibilité des matériaux
 Tabla de compatibilidad de materiales
 Tabela de compatibilidade química

Pag. 0.21 - 0.22



Valvola e bobina fornite separatamente
 Valve and coil supplied separately
 Ventil und Spule separat erhältlich
 Vanne et bobine fournies séparément
 Válvula y bobina suministradas por separado
 Válvula e bobina fornecidas separadamente

OPZIONI SU RICHIESTA - OPTIONS ON REQUEST - OPTIONEN AUF ANFRAGE - OPTIONS SUR DEMANDE - OPCIONES BAJO PEDIDO - OPÇÕES SOB ENCOMENDA

Anello di sfasamento argentato - Silver-plated shading ring - Versilberter Schattierungsring
 Anneau d'ombrage argentée - Anillo de sombreado plateado - Anel de sombreamento banhado a prata

Versione idonea per utilizzo con ossigeno industriale - Version suitable for use with industrial oxygen - Version für industrie sauerstoff
 Version adaptée à une utilisation avec de l'oxygène industriel - Versión idónea para el uso con oxígeno industrial - Versão adequada para utilização com oxigênio industrial

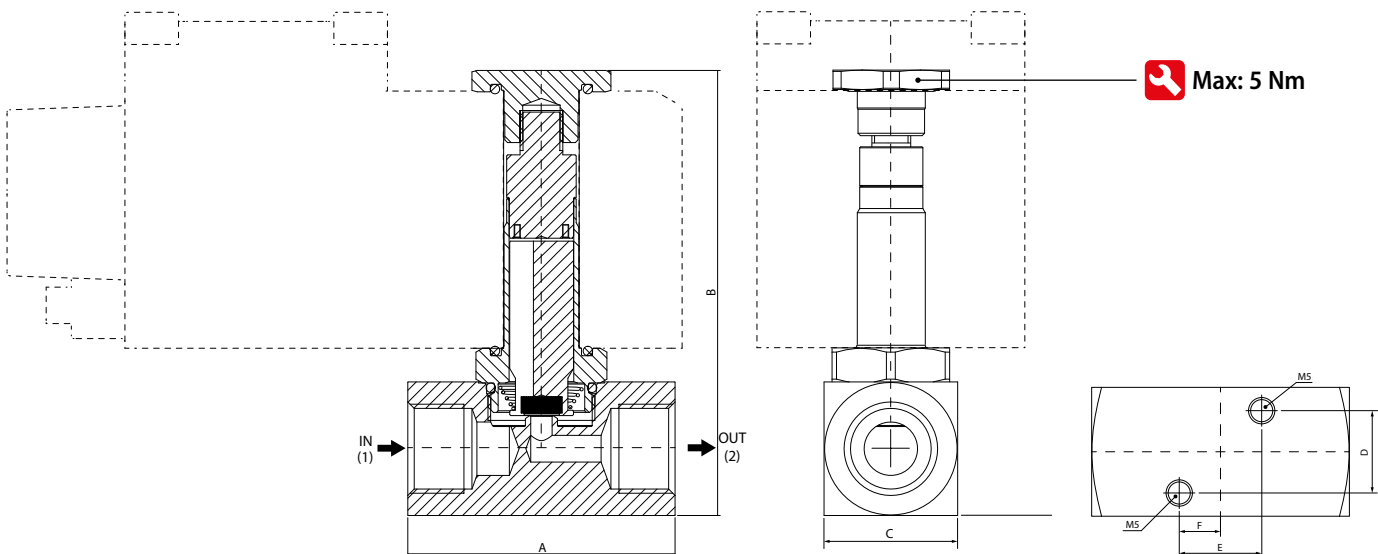
Code	Materiale tenute Sealing materials Dichtungswerkstoffe Matériau joint Material juntas Material das vedações	Conessioni Port size Verbindungen Connexions Conexiones Conexões	Ø Orifizio Ø Orifice Ø Dn Ø Passage Ø Orificio Ø Orifício	Viscosità Viscosity Viskosität Viscosité Viscosidad Viscosidade	Kv	Pressione differenziale (OPD) Differential pressure (OPD) Differenzdruck (OPD) Pression différentielle (OPD) Presión diferencial (OPD) Pressão diferencial (OPD)			Potenza Power Leistung Puissance Potencia Potência		Bobine Coils Spulen Bobines Bobinas Bobinas	
						Bar			DC	AC	Size	Serie
①	①	ISO 228	mm	cSt	m³/h	Min	Max DC	Max AC	W	VA	mm	Y - pag. 19.8
K2A 04 1 03 _0	N = NBR -10°C +90°C F = NBR ❄️ -40°C +90°C	3/8"	3	53	0.21	0	10	10	8	12	50	Y - S0LY0
K2A 04 1 04 _0			4	53	0.35	0	3	3	8	12	50	Y - S0LY0
K2A 04 1 05 _0			5	53	0.51	0	1.4	1.4	8	12	50	Y - S0LY0
K2A 05 1 03 _0	V = FKM -10°C +140°C E = EPDM -10°C +140°C P = PTFE -40°C +180°C	1/2"	3	53	0.21	0	10	10	8	12	50	Y - S0LY0
K2A 05 1 04 _0			4	53	0.35	0	3	3	8	12	50	Y - S0LY0
K2A 05 1 05 _0			5	53	0.51	0	1.4	1.4	8	12	50	Y - S0LY0

① Selezionare tenuta - Select seal material - Wählen Sie das Dichtungsmaterial aus - Sélectionner matériau d'étanchéité - Seleccionar material sellado - Seleccionar material de vedação

EPDM - P max = 2.5 bar / PTFE - P max = 10 bar: Con vapore - With steam - Mit dampf - Avec vapeur - Con vapor - Com vapor


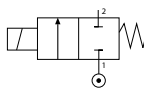
PTFE = max 300 cm³/h: Perdita ammessa - Allowable leakage - Zulässige leakage - Fuite admissible - Fuga permitida - Vazamento permitido

Bobina non inclusa - Coil not included - Magnetspulen separat - Bobines non incluse - Bobina no incluida - Bobinas não incluídas




Size	A	B	C	D	E	F
3/8"	50	84	25	16	16	8
1/2"	58	84	25	16	16	8

2/2 NC


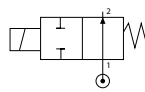



32 x 32 mm

Pag. 10.4



2/2 NO

32 x 32 mm

Pag. 10.6



3/2 NC


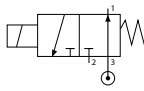



32 x 32 mm

Pag. 10.8




3/2 NO

32 x 32 mm

Pag. 10.10



30 mm



Serie C

Pag. 19.5



30 mm



Serie D

Pag. 19.6



36 mm



Serie E

Pag. 19.7




Connectors

Pag. 19.9 / 19.10



**ELETTROVALVOLE AD AZIONAMENTO DIRETTO CON FISSAGGIO
A FLANGIA E CORPO IN OTTONE CW510L - Pb ≤ 0.1%**

*DIRECT ACTING SOLENOID VALVES WITH
FLANGE FIXING AND BRASS CW510L BODY - Pb ≤ 0.1%*

*MAGNETVENTILE MIT DIREKTER BETÄTIGUNG
FLANSCHBEFESTIGUNG UND MESSINGGEHÄUSE CW510L - Pb 0,1 %*

*ELECTROVANNES A ACTIONNEMENT DIRECT AVEC FIXATION
DE LA BRIDE ET CORPS EN LAITON CW510L - Pb 0,1 %*

*ELECTROVÁLVULAS DE ACCIONAMIENTO DIRECTO CON FIJACIÓN
DE BRIDA Y CUERPO DE LATÓN CW510L - Pb 0.1%*

*ELETROVÁLVULAS DE ACIONAMENTO DIRETO COM FIXAÇÃO
DE FLANGE E CORPO DE LATÃO CW510L - Pb ≤ 0.1%*

CW510L / Pb ≤ 0.1%


II 2 G/D Ex h


CSA C22.2

F2F



Le elettrovalvole serie F2F - azionamento diretto aventi corpo con fissaggio a flangia 32x32mm in ottone CW510L - si differenziano per il montaggio su sottobase e per il basso contenuto di piombo ($\leq 0,1\%$) che ne consente l'utilizzo in applicazioni alimentari.

Spazi di ingombro ridotti, ampia selezione dei materiali di tenuta e prestazioni elevate con bobine di diverse taglie e potenze (serie C, D, E).

Principali vantaggi

- Installazione su sottobase (32x32mm)
- Corpo in ottone CW510L (Pb $\leq 0,1\%$)
- Pressioni di lavoro fino a 50 bar
- Ampia selezione dei materiali di tenuta
- Guarnizioni certificate FDA e conformi NSF51
- Grado di protezione IP67 con connettore e kit antiumidità

Applicazioni

- Industria alimentare
- Coffee & vending
- Compressori
- Acqua e Liquidi neutri
- Aria e Gas inerti
- Oli, Vapore, Vuoto

The F2F series solenoid valves - direct acting with 32x32mm flange fixing body in CW510L brass - differ for the sub-base installation and for the low lead content ($\leq 0,1\%$) which allows the use in food applications.

Small overall dimensions, wide selection of sealing materials and high performance with coils of different sizes and powers (series C, D, E).

Main advantages

- Sub-base installation (32x32mm)
- CW510L brass body (Pb $\leq 0,1\%$)
- Working pressures up to 50 bar
- Wide selection of sealing materials
- FDA certified and NSF51 compliant seals
- IP67 protection degree with connector and anti-humidity kit

Applications

- Food industry
- Coffee & vending
- Compressors
- Water and Neutral liquids
- Air and Inert gases
- Oils, Steam, Vacuum

Die direktwirkenden Magnetventile der Serie F2F - mit 32x32mm Flanschbefestigung bestehen aus CW510L-Messing (Bleigehalt $\leq 0,1\%$) und sind somit für den Einsatz in Lebensmittelanwendungen geeignet. Kompakte Bauformen, eine große Auswahl an Dichtungsmaterialien und hohen Leistungen sowie Magnetspulen verschiedener Größen (Serien C, D, E) ermöglichen einen weiten Anwendungsbereich.

Vorteile

- Montage auf einer Grundplatte (32x32mm)
- Gehäuse aus CW510L-Messing (Pb $\leq 0,1\%$)
- Betriebsdruck bis zu 50 bar
- Große Auswahl an Dichtungsmaterialien
- FDA-zertifizierte und NSF51-konforme Dichtungen
- IP67 Schutz mit Stecker und Feuchtigkeitsschutz-Kit

Anwendungen

- Lebensmittelindustrie
- Kaffee und Verkaufsautomaten
- Kompressoren
- Wasser und neutrale Flüssigkeiten
- Luft und inerte Gase
- Öle, Dampf, Vakuum

Les électrovannes de la série F2F - à commande directe avec corps de fixation à bride 32x32mm en laiton CW510L - se distinguent par l'installation sur embase et par la faible teneur en plomb ($\leq 0,1\%$) qui permet l'utilisation dans des applications alimentaires.

Dimensions réduites, large choix de matériaux d'étanchéité et hautes performances avec des bobines de différentes tailles et puissances (séries C, D, E).

Principaux avantages

- Installation sous-base (32x32mm)
- Corps en laiton CW510L (Pb $\leq 0,1\%$)
- Pression jusqu'à 50 bar
- Large choix de matériaux d'étanchéité
- Joints certifiés FDA et conformes NSF51
- Degré de protection IP67 avec connecteur et kit anti-humidité

Applications

- Industrie alimentaire
- Machines café et distributeurs automatiques
- Compresseurs
- Eau et liquides neutres
- Air et gaz inertes
- Huiles, Vapeur, Vide

Las electroválvulas de la serie F2F, de accionamiento directo con cuerpo de fijación de brida de 32x32 mm en latón CW510L, se diferencian por la instalación en la subbase y por el bajo contenido de plomo ($\leq 0,1\%$) que permite el uso en aplicaciones alimentarias.

De dimensiones pequeñas, amplia selección de materiales de sellado y alto rendimiento con bobinas de diferentes tamaños y potencias (series C, D, E).

Principales ventajas

- Instalación sub-base (32x32mm)
- Cuerpo de latón CW510L (Pb $\leq 0,1\%$)
- Presiones de trabajo hasta 50 bar
- Amplia selección de materiales de sellado
- Sellos certificados por FDA y compatibles con NSF51
- Grado de protección IP67 con conector y kit antihumedad

Aplicaciones

- Industria de alimentos
- Café y vending
- Compresores
- Agua y Líquidos Neutros
- Aire y gases inertes
- Aceites, Vapor, Vacío

As válvulas solenóides da série F2F - ação direta com corpo de fixação por flange 32x32mm em latão CW510L - diferem pela instalação na sub-base e pelo baixo teor de chumbo ($\leq 0,1\%$) que permite o uso em aplicações alimentícias.

Dimensões gerais reduzidas, ampla gama de materiais de vedação e alto desempenho com bobinas de diferentes tamanhos e potências (séries C, D, E).

Principais vantagens

- Instalação por sub-base (32x32mm)
- Corpo de latão CW510L (Pb $\leq 0,1\%$)
- Pressões de trabalho até 50 bar
- Ampla gama de materiais de vedação
- Certificadas pela FDA e compatíveis com NSF51
- Grau de proteção IP67 com conector e kit anti-umidade

Aplicações

- Indústria alimentícia
- Café & vending machines
- Compressores
- Água e líquidos neutros
- Ar e gases inertes
- Óleos, Vapor, Vácuo



Caratteristiche generali - F2F	IT	General features - F2F	GB	Eigenschaften - F2F	DE
- Posizione di montaggio universale - Kit operatore Ø 13 mm - Certificazione valvola: ATEX II 2G/D Ex h - Bobine: classe H - - CSA C22.2		- Universal mounting position - Operator kit Ø 13 mm - Valve certification: ATEX II 2G/D Ex h - Coils: Class H - - CSA C22.2		- Einbaulage universal - Bausatz Ø 13 mm - Ventilzertifizierung: ATEX II 2G/D Ex h - Spulenkategorie H - - CSA C22.2	
Caractéristiques générales - F2F	FR	Características generales - F2F	ES	Características gerais - F2F	PT
- Position de montage universelle - Kit Pilote Ø 13 mm - Certification des vannes: ATEX II 2G/D Ex h - Bobine: classe H - - CSA C22.2		- Posición de montaje universal - Kit operador Ø 13 mm - Certificación de válvula: ATEX II 2G/D Ex h - Bobinas: clase H - - CSA C22.2		- Posição de montagem universal - Kit do operador Ø 13 mm - Certificação de válvula: ATEX II 2G/D Ex h - Bobinas: classe H - - CSA C22.2	

	Tabella dei codici di ordinazione
	<i>Ordering codes</i>
	<i>Bestellschlüssel</i>
	<i>Composition de la référence de commande</i>
	<i>Tabla para definición de código</i>
	<i>Tabela de código de compra</i>

SERIE	Connessione <i>Port size Masse Dimension Tamaño Tamanho</i>	Funzione <i>Functions Funktion Fonctions Función Funções</i>	Orifizio <i>Orifice Dn Passage Orificio Orificio</i>	Materiale guarnizioni <i>Sealing materials Dichtungswerkstoffe Matériaux des joints Material juntas Material das vedações</i>	Versione <i>Version Ausführung Version Versión Versão</i>
-------	--	---	---	--	--

F	2	F	J	9	1	1	5	N	0
			J9 = □32x32 mm		1 = 2/2 NC Normalmente chiusa <i>Normally closed Normalerweise geschlossen Normalement fermée Normalmente cerrada Normalmente fechada</i>	15 = 1.5 mm 02 = 2 mm 25 = 2.5 mm 03 = 3 mm 04 = 4 mm	N = NBR F = NBR E = EPDM V = FKM P = PTFE R = RUBY	0 = Standard 1 = Comando manuale DX (su richiesta) <i>Manual override DX (on request) Handbetätigung DX (auf Anfrage) Commande manuelle DX (sur demande) Comando manual DX (a petición) Accionamiento manual DX (a pedido)</i>	
			2 = 2/2 NO Normalmente aperta <i>Normally open Normalerweise offen Normalement ouvert Normalmente abierta Normalmente aberta</i>		3 = 3/2 NC Normalmente chiusa <i>Normally closed Normalerweise geschlossen Normalement fermée Normalmente cerrada Normalmente fechada</i>			3 = Sede in Acciaio Inox (su richiesta) <i>Stainless Steel seat (on request) Sitz aus Edelstahl (auf Anfrage) Siège en Acier Inoxydable (sur demande) Asiento en Acero Inoxidable (a petición) Sede in Acciaio Inox (a pedido)</i>	
			4 = 3/2 NO Normalmente aperta <i>Normally open Normalerweise offen Normalement ouvert Normalmente abierta Normalmente aberta</i>						

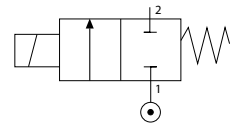
BOBINE: SERIE C, D, E COILS: SERIES C, D, E SPULEN: SERIES C, D, E BOBINES: SÉRIES C, D, E BOBINAS: SERIES C, D, E BOBINAS: SÉRIES C, D, E	PAG: 19.5 / 19.6 / 19.7 PAG: 19.5 / 19.6 / 19.7 PAG: 19.5 / 19.6 / 19.7 PAG: 19.5 / 19.6 / 19.7 PAG: 19.5 / 19.6 / 19.7	CONNETTORI CONNECTORS STECKER CONNECTEURS CONECTORES CONECTORES	PAG: 19.10 PAG: 19.10 PAG: 19.10 PAG: 19.10 PAG: 19.10
--	--	---	---

SERIE F2F

ELETTROVALVOLE AD AZIONAMENTO DIRETTO CON FISSAGGIO A FLANGIA E CORPO IN OTTONE CW510L

DIRECT ACTING SOLENOID VALVES WITH FLANGE FIXING AND BRASS CW510L BODY
 MAGNETVENTILE MIT DIREKTER BETÄTIGUNG FLANSCHBEFESTIGUNG UND MESSINGGEHÄUSE CW510L
 ELECTROVANNES A ACTIONNEMENT DIRECT AVEC FIXATION DE LA BRIDE ET CORPS EN LAITON CW510L
 ELECTROVÁLVULAS DE ACCIONAMIENTO DIRECTO CON FIJACIÓN DE BRIDA Y CUERPO DE LATÓN CW510L
 ELETRÓVALVULAS DE ACIONAMENTO DIRETO COM FIXAÇÃO DE FLANGE E CORPO DE LATÃO CW510L

2/2 NC 32 x 32 mm



**CW510L
Pb ≤ 0.1%**

Materiali e Componenti	IT	Materials and Components	GB	Materialien und Komponenten	DE
1 Corpo: Ottone CW510L - Pb ≤ 0.1% 2 Tenute: NBR - NBR* - EPDM - FKM - PTFE - RUBY 3 Tubo guida: Acciaio Inox 4 Nucleo fisso e mobile: Acciaio Inox AISI 430FR 5 Molle: Acciaio Inox		1 Body: Brass CW510L - Pb ≤ 0.1% 2 Seals: NBR - NBR* - EPDM - FKM - PTFE - RUBY 3 Armature tube: Stainless steel 4 Fixed and mobile core: Stainless steel AISI 430FR 5 Springs: Stainless steel		1 Körper: Messing CW510L - Pb ≤ 0.1% 2 Dichtung: NBR - NBR* - EPDM - FKM - PTFE - RUBY 3 Führungsrohr: Edelstahl 4 Kern: Edelstahl AISI 430FR 5 Feder: Edelstahl	
Matériaux et Composants	FR	Materiales y componentes	ES	Materialis e Componentes	PT
1 Corps: Laiton CW510L - Pb ≤ 0.1% 2 Joints: NBR - NBR* - EPDM - FKM - PTFE - RUBY 3 Tube de pilotage: Acier inox 4 Noyau: Acier inox AISI 430FR 5 Ressort: Acier inox		1 Cuerpo: Latón CW510L - Pb ≤ 0.1% 2 Juntas: NBR - NBR* - EPDM - FKM - PTFE - RUBY 3 Tubo guía: Acero inox 4 Núcleo fijo y móvil: Acero inox AISI 430FR 5 Muelle: Acero inox		1 Corpo: Latão CW510L - Pb ≤ 0.1% 2 Vedações: NBR - NBR* - EPDM - FKM - PTFE - RUBY 3 Tubo Guia: Aço-inox 4 Núcleo fixo e móvel I: Aço-inox AISI 430FR 5 Mola: Aço-inox	



Pressione massima ammissibile
 Maximum allowable pressure
 Max. Betriebsdruck
 Pression de service max.
 Presión máxima admisible
 Pressão máxima admissível

50 bar



Tabella compatibilità e materiali
 Compatibility and materials table
 Beständigkeitsübersicht
 Tableau de compatibilité des matériaux
 Tabla de compatibilidad de materiales
 Tabela de compatibilidade química

Pag. 0.21 - 0.22



Temperatura ambiente con bobine in classe H
 Room temperature with coil class H
 Raumtemperatur, mit Spule der Klasse H
 Température ambiante, avec bobine classe H
 Temperatura ambiente con bobina classe H
 Temperatura ambiente com bobina de classe H

**- 10 °C
+ 80 °C**

OPZIONI SU RICHIESTA - OPTIONS ON REQUEST - OPTIONEN AUF ANFRAGE - OPTIONS SUR DEMANDE - OPCIONES BAJO PEDIDO - OPÇÕES SOB ENCOMENDA
Comando manuale - Manual override - Handbetätigung Commande manuelle - Comando manual - Acionamento manual
Sede in Acciaio Inox - Stainless Steel seat - Sitz aus Edelstahl Siège en Acier Inoxydable - Asiento en Acero Inoxidable - Sede in Acciaio Inox
Versione idonea per utilizzo con ossigeno industriale - Version suitable for use with industrial oxygen - Version für industrie sauerstoff Version adaptée à une utilisation avec de l'oxygène industriel - Versión idónea para el uso con oxígeno industrial - Versão adequada para utilização com oxigênio industrial
Trattamento superficiale di nichelatura chimica componenti in ottone - Chemical nickel plating treatment for brass components - Chemische vernickelung Messingkomponenten Traitement surface nickelage chimique composants laiton - Tratamiento superficial niquelatura química componentes latón - Tratamento superficial niquelação química componentes latão

Code	Materiale tenute Sealing materials Dichtungswerkstoffe Matériau joint Material juntas Material das vedações	Conessioni Port size Verbindungen Connexions Conexiones Conexões	Ø Orifizio Ø Orifice Ø Dn Ø Passage Ø Orificio Ø Orificio	Viscosità Viscosity Viskosität Viscosité Viscosidad Viscosidade	Kv	Pressione differenziale (OPD) Differential pressure (OPD) Differenzdruck (OPD) Pression différentielle (OPD) Presión diferencial (OPD) Pressão diferencial (OPD)			Potenza Power Leistung Puissance Potencia		Bobine Coils Spulen Bobines Bobinas Bobinas	
						mm	cSt	m³/h	Bar	DC W	AC VA	Size mm
F2F J9 1 15 _ 0	N = NBR -10°C +90°C	□ 32x32 mm	1.5	25	0.06	0	50	50	8	14	30	C - SOL20
F2F J9 1 02 _ 0	F = NBR ❄️ -40°C +90°C						50	50	14	21	30	D - SOL20
F2F J9 1 25 _ 0	V = FKM -10°C +140°C						50	50	22	31	36	E - SOL21
F2F J9 1 03 _ 0	E = EPDM -10°C +140°C		2.5	53	0.15	0	35	50	8	14	30	C - SOL20
							50	50	14	21	30	D - SOL20
							50	50	22	31	36	E - SOL21
F2F J9 1 04 _ 0	P = PTFE -40°C +180°C		3	53	0.21	0	21	35	8	14	30	C - SOL20
							30	40	14	21	30	D - SOL20
							45	50	22	31	36	E - SOL21
F2F J9 1 04 _ 0	R = RUBY * -40°C +180°C		4	53	0.35	0	10	21	8	14	30	C - SOL20
		16					30	14	21	30	D - SOL20	
		40					40	22	31	36	E - SOL21	
							3	10	8	14	30	C - SOL20
							6	14	14	21	30	D - SOL20
							15	20	22	31	36	E - SOL21

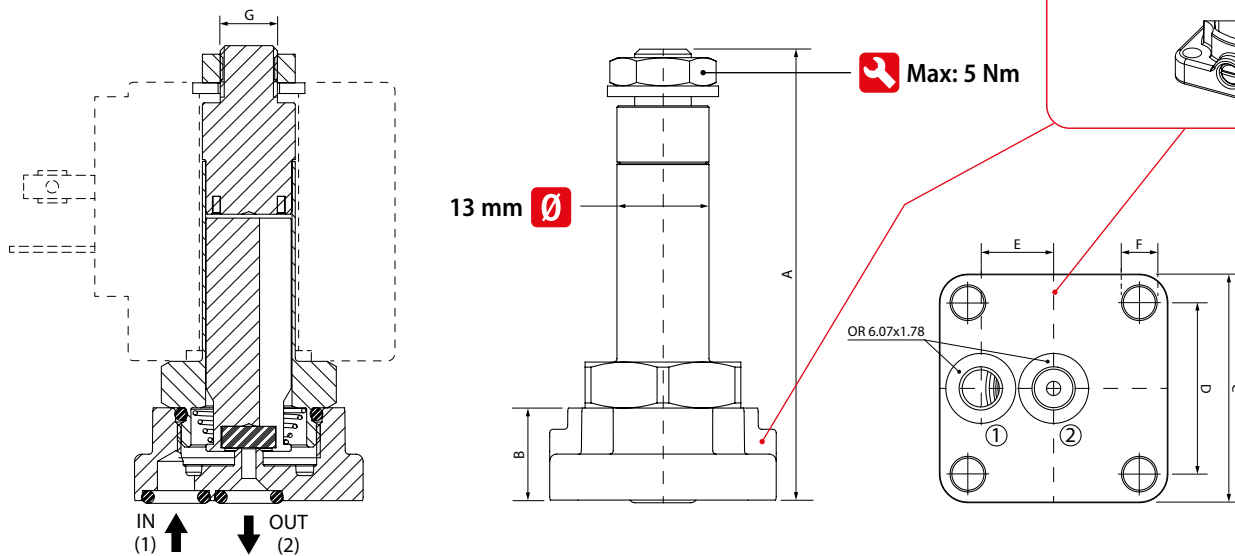
① **Selezionare tenuta - Select seal material - Wählen Sie das Dichtungsmaterial aus - Sélectionner matériau d'étanchéité - Seleccionar material sellado - Seleccionar material de vedação**

EPDM - P max = 2.5 bar / PTFE & RUBY - P max = 10 bar: Con vapore - With steam - Mit dampf - Avec vapeur - Con vapor - Com vapor

PTFE & RUBY = max 300 cm³/h: Perdita ammessa - Allowable leakage - Zulässige leakage - Fuite admissible - Fuga permitida - Vazamento permitido

* **RUBY - max Ø 2.5 mm: Solo sede Inox - Only with stainless steel seat - Nur mit edelstahlsitz - Avec siège inox - Solo con asiento inox - Apenas com assento em aço**

Bobina non inclusa - Coil not included - Magnetspulen separat - Bobines non incluse - Bobina no incluida - Bobinas não incluídas



Comando manuale DX (su richiesta)
Manual override DX (on request)
Handbetätigung DX (auf Anfrage)
Commande manuelle DX (sur demande)
Comando manual DX (a petición)
Acionamento manual DX (a pedido)

Size	A	B	C	D	E	F	G
□ 32x32 mm	63.7	13	32	24	10.2	4.5	M8 x 1

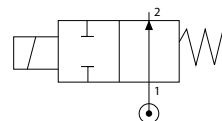
SERIE F2F

ELETTROVALVOLE AD AZIONAMENTO DIRETTO CON FISSAGGIO A FLANGIA E CORPO IN OTTONE CW510L

*DIRECT ACTING SOLENOID VALVES WITH FLANGE FIXING AND BRASS CW510L BODY
MAGNETVENTILE MIT DIREKTER BETÄTIGUNG FLANSCHBEFESTIGUNG UND MESSINGGEHÄUSE CW510L
ELECTROVANNES A ACTIONNEMENT DIRECT AVEC FIXATION DE LA BRIDE ET CORPS EN LAITON CW510L
ELECTROVÁLVULAS DE ACCIONAMIENTO DIRECTO CON FIJACIÓN DE BRIDA Y CUERPO DE LATÓN CW510L
ELETRÓVALVULAS DE ACIONAMENTO DIRETO COM FIXAÇÃO DE FLANGE E CORPO DE LATÃO CW510L*

2/2 NO

32 x 32 mm



**CW510L
Pb ≤ 0.1%**



*Tubo guida in Acciaio Inox su richiesta
Stainless Steel armature tube on request
Führungsrohr aus Edelstahl auf anfrage
Tube de pilotage en Acier Inox sur demande
Tubo guíae en Acero Inox bajo pedido
Tubo Guia de Aço-Inox sob pedido*

Materiali e Componenti

IT

- 1 Corpo: Ottone CW510L - Pb ≤ 0.1%
- 2 Tenute: NBR - EPDM - FKM
- 3 Tubo guida: Ottone
- 4 Nucleo fisso e mobile: Acciaio Inox AISI 430FR
- 5 Molle: Acciaio Inox

Materials and Components

GB

- 1 Body: Brass CW510L - Pb ≤ 0.1%
- 2 Seals: NBR - EPDM - FKM
- 3 Armature tube: Brass
- 4 Fixed and mobile core: Stainless steel AISI 430FR
- 5 Springs: Stainless steel

Materialien und Komponenten

DE

- 1 Körper: Messing CW510L - Pb ≤ 0.1%
- 2 Dichtung: NBR - EPDM - FKM
- 3 Führungsrohr: Messing
- 4 Kern: Edelstahl AISI 430FR
- 5 Feder: Edelstahl

Matériaux et Composants

FR

- 1 Corps: Laiton CW510L - Pb ≤ 0.1%
- 2 Joints: NBR - EPDM - FKM
- 3 Tube de pilotage: Laiton
- 4 Noyau: Acier inox AISI 430FR
- 5 Ressort: Acier inox

Materiales y componentes

ES

- 1 Cuerpo: Latón CW510L - Pb ≤ 0.1%
- 2 Juntas: NBR - EPDM - FKM
- 3 Tubo guía: Latón
- 4 Núcleo fijo y móvil: Acero inox AISI 430FR
- 5 Muelle: Acero inox

Materials e Componentes

PT

- 1 Corpo: Latão CW510L - Pb ≤ 0.1%
- 2 Vedações: NBR - EPDM - FKM
- 3 Tubo Guia: Latão
- 4 Núcleo fixo e móvel I: Aço-inox AISI 430FR
- 5 Mola: Aço-inox



Pressione massima ammissibile

- Maximum allowable pressure
- Max. Betriebsdruck
- Pression de service max.
- Presión máxima admisible
- Pressão máxima admissível

50 bar



Tabella compatibilità e materiali

- Compatibility and materials table
- Beständigkeitsübersicht
- Tableau de compatibilité des matériaux
- Tabla de compatibilidad de materiales
- Tabela de compatibilidade química

Pag. 0.21 - 0.22



Temperatura ambiente con bobine in classe H

- Room temperature with coil class H
- Raumtemperatur, mit Spule der Klasse H
- Température ambiante, avec bobine classe H
- Temperatura ambiente con bobina classe H
- Temperatura ambiente com bobina de classe H

**- 10 °C
+ 80 °C**

OPZIONI SU RICHIESTA - OPTIONS ON REQUEST - OPTIONEN AUF ANFRAGE - OPTIONS SUR DEMANDE - OPCIONES BAJO PEDIDO - OPÇÕES SOB ENCOMENDA

*Tubo guida in Acciaio Inox - Stainless Steel armature tube - Führungsrohr aus Edelstahl
Tube de pilotage en Acier Inox - Tubo guíae en Acero Inox - Tubo Guia de Aço-Inox*

*Versione idonea per utilizzo con ossigeno industriale - Version suitable for use with industrial oxygen - Version für industrie sauerstoff
Version adaptée à une utilisation avec de l'oxygène industriel - Versión idónea para el uso con oxígeno industrial - Versão adequada para utilização com oxigênio industrial*

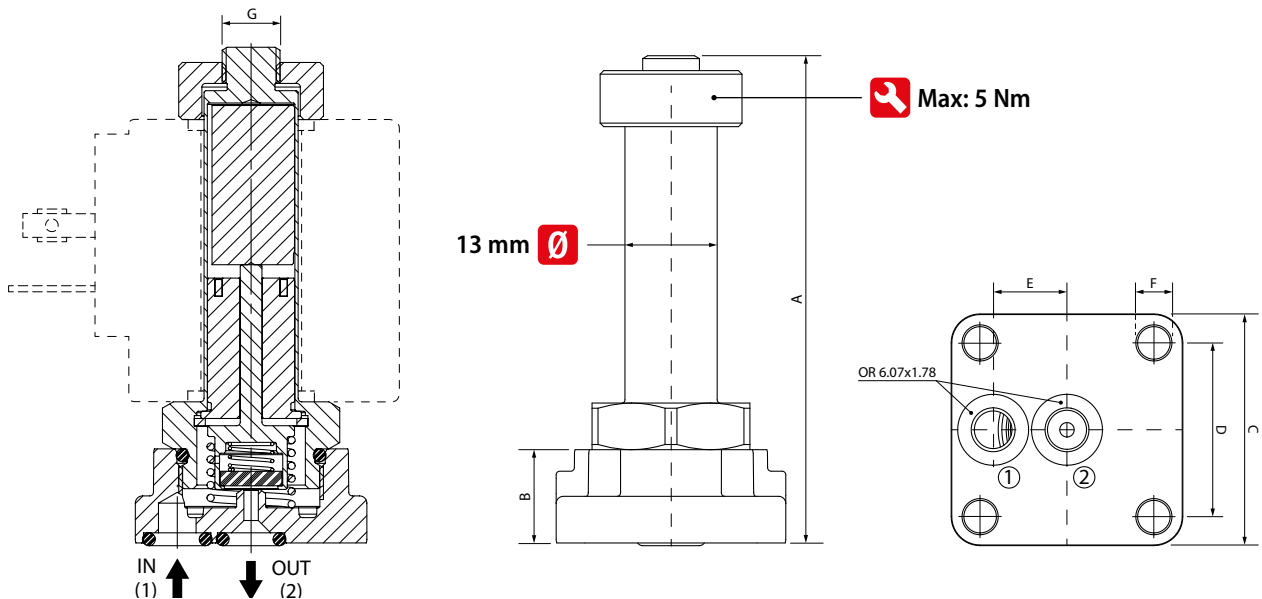
*Trattamento superficiale di nichelatura chimica componenti in ottone - Chemical nickel plating treatment for brass components - Chemische vernickelung Messingkomponenten
Traitement surface nickelage chimique composants laiton - Tratamiento superficial niquelatura química componentes latón - Tratamento superficial niquelação química componentes latão*

Code	Materiale tenute Sealing materials Dichtungswerkstoffe Matériau joint Material juntas Material das vedações	Conessioni Port size Verbindungen Connexions Conexiones Conexões	Ø Orifizio Ø Orifice Ø Dn Ø Passage Ø Orificio Ø Orificio	Viscosità Viscosity Viskosität Viscosité Viscosidad Viscosidade	Kv	Pressione differenziale (OPD) Differential pressure (OPD) Differenzdruck (OPD) Pression différentielle (OPD) Presión diferencial (OPD) Pressão diferencial (OPD)			Potenza Power Leistung Puissance Potencia		Bobine Coils Spulen Bobines Bobinas	
						mm	cSt	m³/h	Min	Max DC	Max AC	DC W
F2F J9 2 15 _ 0	N = NBR -10°C +90°C	□ 32x32 mm	1.5	25	0.06	0	-	25	-	14	30	C - SOL20
F2F J9 2 02 _ 0							25	25	21	30	D - SOL20	
F2F J9 2 25 _ 0							25	25	31	36	E - SOL21	
F2F J9 2 03 _ 0							-	18	-	14	30	C - SOL20
F2F J9 2 04 _ 0							18	18	21	30	D - SOL20	
							18	18	31	36	E - SOL21	
							-	12	-	14	30	C - SOL20
							12	12	21	30	D - SOL20	
							12	12	31	36	E - SOL21	
							-	7.5	-	14	30	C - SOL20
							7.5	7.5	21	30	D - SOL20	
							7.5	7.5	31	36	E - SOL21	
							-	4.5	-	14	30	C - SOL20
							4.5	4.5	21	30	D - SOL20	
							4.5	4.5	31	36	E - SOL21	

① Selezionare tenuta - Select seal material - Wählen Sie das Dichtungsmaterial aus - Sélectionner matériau d'étanchéité - Seleccionar material sellado - Seleccionar material de vedação

EPDM - P max= 2.5 bar: Con vapore - With steam - Mit dampf - Avec vapeur - Con vapor - Com vapor

Bobina non inclusa - Coil not included - Magnetspulen separat - Bobines non incluse - Bobina no incluida - Bobinas não incluidas



Size	A	B	C	D	E	F	G
□ 32x32 mm	68.5	13	32	24	10.2	4.5	M8 x 1

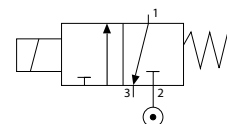
SERIE F2F

ELETTROVALVOLE AD AZIONAMENTO DIRETTO CON FISSAGGIO A FLANGIA E CORPO IN OTTONE CW510L

DIRECT ACTING SOLENOID VALVES WITH FLANGE FIXING AND BRASS CW510L BODY
 MAGNETVENTILE MIT DIREKTER BETÄTIGUNG FLANSCHBEFESTIGUNG UND MESSINGGEHÄUSE CW510L
 ELECTROVANNES A ACTIONNEMENT DIRECT AVEC FIXATION DE LA BRIDE ET CORPS EN LAITON CW510L
 ELECTROVÁLVULAS DE ACCIONAMIENTO DIRECTO CON FIJACIÓN DE BRIDA Y CUERPO DE LATÓN CW510L
 ELETRÓVALVULAS DE ACIONAMENTO DIRETO COM FIXAÇÃO DE FLANGE E CORPO DE LATÃO CW510L

3/2 NC

32 x 32 mm



**CW510L
Pb ≤ 0.1%**

Materiali e Componenti	IT	Materials and Components	GB	Materialien und Komponenten	DE
1 Corpo: Ottone CW510L - Pb ≤ 0.1% 2 Tenute: NBR - EPDM - FKM - RUBY 3 Tubo guida: Acciaio Inox 4 Nucleo fisso e mobile: Acciaio Inox AISI 430FR 5 Molle: Acciaio Inox		1 Body: Brass CW510L - Pb ≤ 0.1% 2 Seals: NBR - EPDM - FKM - RUBY 3 Armature tube: Stainless steel 4 Fixed and mobile core: Stainless steel AISI 430FR 5 Springs: Stainless steel		1 Körper: Messing CW510L - Pb ≤ 0.1% 2 Dichtung: NBR - EPDM - FKM - RUBY 3 Führungsrohr: Edelstahl 4 Kern: Edelstahl AISI 430FR 5 Feder: Edelstahl	
Matériaux et Composants	FR	Materiales y componentes	ES	Materialis e Componentes	PT
1 Corps: Laiton CW510L - Pb ≤ 0.1% 2 Joints: NBR - EPDM - FKM - RUBY 3 Tube de pilotage: Acier inox 4 Noyau: Acier inox AISI 430FR 5 Ressort: Acier inox		1 Cuerpo: Latón CW510L - Pb ≤ 0.1% 2 Juntas: NBR - EPDM - FKM - RUBY 3 Tubo guía: Acero inox 4 Núcleo fijo y móvil: Acero inox AISI 430FR 5 Muelle: Acero inox		1 Corpo: Latão CW510L - Pb ≤ 0.1% 2 Vedações: NBR - EPDM - FKM - RUBY 3 Tubo Guia: Aço-inox 4 Núcleo fixo e móvel I: Aço-inox AISI 430FR 5 Mola: Aço-inox	



Pressione massima ammissibile
 Maximum allowable pressure
 Max. Betriebsdruck
 Pression de service max.
 Presión máxima admisible
 Pressão máxima admissível

50 bar



Tabella compatibilità e materiali
 Compatibility and materials table
 Beständigkeitsübersicht
 Tableau de compatibilité des matériaux
 Tabla de compatibilidad de materiales
 Tabela de compatibilidade química

Pag. 0.21 - 0.22



Temperatura ambiente con bobine in classe H
 Room temperature with coil class H
 Raumtemperatur, mit Spule der Klasse H
 Température ambiante, avec bobine classe H
 Temperatura ambiente con bobina classe H
 Temperatura ambiente com bobina de classe H

**- 10 °C
+ 80 °C**

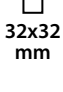
OPZIONI SU RICHIESTA - OPTIONS ON REQUEST - OPTIONEN AUF ANFRAGE - OPTIONS SUR DEMANDE - OPCIONES BAJO PEDIDO - OPÇÕES SOB ENCOMENDA

Comando manuale - Manual override - Handbetätigung
 Commande manuelle - Comando manual - Acionamento manual

Sede in Acciaio Inox - Stainless Steel seat - Sitz aus Edestahl
 Siège en Acier Inoxydable - Asiento en Acero Inoxidable - Sede in Acciaio Inox

Versione idonea per utilizzo con ossigeno industriale - Version suitable for use with industrial oxygen - Version für industrie sauerstoff
 Version adaptée à une utilisation avec de l'oxygène industriel - Versión idónea para el uso con oxígeno industrial - Versão adequada para utilização com oxigênio industrial

Trattamento superficiale di nichelatura chimica componenti in ottone - Chemical nickel plating treatment for brass components - Chemische vernickelung Messingkomponenten
 Traitement surface nickelage chimique composants laiton - Tratamiento superficial niquelatura química componentes latón - Tratamento superficial niquelação química componentes latão

Code	Materiale tenute Sealing materials Dichtungswerkstoffe Matériau joint Material juntas Material das vedações	Conessioni Port size Verbindungen Connexions Conexiones Conexões	Ø Orifizio		Viscosità Viscosity Viskosität Viscosité Viscosidad Viscosidade	Kv	Pressione differenziale (OPD)			Potenza		Bobine								
			Ø Orifice	Ø Dn			Differential pressure (OPD)	Differenzdruck (OPD)	Pression différentielle (OPD)	Pressión diferencial (OPD)	Pressão diferencial (OPD)	Power	Leistung	Puisseance	Potencia	Coils	Spulen	Bobines	Bobinas	Bobinas
			Ø Passage	Ø Orificio																
			mm			m³/h		Bar												
			IN	EXH	cSt	IN	EXH	Min	Max DC	Max AC										
F2F J9 3 15 _ 0	N = NBR -10°C +90°C	 32x32 mm	1.5	2.3	25	0.06	0.13	0	25 (15)*	25 (15)*	8	14	30	C - SOL20						
F2F J9 3 02 _ 0			2	2.3	37	0.10	0.13	0	25 (15)*	25 (15)*	14	21	30	D - SOL20						
F2F J9 3 25 _ 0	V = FKM -10°C +140°C		2.5	2.3	37	0.15	0.13	0	25 (15)*	25 (15)*	22	31	36	E - SOL21						
F2F J9 3 03 _ 0			E = EPDM -10°C +140°C	3	2.3	37	0.21	0.13	0	18 (10)*	18 (10)*	8	14	30	C - SOL20					
F2F J9 3 03 _ 0	R = RUBY * -40°C +180°C			3	2.3	37	0.21	0.13	0	18 (10)*	18 (10)*	14	21	30	D - SOL20					
F2F J9 3 04 _ 0		4	2.3	37	0.35	0.13	0	18 (10)*	18 (10)*	22	31	36	E - SOL21							
									13 (6)*	13 (6)*	8	14	30	C - SOL20						
									13 (6)*	13 (6)*	14	21	30	D - SOL20						
									13 (6)*	13 (6)*	22	31	36	E - SOL21						
									10	10	8	14	30	C - SOL20						
									10	10	14	21	30	D - SOL20						
									10	10	22	31	36	E - SOL21						
									6	6	8	14	30	C - SOL20						
									6	6	14	21	30	D - SOL20						
									6	6	22	31	36	E - SOL21						

① Selezionare tenuta - Select seal material - Wählen Sie das Dichtungsmaterial aus - Sélectionner matériau d'étanchéité - Seleccionar material sellado - Seleccionar material de vedação

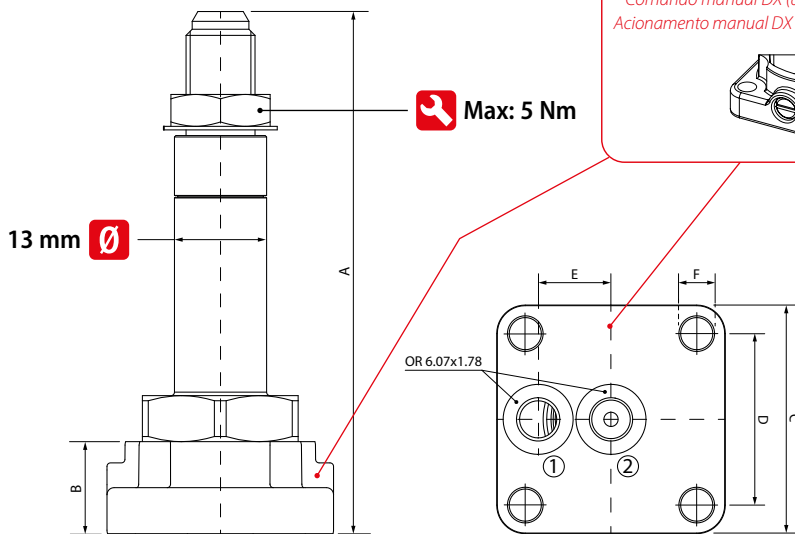
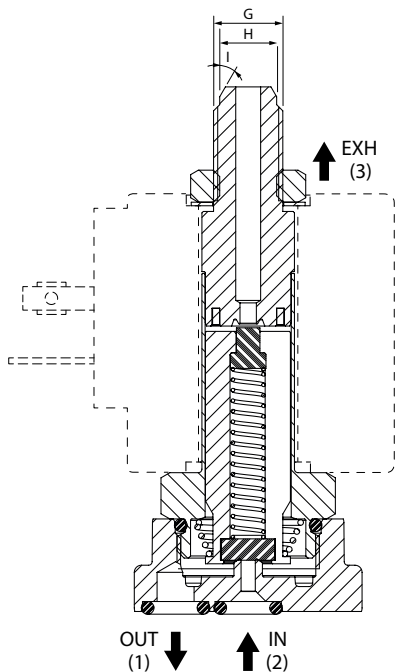
EPDM - P max = 2.5 bar / RUBY - P max = 10 bar: Con vapore - With steam - Mit dampf - Avec vapeur - Con vapor - Com vapor

RUBY = max 300 cm³/h: Perdita ammessa - Allowable leakage - Zulässige leakage - Fuite admissible - Fuga permitida - Vazamento permitido

* RUBY - max Ø 2.5 mm: Solo sede Inox - Only with stainless steel seat - Nur mit edelstahlsitz - Avec siège inox - Solo con asiento inox - Apenas com assento em aço

* (_) : Prestazioni con Rubino - Performance with Ruby - Leistung mit Ruby - Performance avec Ruby - Actuación con Ruby - Desempenho com Ruby

Bobina non inclusa - Coil not included - Magnetspulen separat - Bobines non incluse - Bobina no incluida - Bobinas não incluídas



Comando manuale DX (su richiesta)
 Manual override DX (on request)
 Handbetätigung DX (auf Anfrage)
 Commande manuelle DX (sur demande)
 Comando manual DX (a petición)
 Acionamento manual DX (a pedido)

Size	A	B	C	D	E	F	G	H	I
 32x32 mm	73.7	13	32	24	10.2	4.5	1/8"	Ø 8	30°

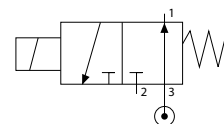
SERIE F2F

ELETTROVALVOLE AD AZIONAMENTO DIRETTO CON FISSAGGIO A FLANGIA E CORPO IN OTTONE CW510L

DIRECT ACTING SOLENOID VALVES WITH FLANGE FIXING AND BRASS CW510L BODY
 MAGNETVENTILE MIT DIREKTER BETÄTIGUNG FLANSCHBEFESTIGUNG UND MESSINGGEHÄUSE CW510L
 ELECTROVANNES A ACTIONNEMENT DIRECT AVEC FIXATION DE LA BRIDE ET CORPS EN LAITON CW510L
 ELECTROVÁLVULAS DE ACCIONAMIENTO DIRECTO CON FIJACIÓN DE BRIDA Y CUERPO DE LATÓN CW510L
 ELETRÓVALVULAS DE ACIONAMENTO DIRETO COM FIXAÇÃO DE FLANGE E CORPO DE LATÃO CW510L

3/2 NO

32 x 32 mm



**CW510L
Pb ≤ 0.1%**

Materiali e Componenti	IT	Materials and Components	GB	Materialien und Komponenten	DE
1 Corpo: Ottone CW510L - Pb ≤ 0.1% 2 Tenute: NBR - EPDM - FKM 3 Tubo guida: Acciaio Inox 4 Nucleo fisso e mobile: Acciaio Inox AISI 430FR 5 Molle: Acciaio Inox		1 Body: Brass CW510L - Pb ≤ 0.1% 2 Seals: NBR - EPDM - FKM 3 Armature tube: Stainless steel 4 Fixed and mobile core: Stainless steel AISI 430FR 5 Springs: Stainless steel		1 Körper: Messing CW510L - Pb ≤ 0.1% 2 Dichtung: NBR - EPDM - FKM 3 Führungsrohr: Edelstahl 4 Kern: Edelstahl AISI 430FR 5 Feder: Edelstahl	
Matériaux et Composants	FR	Materiales y componentes	ES	Materialis e Componentes	PT
1 Corps: Laiton CW510L - Pb ≤ 0.1% 2 Joints: NBR - EPDM - FKM 3 Tube de pilotage: Acier inox 4 Noyau: Acier inox AISI 430FR 5 Ressort: Acier inox		1 Cuerpo: Latón CW510L - Pb ≤ 0.1% 2 Juntas: NBR - EPDM - FKM 3 Tubo guía: Acero inox 4 Núcleo fijo y móvil: Acero inox AISI 430FR 5 Muelle: Acero inox		1 Corpo: Latão CW510L - Pb ≤ 0.1% 2 Vedações: NBR - EPDM - FKM 3 Tubo Guia: Aço-inox 4 Núcleo fixo e móvel I: Aço-inox AISI 430FR 5 Mola: Aço-inox	



Pressione massima ammissibile
 Maximum allowable pressure
 Max. Betriebsdruck
 Pression de service max.
 Presión máxima admisible
 Pressão máxima admissível

50 bar



Tabella compatibilità e materiali
 Compatibility and materials table
 Beständigkeitsübersicht
 Tableau de compatibilité des matériaux
 Tabla de compatibilidad de materiales
 Tabela de compatibilidade química

Pag. 0.21 - 0.22



Temperatura ambiente con bobine in classe H
 Room temperature with coil class H
 Raumtemperatur, mit Spule der Klasse H
 Température ambiante, avec bobine classe H
 Temperatura ambiente con bobina classe H
 Temperatura ambiente com bobina de classe H

**- 10 °C
+ 80 °C**

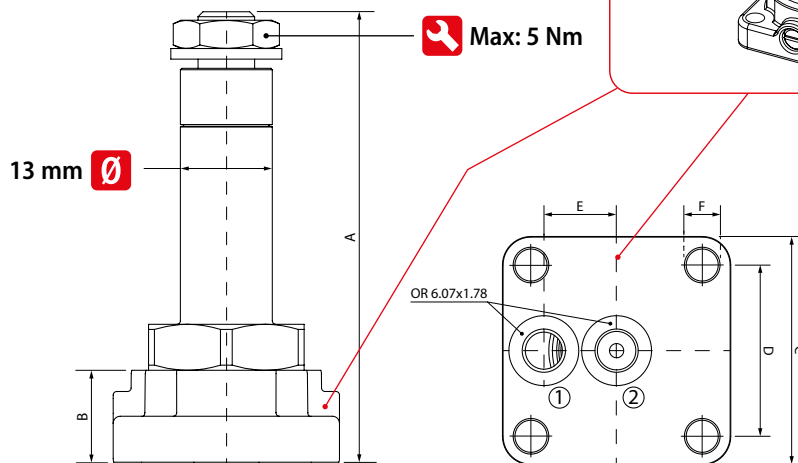
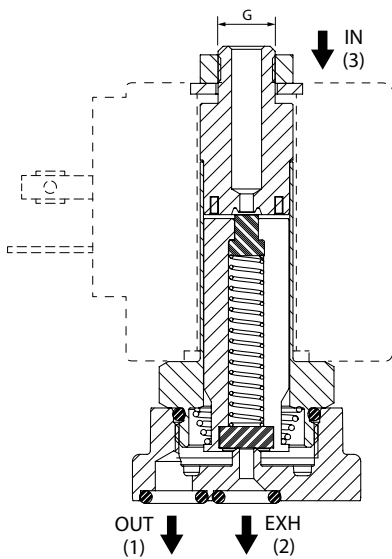
OPZIONI SU RICHIESTA - OPTIONS ON REQUEST - OPTIONEN AUF ANFRAGE - OPTIONS SUR DEMANDE - OPCIONES BAJO PEDIDO - OPÇÕES SOB ENCOMENDA
Comando manuale - Manual override - Handbetätigung Commande manuelle - Comando manual - Acionamento manual
Sede in Acciaio Inox - Stainless Steel seat - Sitz aus Edestahl Siège en Acier Inoxydable - Asiento en Acero Inoxidable - Sede in Acciaio Inox
Versione idonea per utilizzo con ossigeno industriale - Version suitable for use with industrial oxygen - Version für industrie sauerstoff Version adaptée à une utilisation avec de l'oxygène industriel - Versión idónea para el uso con oxígeno industrial - Versão adequada para utilização com oxigênio industrial
Trattamento superficiale di nichelatura chimica componenti in ottone - Chemical nickel plating treatment for brass components - Chemische vernickelung Messingkomponenten Traitement surface nickelage chimique composants laiton - Tratamiento superficial niquelatura química componentes latón - Tratamento superficial niquelação química componentes latão

Code	Materiale tenute Sealing materials Dichtungswerkstoffe Matériau joint Material juntas Material das vedações	Conessioni Port size Verbindungen Connexions Conexiones Conexões	Ø Orifizio Ø Orifice Ø Dn Ø Passage Ø Orificio Ø Orificio		Viscosità Viscosity Viskosität Viscosité Viscosidad Viscosidade	Kv	Pressione differenziale (OPD) Differential pressure (OPD) Differenzdruck (OPD) Pression différentielle (OPD) Presión diferencial (OPD) Pressão diferencial (OPD)			Potenza Power Leistung Puissance Potencia Potência		Bobine Coils Spulen Bobines Bobinas Bobinas				
			mm				cSt	m³/h		Bar			DC	AC	Size	Serie C - pag. 19.5 D - pag. 19.6 E - pag. 19.7
			IN	EXH				IN	EXH	Min	Max DC	Max AC	W	VA	mm	
F2F J9 4 15 _ 0	N = NBR -10°C +90°C	32x32 mm	1.9	1.5	25	0.10	0.06	0	15	15	8	14	30	C - SOL20		
F2F J9 4 02 _ 0			15	15	0	15	15	8	14	30	C - SOL20					
			15	15												
			15	15												
F2F J9 4 25 _ 0			1.9	2	37	0.10	0.10	0	15	15	14	21	30	D - SOL20		
			F2F J9 4 03 _ 0	15	15	0	15	15	8	14	30	C - SOL20				
				15	15											
15				15												
F2F J9 4 04 _ 0			1.9	2.5	37	0.10	0.15	0	15	15	14	21	30	D - SOL20		
			F2F J9 4 03 _ 0	15	15	0	15	15	8	14	30	C - SOL20				
				15	15											
15				15												
F2F J9 4 03 _ 0	1.9	3	37	0.10	0.21	0	10	15	8	14	30	C - SOL20				
	F2F J9 4 03 _ 0	15	15	0	15	15	8	14	30	C - SOL20						
		15	15													
15		15														
F2F J9 4 04 _ 0	1.9	4	37	0.10	0.35	0	4	10	8	14	30	C - SOL20				
	F2F J9 4 04 _ 0	15	15	0	15	15	8	14	30	C - SOL20						
		7	15													
13		15														
F2F J9 4 04 _ 0	15	15	0	15	15	8	14	30	C - SOL20							
	15	15														
	15	15														

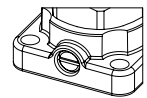
① **Selezionare tenuta - Select seal material - Wählen Sie das Dichtungsmaterial aus - Sélectionner matériau d'étanchéité - Seleccionar material sellado - Seleccionar material de vedação**

EPDM - P max= 2.5 bar: Con vapore - With steam - Mit dampf - Avec vapeur - Con vapor - Com vapor

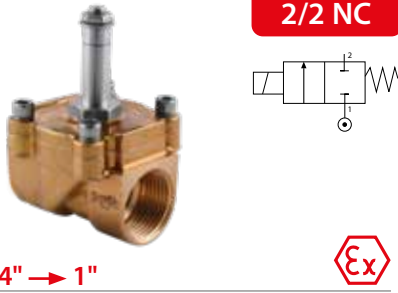
Bobina non inclusa - Coil not included - Magnetspulen separat - Bobines non incluse - Bobina no incluida - Bobinas não incluídas



Comando manuale DX (su richiesta)
Manual override DX (on request)
Handbetätigung DX (auf Anfrage)
Commande manuelle DX (sur demande)
Comando manual DX (a petición)
Acionamento manual DX (a pedido)



Size	A	B	C	D	E	F	G	H
32x32 mm	63.7	13	32	24	10.2	4.5	M8 x 1	M5



2/2 NC

1/4" → 1"

Pag. 11.4

Ex



30 mm

Serie C

Pag. 19.5

C UL US
CSA C22.2



30 mm

Serie D

Pag. 19.6

C UL US
CSA C22.2



36 mm

Serie E

Pag. 19.7

C UL US
CSA C22.2



Connectors

Pag. 19.9 / 19.10

C UL US
CSA C22.2

Aignep si riserva il diritto di variare modelli e ingombri senza preavviso - Aignep reserves the right to vary models and dimensions without notice - Aignep behält sich das Recht vor, Daten ohne Ankündigung zu ändern
 Aignep se réserve le droit de modifier les données sans préavis - Aignep reserva-se o direito de alterar os modelos e dimensões sem prévio aviso

ELETTROVALVOLE A MEMBRANA GUIDATA CON CORPO IN OTTONE

GUIDED DIAPHRAGM SOLENOID VALVES WITH BRASS BODY

GEFÜHRTE MEMBRAN-MAGNETVENTILE MIT MESSINGGEHÄUSE

ÉLECTROVANNES À MEMBRANE GUIDÉE AVEC CORPS EN LAITON

ELECTROVALVULAS DE MEMBRANA GUIADA CON CUERPO DE LATÓN

ELETROVÁLVULAS DE MEMBRANA GUIADA COM CORPO DE LATÃO



II 2 G/D Ex h



CSA C22.2



$\Delta P = 0$ bar

Long Life

Heavy Duty

Le elettrovalvole serie 03F – disponibili nella versione a membrana guidata con corpo filettato in ottone – combinano i principi di funzionamento delle valvole ad azionamento diretto e servo-azionate offrendo prestazioni uniche.

Le caratteristiche costruttive consentono a queste valvole di lavorare in condizioni gravose e con vita utile 5 volte superiore alle tradizionali elettrovalvole, garantendo prestazioni durature nel tempo.

L'apertura parziale è assicurata anche con $\Delta P = 0$ bar, tuttavia per un'apertura totale è necessario un $\Delta P > 0$ bar.

Principali vantaggi

- Connessioni da 1/4" a 1"
- Orifici dal \varnothing 10 mm al \varnothing 25 mm
- Pressioni di lavoro fino a 25 bar
- $\Delta P = 0$ bar
- Utilizzo in condizioni gravose
- Versione dedicata per utilizzo con vuoto
- Grado di protezione IP67 con connettore e kit antiumidità

Applicazioni

- Acqua, Liquidi neutri, Oli
- Autolavaggi, Sistemi di lavaggio
- Processi industriali, Scarico serbatoi
- Aria e Gas inerti
- Vuoto, Packaging, Confezionamento
- Ossigeno, Vapore, Medicaie, Sterilizzatori

Les électrovannes de la série 03F – disponibles en version membrane guidée avec corps fileté en laiton – combinent les principes de fonctionnement des vannes à commande directe et servo-assistées, en offrant des performances uniques.

Les caractéristiques de construction permettent à ces vannes de fonctionner dans des conditions difficiles et avec une durée de vie 5 fois supérieure aux électrovannes traditionnelles, garantissant des performances durables.

L'ouverture partielle est également assurée avec $\Delta P = 0$ bar, mais pour une ouverture complète, $\Delta P > 0$ bar est nécessaire.

Principaux avantages

- Connexions de 1/4" à 1"
- Orifices de \varnothing 10 mm à \varnothing 25 mm
- Pression jusqu'à 25 bar
- $\Delta P = 0$ bar
- Utilisation dans des conditions difficiles
- Version dédiée pour une utilisation pour le vide
- Degré de protection IP67 avec connecteur et kit anti-humidité

Applications

- Eau, Liquides neutres, Huiles
- Lavages de voitures, Systèmes de lavage
- Process industriels, Vidange de réservoir
- Air et gaz inertes
- Vide, Conditionnement
- Oxygène, Vapeur, Médical, Stérilisateurs

The 03F series solenoid valves – available in guided diaphragm version with brass threaded body – combine the operating principles of direct acting and servo-assisted valves, by offering unique performance.

The construction features allow these valves to work in harsh conditions and with a useful life 5 times higher than traditional solenoid valves, guaranteeing long-lasting performance.

Partial opening is ensured also with $\Delta P = 0$ bar, however for full opening $\Delta P > 0$ bar is required.

Main advantages

- Connections from 1/4" to 1"
- Orifices from \varnothing 10 mm up to \varnothing 25 mm
- Working pressures up to 25 bar
- $\Delta P = 0$ bar
- Use in harsh conditions
- Dedicated version for use with vacuum
- IP67 protection degree with connector and anti-humidity kit

Applications

- Water, Neutral liquids, Oils
- Car washes, Washing systems
- Industrial processes, Tank draining
- Air and Inert gases
- Vacuum, Packaging
- Oxygen, Steam, Medical, Sterilizers

Las electroválvulas de la serie 03F, disponibles en versiones de membrana guiada con cuerpo roscado de latón, combinan los principios de funcionamiento de las válvulas de acción directa y servoasistidas, ofreciendo un rendimiento único.

Las características de construcción permiten que estas válvulas trabajen en condiciones duras y con una vida útil 5 veces superior a las electroválvulas tradicionales, garantizando un rendimiento duradero.

La apertura parcial también está garantizada con $\Delta P = 0$ bar, sin embargo, para la apertura total se requiere $\Delta P > 0$ bar.

Principales ventajas

- Conexiones de 1/4" a 1"
- Orificios desde \varnothing 10 mm hasta \varnothing 25 mm
- Presiones de trabajo hasta 25 bar
- $\Delta P = 0$ bar
- Uso en condiciones extremas
- Versión dedicada para uso con vacío
- Grado de protección IP67 con conector y kit antihumedad

Aplicaciones

- Agua, Líquidos neutros, Aceites
- Lavado de autos, Sistemas de lavado
- Procesos industriales, Vaciado de tanques
- Aire y gases inertes
- Vacío, Envasado
- Oxígeno, Vapor, Médico, Esterilizadores

Die Magnetventile der Serie 03F - erhältlich in den Ausführungen mit geführter Membrane, vereinen die Funktionsprinzipien von direktwirkenden und vorgesteuerten Ventilen und bieten einzigartige Leistungen.

Dank ihrer Konstruktionsmerkmale können diese Ventile auch unter rauen Bedingungen eingesetzt werden und haben eine 5-mal höhere Lebensdauer als herkömmliche Magnetventile, was eine lange Betriebszeit garantiert. Eine teilweise Öffnung ist auch bei $\Delta P = 0$ bar gewährleistet, für eine vollständige Öffnung ist jedoch $\Delta P > 0$ bar erforderlich.

Vorteile

- Anschlüsse von 1/4" bis 1"
- Öffnungen von \varnothing 10 mm bis zu \varnothing 25 mm
- Arbeitsdrücke bis 25 bar
- $\Delta P = 0$ bar
- Einsatz unter rauen Bedingungen
- Spezielle Version für den Einsatz mit Vakuum
- Schutzart IP67 mit Anschlussstück und Feuchtigkeitsschutz-Kit

Anwendungen

- Wasser, neutrale Flüssigkeiten, Öle
- Autowaschanlagen, Waschanlagen
- Industrielle Prozesse, Tankentleerung
- Luft und Inertegase
- Vakuum, Verpackung
- Sauerstoff, Dampf, Medizin, Sterilisatoren

As válvulas solenóides da série 03F – disponíveis nas versões de diafragma guiado, com corpo roscado em latão – combinam os princípios de funcionamento das válvulas de ação direta e servo-assistida, oferecendo um desempenho único.

As características construtivas permitem que essas válvulas trabalhem em condições adversas e com uma vida útil 5 vezes maior que as válvulas solenóides tradicionais, garantindo desempenho duradouro.

A abertura parcial também é assegurada com $\Delta P = 0$ bar, porém para uma abertura total é necessário $\Delta P > 0$ bar.

Principais vantagens

- Conexões de 1/4" a 1"
- Orifícios de \varnothing 10 mm até \varnothing 25 mm
- Pressões de trabalho até 25 bar
- $\Delta P = 0$ bar
- Uso em condições adversas
- Versão dedicada para aplicação com vácuo
- Grau de proteção IP67 com conector e kit anti-umidade

Aplicações

- Água, líquidos neutros, óleos
- Lavagens de carros, Sistemas de limpeza e lavagem geral
- Processos industriais, Drenagem de tanques
- Ar e gases inertes
- Embalagem a vácuo
- Oxigênio, Vapor, Médico, Esterilizadores



Caratteristiche generali - 03F IT - Posizione di montaggio consigliata orizzontale - Kit operatore Ø 13 mm - Certificazione valvole: ATEX II 2G/D Ex h - Bobine: classe H - - CSA C22.2	General features - 03F GB - Recommended horizontal mounting position - Operator kit Ø 13 mm - ATEX II 2G/D Ex h certification - Coils: Class H - - CSA C22.2	Eigenschaften - 03F DE - Horizontale Einbaulage empfohlen - Bausatz Ø 13 mm - ATEX II 2G/D Ex h zulassung - Spulenklasse H - - CSA C22.2
Caractéristiques générales - 03F FR - Position de montage horizontale recommandée - Kit Pilote Ø 13 mm - Certification ATEX II 2G/D Ex h - Bobine: classe H - - CSA C22.2	Características generales - 03F ES - Posición de montaje recomendada horizontal - Kit operador Ø 13 mm - Certificación ATEX II 2G/D Ex h - Bobinas: clase H - - CSA C22.2	Características gerais - 03F PT - Posição de montagem aconselhada horizontal - Kit do operador Ø 13 mm - Certificação ATEX II 2G/D Ex h - Bobinas: classe H - - CSA C22.2

Tabella dei codici di ordinazione

Ordering codes

Bestellschlüssel

Composition de la référence de commande

Tabla para definición de código

Tabela de código de compra

SERIE	Connessione Port size Masse Dimension Tamaño Tamanho	Funzione Functions Funktion Fonctions Función Funções	Orifizio Orifice Dn Passage Orifizio Orifício	Materiale guarnizioni Sealing materials Dichtungswerkstoffe Matériaux des joints Material juntas Material das vedações	Versione Version Ausführung Version Versión Versão	Filettatura Thread Gewinde Filetage Rosca Rosca
-------	---	--	--	---	---	--

0	3	F	0	3	1	1	0	N	0	<input type="checkbox"/>
03 = 1/4"	04 = 3/8"	05 = 1/2"	07 = 3/4"	09 = 1"	1 = 2/2 NC	1 = 10 mm	0 = Standard	N = NBR	0 = Standard	<input type="checkbox"/>
					Normalmente chiusa Normally closed Normalerweise geschlossen Normalement fermée Normalmente cerrada Normalmente fechada	14 = 14 mm		E = EPDM		= Gas
						18 = 18 mm		V = FKM		N = NPTF
						25 = 25 mm				

BOBINE: SERIE C, D, E COILS: SERIES C, D, E SPULEN: SERIES C, D, E BOBINES: SÉRIES C, D, E BOBINAS: SERIES C, D, E BOBINAS: SÉRIES C, D, E	PAG: 19.5 / 19.6 / 19.7 PAG: 19.5 / 19.6 / 19.7 PAG: 19.5 / 19.6 / 19.7 PAG: 19.5 / 19.6 / 19.7 PAG: 19.5 / 19.6 / 19.7 PAG: 19.5 / 19.6 / 19.7	CONNETTORI CONNECTORS STECKER CONNECTEURS CONECTORES CONECTORES	PAG: 19.10 PAG: 19.10 PAG: 19.10 PAG: 19.10 PAG: 19.10 PAG: 19.10
--	---	---	---

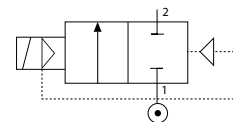
SERIE 03F

ELETTROVALVOLE A MEMBRANA GUIDATA - $\Delta P = 0$ bar (per apertura completa membrana $\Delta P > 0$ bar)

- GUIDED DIAPHRAGM SOLENOID VALVES - $\Delta P = 0$ bar (complete diaphragm opening $\Delta P > 0$ bar)
- GEFÜHRTE MEMBRAN-MAGNETVENTILE - $\Delta P = 0$ bar (zum vollständige Membranöffnung $\Delta p > 0$ bar)
- ÉLECTROVANNES À MEMBRANE GUIDÉE - $\Delta P = 0$ bar (pour diaphragme ouverture complete $\Delta p > 0$ bar)
- ELECTROVALVULAS DE MEMBRANA GUIADA - $\Delta P = 0$ bar (para apertura completa de la membrana $\Delta p > 0$ bar)
- ELETRÓVALVULAS DE MEMBRANA GUIADA - $\Delta P = 0$ bar (para abertura completa da membrana $\Delta p > 0$ bar)

2/2 NC

1/4" → 1"



$\Delta P = 0$ bar

Long Life

Heavy Duty

Materiali e Componenti

IT

- 1 Corpo: Ottone CW617N
- 2 Tenute: NBR - EPDM - FKM
- 3 Tubo guida: Acciaio Inox
- 4 Nucleo fisso e mobile: Acciaio Inox AISI 430FR
- 5 Molle: Acciaio Inox

Materials and Components

GB

- 1 Body: Brass CW617N
- 2 Seals: NBR - EPDM - FKM
- 3 Armature tube: Stainless steel
- 4 Fixed and mobile core: Stainless steel AISI 430FR
- 5 Springs: Stainless steel

Materialien und Komponenten

DE

- 1 Körper: Messing CW617N
- 2 Dichtung: NBR - EPDM - FKM
- 3 Führungsrohr: Edelstahl
- 4 Kern: Edelstahl AISI 430FR
- 5 Feder: Edelstahl

Matériaux et Composants

FR

- 1 Corps: Laiton CW617N
- 2 Joints: NBR - EPDM - FKM
- 3 Tube de pilotage: Acier inox
- 4 Noyau: Acier inox AISI 430FR
- 5 Ressort: Acier inox

Materiales y componentes

ES

- 1 Cuerpo: Latón CW617N
- 2 Juntas: NBR - EPDM - FKM
- 3 Tubo guía: Acero inox
- 4 Núcleo fijo y móvil: Acero inox AISI 430FR
- 5 Muelle: Acero inox

Materialis e Componentes

PT

- 1 Corpo: Latão CW617N
- 2 Vedações: NBR - EPDM - FKM
- 3 Tubo Guia: Aço-inox
- 4 Núcleo fixo e móvel I: Aço-inox AISI 430FR
- 5 Mola: Aço-inox



Pressione massima ammissibile

Maximum allowable pressure

Max. Betriebsdruck

Pression de service max.

Presión máxima admisible

Pressão máxima admissível

25 bar



Tabella compatibilità e materiali

Compatibility and materials table

Beständigkeitsübersicht

Tableau de compatibilité des matériaux

Tabla de compatibilidad de materiales

Tabela de compatibilidade química

Pag. 0.21 - 0.22



Temperatura ambiente con bobine in classe H

Room temperature with coil class H

Raumtemperatur, mit Spule der Klasse H

Température ambiante, avec bobine classe H

Temperatura ambiente con bobina classe H

Temperatura ambiente com bobina de classe H

**- 10 °C
+ 80 °C**

OPZIONI SU RICHIESTA - OPTIONS ON REQUEST - OPTIONEN AUF ANFRAGE - OPTIONS SUR DEMANDE - OPCIONES BAJO PEDIDO - OPÇÕES SOB ENCOMENDA

Versione idonea per utilizzo con ossigeno industriale - Version suitable for use with industrial oxygen - Version für industrie sauerstoff
Version adaptée à une utilisation avec de l'oxygène industriel - Versión idónea para el uso con oxígeno industrial - Versão adequada para utilização com oxigênio industrial

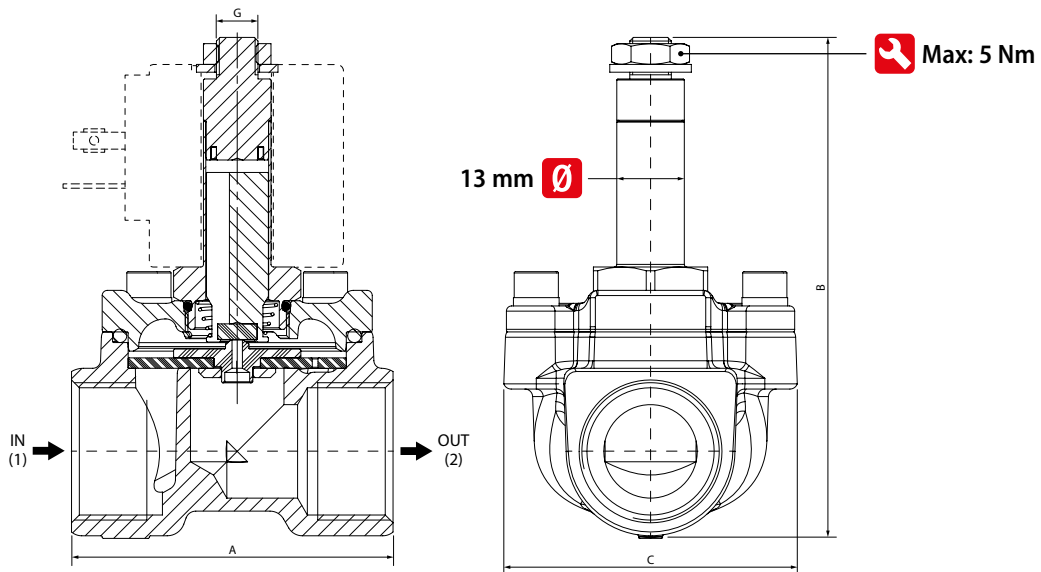
Trattamento superficiale di nichelatura chimica componenti in ottone - Chemical nickel plating treatment for brass components - Chemische vernickelung Messingkomponenten
Traitement surface nickelage chimique composants laiton - Tratamiento superficial niquelatura química componentes latón - Tratamento superficial niquelação química componentes latão

Code	Materiale tenute Sealing materials Dichtungswerkstoffe Matériau joint Material juntas Material das vedações	Connessioni Port size Verbindungen Connexions Conexiones Conexões	Ø Orifizio Ø Orifice Ø Dn Ø Passage Ø Orificio Ø Orificio	Viscosità Viscosity Viskosität Viscosité Viscosidad Viscosidade	Kv	Pressione differenziale (OPD) Differential pressure (OPD) Differenzdruck (OPD) Pression différentielle (OPD) Presión diferencial (OPD) Pressão diferencial (OPD)			Potenza Power Leistung Puissance Potencia		Bobine Coils Spulen Bobines Bobinas Bobinas	
						Bar	DC	AC	W	VA	Size	Serie C - pag. 19.5 D - pag. 19.6 E - pag. 19.7
		ISO 228	mm	cSt	m ³ /h	Min	Max DC	Max AC				
03F 03 1 10 _ 0	N = NBR -10°C +90°C	1/4"	10	25	1.58	0	-	18	-	14	30	C - SOL20
							6	20	14	30	D - SOL20	
							16	25	22	31	36	E - SOL21
03F 04 1 14 _ 0	V = FKM -10°C +140°C	3/8"	14	25	2.73	0	-	18	-	14	30	C - SOL20
							6	20	14	30	D - SOL20	
							16	25	22	31	36	E - SOL21
03F 05 1 14 _ 0	E = EPDM -10°C +140°C	1/2"	14	25	2.75	0	-	18	-	14	30	C - SOL20
							6	20	14	30	D - SOL20	
							16	25	22	31	36	E - SOL21
03F 07 1 18 _ 0		3/4"	18	25	4.08	0	-	18	-	14	30	C - SOL20
							6	20	14	30	D - SOL20	
							16	25	22	31	36	E - SOL21
03F 09 1 25 _ 0		1"	25	25	6.63	0	-	16	-	14	30	C - SOL20
							4	20	14	30	D - SOL20	
							12	25	22	31	36	E - SOL21

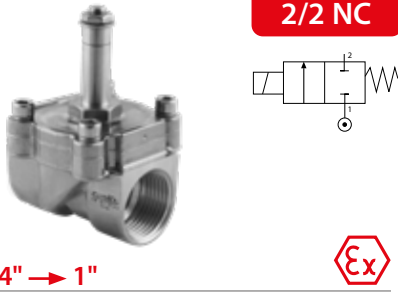
① **Selezionare tenuta** - Select seal material - Wählen Sie das Dichtungsmaterial aus - Sélectionner matériau d'étanchéité - Seleccionar material sellado - Seleccionar material de vedação

EPDM - P max= 2.5 bar: Con vapore - With steam - Mit dampf - Avec vapeur - Con vapor - Com vapor

Bobina non inclusa - Coil not included - Magnetspulen separat - Bobines non incluse - Bobina no incluida - Bobinas não incluidas



Size	A	B	C	G
1/4"	44	84	40	M8 x 1
3/8"	52	91	46.5	M8 x 1
1/2"	52	91	46.5	M8 x 1
3/4"	62	96.5	56.5	M8 x 1
1"	72.5	105	66	M8 x 1



2/2 NC

1/4" → 1"

Pag. 11.4

Ex



30 mm

Serie C

Pag. 19.5

C RU US
CSA C22.2



30 mm

Serie D

Pag. 19.6

C RU US
CSA C22.2



36 mm

Serie E

Pag. 19.7

C RU US
CSA C22.2



Connectors

Pag. 19.9 / 19.10

C RU US
CSA C22.2

ELETTROVALVOLE A MEMBRANA GUIDATA IN ACCIAIO INOX 316L

GUIDED DIAPHRAGM SOLENOID VALVES IN STAINLESS STEEL 316L

GEFÜHRTE MEMBRAN-MAGNETVENTILE MIT EDELSTAHL 316L

ÉLECTROVANNES À MEMBRANE GUIDÉE EN ACIER INOX 316L

ELECTROVALVULAS DE MEMBRANA GUIADA EN ACERO INOX 316L

ELETTROVALVULAS DE MEMBRANA GUIADA EM AÇO INOX 316L

AISI 316L


II 2 G/D Ex h


**C US
CSA C22.2**

$\Delta P = 0$ bar

Long Life

Heavy Duty



Le elettrovalvole serie X3F – a membrana guidata con corpo filettato in acciaio inox 316L – combinano i principi di funzionamento delle valvole ad azionamento diretto e servo-azionate offrendo prestazioni uniche.

Le caratteristiche costruttive consentono a queste valvole di lavorare in condizioni gravose e con vita utile 5 volte superiore alle tradizionali elettrovalvole, garantendo prestazioni durature nel tempo.

L'apertura parziale è assicurata anche con $\Delta P = 0$ bar, tuttavia per un'apertura totale è necessario un $\Delta P > 0$ bar.

Principali vantaggi

- Connessioni da 1/4" a 1"
- Orifici dal \varnothing 10 mm al \varnothing 25 mm
- Pressioni di lavoro fino a 25 bar
- $\Delta P = 0$ bar
- Utilizzo in condizioni gravose
- Contatto con fluidi aggressivi e corrosivi
- Grado di protezione IP67 con connettore e kit antiumidità

Applicazioni

- Acqua, Oli, Liquidi neutri e corrosivi
- Autolavaggi, Sistemi di lavaggio
- Processi industriali, Scarico serbatoi
- Aria, Gas inerti e aggressivi
- Ossigeno, Vapore, Medicale, Sterilizzatori
- Industria Chimica e Petrochimica

The X3F series solenoid valves – guided diaphragm with 316L stainless steel threaded body – combine the operating principles of direct acting and servo-assisted valves, by offering unique performance.

The construction features allow these valves to work in harsh conditions and with a useful life 5 times higher than traditional solenoid valves, guaranteeing long-lasting performance.

Partial opening is ensured also with $\Delta P = 0$ bar, however for full opening $\Delta P > 0$ bar is required.

Main advantages

- Connections from 1/4" to 1"
- Orifices from \varnothing 10 mm up to \varnothing 25 mm
- Working pressures up to 25 bar
- $\Delta P = 0$ bar
- Use in harsh conditions
- Contact with aggressive and corrosive fluids
- IP67 protection degree with connector and anti-humidity kit

Applications

- Water, Oils, Neutral and corrosive liquids
- Car washes, Washing systems
- Industrial processes, Tank draining
- Air, Inert and aggressive gases
- Oxygen, Steam, Medical, Sterilizers
- Chemical and Petrochemical industry

Die Membran-Magnetventile der Serie X3F - mit Gewindekörper aus Edelstahl (316L) - vereinen die Funktionsprinzipien von direktwirkenden und vorgesteuerten Ventilen und bieten eine einzigartige Leistung.

Die Konstruktionsmerkmale ermöglichen den Einsatz dieser Ventile unter rauen Bedingungen und haben eine 5-mal höhere Lebensdauer als herkömmlichen Magnetventilen, was lange Betriebszeiten gewährleistet.

Auch ohne Differenzdruck ($\Delta P = 0$ bar) ist eine Teilweise Öffnung gewährleistet, für eine vollständige Öffnung ist jedoch ein Differenzdruck $\Delta P > 0$ bar erforderlich.

Vorteile

- Anschlüsse von 1/4" bis 1"
- Öffnungen von \varnothing 10 mm bis zu \varnothing 25 mm
- Betriebsdruck bis zu 25 bar
- $\Delta P = 0$ bar
- Einsatz unter rauen Bedingungen
- Kontakt mit aggressiven und korrosiven Fluiden
- IP67 Schutz mit Anschlussstück und Feuchtigkeitsschutz-Kit

Einsatzbereiche

- Wasser, Öle, neutrale und ätzende Flüssigkeiten
- Autowaschanlagen, Waschanlagen
- Industrielle Prozesse, Tankentleerung
- Luft, inerte und aggressive Gase
- Sauerstoff, Dampf, Medizin, Sterilisatoren
- Chemische und petrochemische Industrie

Les électrovannes de la série X3F - membrane guidée avec corps fileté en acier inoxydable 316L - combinent les principes de fonctionnement des vannes à commande directe et servo-assistées, en offrant des performances uniques.

Les caractéristiques de construction permettent à ces électrovannes de fonctionner dans des conditions difficiles et avec une durée de vie 5 fois supérieure aux électrovannes traditionnelles, garantissant des performances durables.

L'ouverture partielle est également assurée avec $\Delta P = 0$ bar, mais pour une ouverture complète, $\Delta P > 0$ bar est nécessaire.

Principaux avantages

- Connexions de 1/4" à 1"
- Orifices de \varnothing 10 mm à \varnothing 25 mm
- Pression jusqu'à 25 bar
- $\Delta P = 0$ bar
- Utilisation dans des conditions difficiles
- Contact avec des fluides agressifs et corrosifs
- Degré de protection IP67 avec connecteur et kit anti-humidité

Applications

- Eau, Huiles, Liquides neutres et corrosifs
- Lavage-autos, Systèmes de lavage
- Process industriels, Purge de réservoir
- Air, Gaz inertes et agressifs
- Oxygène, Vapeur, Médical, Stérilisateurs
- Industrie chimique et pétrochimique

Las electroválvulas de la serie X3F (membrana guiada con cuerpo roscado de acero inoxidable 316L) combinan los principios de funcionamiento de las válvulas de acción directa y servoasistidas, ofreciendo un rendimiento único.

Las características de construcción permiten que estas válvulas trabajen en condiciones duras y con una vida útil 5 veces superior a las electroválvulas tradicionales, garantizando un rendimiento duradero.

La apertura parcial también está garantizada con $\Delta P = 0$ bar, sin embargo, para la apertura total se requiere $\Delta P > 0$ bar.

Principales ventajas

- Conexiones de 1/4" a 1"
- Orificios desde \varnothing 10 mm hasta \varnothing 25 mm
- Presiones de trabajo hasta 25 bar
- $\Delta P = 0$ bar
- Uso en condiciones duras
- Contacto con fluidos agresivos y corrosivos
- Grado de protección IP67 con conector y kit antihumedad

Aplicaciones

- Agua, Aceites, Líquidos neutros y corrosivos
- Lavado de autos, Sistemas de lavado
- Procesos industriales, Vaciado de tanques
- Aire, Gases inertes y agresivos
- Oxígeno, Vapor, Médico, Esterilizadores
- Industria química y petroquímica

As válvulas solenóide da série X3F – diafragma guiado com corpo roscado em aço inoxidável 316L – combinam os princípios operacionais de válvulas de ação direta e servo-assistidas, oferecendo um desempenho sem igual.

As características construtivas permitem que essas válvulas trabalhem em condições adversas e com uma vida útil 5 vezes maior que as válvulas solenoides tradicionais, garantindo desempenho duradouro.

A abertura parcial também é assegurada com $\Delta P = 0$ bar, porém para abertura total é necessário $\Delta P > 0$ bar.

Principais vantagens

- Conexões de 1/4" a 1"
- Orifícios de \varnothing 10 mm até \varnothing 25 mm
- Pressões de trabalho até 25 bar
- $\Delta P = 0$ bar
- Uso em condições adversas
- Contato com fluidos agressivos e corrosivos
- Grau de proteção IP67 com conector e kit anti-umidade

Aplicações

- Água, óleos, líquidos neutros e corrosivos
- Lavagens de carros, Sistemas de limpeza e lavagem em geral
- Processos industriais, Drenagem de tanques
- Ar, gases inertes e agressivos
- Oxigênio, Vapor, Médico, Esterilizadores
- Indústria química e petroquímica



Caratteristiche generali - X3F IT	General features - X3F GB	Eigenschaften - X3F DE
<ul style="list-style-type: none"> - Posizione di montaggio consigliata orizzontale - Kit operatore Ø 13 mm - Certificazione valvole: ATEX II 2G/D Ex h - Bobine: classe H - - CSA C22.2 	<ul style="list-style-type: none"> - Recommended horizontal mounting position - Operator kit Ø 13 mm - ATEX II 2G/D Ex h certification - Coils: Class H - - CSA C22.2 	<ul style="list-style-type: none"> - Horizontale Einbaulage empfohlen - Bausatz Ø 13 mm - ATEX II 2G/D Ex h zulassung - Spulenkategorie H - - CSA C22.2
Caractéristiques générales - X3F FR	Características generales - X3F ES	Características gerais - X3F PT
<ul style="list-style-type: none"> - Position de montage horizontale recommandée - Kit Pilote Ø 13 mm - Certification ATEX II 2G/D Ex h - Bobine: classe H - - CSA C22.2 	<ul style="list-style-type: none"> - Posición de montaje recomendada horizontal - Kit operador Ø 13 mm - Certificación ATEX II 2G/D Ex h - Bobinas: clase H - - CSA C22.2 	<ul style="list-style-type: none"> - Posição de montagem aconselhada horizontal - Kit do operador Ø 13 mm - Certificação ATEX II 2G/D Ex h - Bobinas: classe H - - CSA C22.2



Tabella dei codici di ordinazione

- Ordering codes
- Bestellschlüssel
- Composition de la référence de commande
- Tabla para definición de código
- Tabela de código de compra

SERIE	Connessione Port size Masse Dimension Tamaño Tamanho	Funzione Functions Funktion Fonctions Función Funções	Orificio Orifice Dn Passage Orifício Orifício	Materiale guarnizioni Sealing materials Dichtungswerkstoffe Matériaux des joints Material juntas Material das vedações	Versione Version Ausführung Version Versión Versão	Filettatura Thread Gewinde Filetage Rosca Rosca
-------	---	--	--	---	---	--

X	3	F	0	3	1	1	0	N	0	
		03 = 1/4" 04 = 3/8" 05 = 1/2" 07 = 3/4" 09 = 1"		1 = 2/2 NC Normalmente chiusa <i>Normally closed</i> <i>Normalerweise geschlossen</i> <i>Normalement fermée</i> <i>Normalmente cerrada</i> <i>Normalmente fechada</i>	10 = 10 mm 14 = 14 mm 18 = 18 mm 25 = 25 mm		N = NBR E = EPDM V = FKM		0 = Standard	= Gas

BOBINE: SERIE C, D, E COILS: SERIES C, D, E SPULEN: SERIES C, D, E BOBINES: SÉRIES C, D, E BOBINAS: SERIES C, D, E BOBINAS: SÉRIES C, D, E	PAG: 19.5 / 19.6 / 19.7 PAG: 19.5 / 19.6 / 19.7 PAG: 19.5 / 19.6 / 19.7 PAG: 19.5 / 19.6 / 19.7 PAG: 19.5 / 19.6 / 19.7 PAG: 19.5 / 19.6 / 19.7	CONNETTORI CONNECTORS STECKER CONNECTEURS CONECTORES CONECTORES	PAG: 19.10 PAG: 19.10 PAG: 19.10 PAG: 19.10 PAG: 19.10 PAG: 19.10
--	---	---	---

SERIE X3F

ELETTROVALVOLE A MEMBRANA GUIDATA - $\Delta P = 0$ bar (per apertura completa membrana $\Delta P > 0$ bar)

GUIDED DIAPHRAGM SOLENOID VALVES - $\Delta P = 0$ bar (complete diaphragm opening $\Delta P > 0$ bar)

GEFÜHRTE MEMBRAN-MAGNETVENTILE - $\Delta P = 0$ bar (zum vollständige Membranöffnung $\Delta p > 0$ bar)

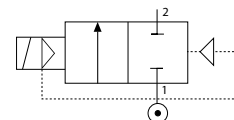
ÉLECTROVANNES À MEMBRANE GUIDÉE - $\Delta P = 0$ bar (pour diaphragme ouverture complete $\Delta p > 0$ bar)

ELECTROVALVULAS DE MEMBRANA GUIADA - $\Delta P = 0$ bar (para apertura completa de la membrana $\Delta p > 0$ bar)

ELETTROVALVULAS DE MEMBRANA GUIADA - $\Delta P = 0$ bar (para abertura completa da membrana $\Delta p > 0$ bar)



2/2 NC **1/4" → 1"**



- $\Delta P = 0$ bar**
- Long Life**
- Heavy Duty**

Anello di sfasamento argentato su richiesta
Silver-plated shading ring on request
Versilberter Schattierungsring auf anfrage
Anneau d'ombrage argentée sur demande
Anillo de sombreado plateado bajo pedido
Anel de sombreamento banhado a prata sob pedido

Materiali e Componenti	IT	Materials and Components	GB	Materialien und Komponenten	DE
1 Corpo: Acciaio Inox AISI 316L		1 Body: Stainless steel AISI 316L		1 Körper: Edelstahl AISI 316L	
2 Tenute: NBR - EPDM - FKM		2 Seals: NBR - EPDM - FKM		2 Dichtung: NBR - EPDM - FKM	
3 Tubo guida: Acciaio Inox		3 Armature tube: Stainless steel		3 Führungsrohr: Edelstahl	
4 Nucleo fisso e mobile: Acciaio Inox AISI 430FR		4 Fixed and mobile core: Stainless steel AISI 430FR		4 Kern: Edelstahl AISI 430FR	
5 Molle: Acciaio Inox		5 Springs: Stainless steel		5 Feder: Edelstahl	
6 Anello di sfasamento: Rame		6 Shading ring: Copper		6 Schattierung Ring: Kupfer	

Matériaux et Composants	FR	Materiales y componentes	ES	Materiais e Componentes	PT
1 Corps: Acier inox AISI 316L		1 Cuerpo: Acero inox AISI 316L		1 Corpo: Aço-inox AISI 316L	
2 Joints: NBR - EPDM - FKM		2 Juntas: NBR - EPDM - FKM		2 Vedações: NBR - EPDM - FKM	
3 Tube de pilotage: Acier inox		3 Tubo guía: Acero inox		3 Tubo Guia: Aço-inox	
4 Noyau: Acier inox AISI 430FR		4 Núcleo fijo y móvil: Acero inox AISI 430FR		4 Núcleo fixo e móvel I: Aço-inox AISI 430FR	
5 Ressort: Acier inox		5 Muelle: Acero inox		5 Mola: Aço-inox	
6 Anneaux d'ombrage : cuivre		6 Anillo de sombreado: Cobre		6 Anel de sombreamento: Cobre	

Pressione massima ammissibile
Maximum allowable pressure
Max. Betriebsdruck
Pression de service max.
Presión máxima admisible
Pressão máxima admissível

25 bar

Tabella compatibilità e materiali
Compatibility and materials table
Beständigkeitsübersicht
Tableau de compatibilité des matériaux
Tabla de compatibilidad de materiales
Tabela de compatibilidade química

Pag. 0.21 - 0.22

Temperatura ambiente con bobine in classe H
Room temperature with coil class H
Raumtemperatur, mit Spule der Klasse H
Température ambiante, avec bobine classe H
Temperatura ambiente con bobina clase H
Temperatura ambiente com bobina de classe H

- 10 °C
+ 80 °C

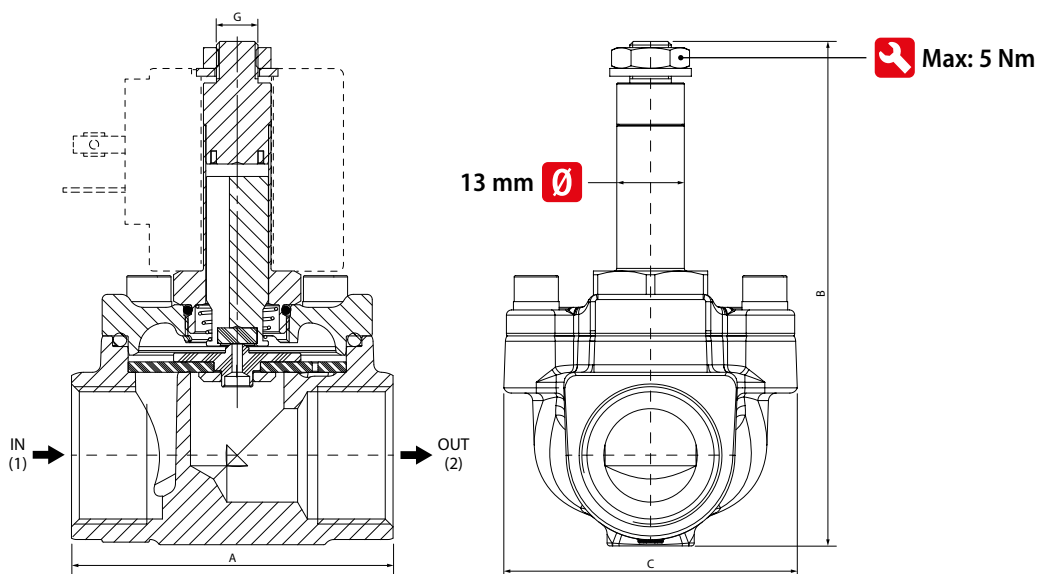
OPZIONI SU RICHIESTA - OPTIONS ON REQUEST - OPTIONEN AUF ANFRAGE - OPTIONS SUR DEMANDE - OPCIONES BAJO PEDIDO - OPÇÕES SOB ENCOMENDA
Anello di sfasamento argentato - Silver-plated shading ring - Versilberter Schattierungsring Anneau d'ombrage argentée - Anillo de sombreado plateado - Anel de sombreamento banhado a prata
Versione idonea per utilizzo con ossigeno industriale - Version suitable for use with industrial oxygen - Version für industrie sauerstoff Version adaptée à une utilisation avec de l'oxygène industriel - Versión idónea para el uso con oxígeno industrial - Versão adequada para utilização com oxigênio industrial

Code	Materiale tenute Sealing materials Dichtungswerkstoffe Matériau joint Material juntas Material das vedações	Connessioni Port size Verbindungen Connexions Conexiones Conexões	Ø Orifizio Ø Orifice Ø Dn Ø Passage Ø Orificio Ø Orificio	Viscosità Viscosity Viskosität Viscosité Viscosidad Viscosidade	Kv	Pressione differenziale (OPD) Differential pressure (OPD) Differenzdruck (OPD) Pression différentielle (OPD) Presión diferencial (OPD) Pressão diferencial (OPD)			Potenza Power Leistung Puissance Potencia Potência		Bobine Coils Spulen Bobines Bobinas Bobinas	
						Min	Max DC	Max AC	DC W	AC VA	Size mm	Serie C - pag. 19.5 D - pag. 19.6 E - pag. 19.7
		ISO 228	mm	cSt	m ³ /h	Bar						
X3F 03 1 10 _ 0	N = NBR -10°C +90°C	1/4"	10	25	1.58	0	-	18	-	14	30	C - SOL20
6							20	14	21	30	D - SOL20	
16							25	22	31	36	E - SOL21	
X3F 04 1 14 _ 0	V = FKM -10°C +140°C	3/8"	14	25	2.73	0	-	18	-	14	30	C - SOL20
6							20	14	21	30	D - SOL20	
16							25	22	31	36	E - SOL21	
X3F 05 1 14 _ 0	E = EPDM -10°C +140°C	1/2"	14	25	2.75	0	-	18	-	14	30	C - SOL20
6							20	14	21	30	D - SOL20	
16							25	22	31	36	E - SOL21	
X3F 07 1 18 _ 0		3/4"	18	25	4.08	0	-	18	-	14	30	C - SOL20
6							20	14	21	30	D - SOL20	
16							25	22	31	36	E - SOL21	
X3F 09 1 25 _ 0		1"	25	25	6.63	0	-	16	-	14	30	C - SOL20
4							20	14	21	30	D - SOL20	
12							25	22	31	36	E - SOL21	


① **Selezionare tenuta** - Select seal material - Wählen Sie das Dichtungsmaterial aus - Sélectionner matériau d'étanchéité - Seleccionar material sellado - Seleccionar material de vedação

EPDM - P max= 2.5 bar: Con vapore - With steam - Mit dampf - Avec vapeur - Con vapor - Com vapor

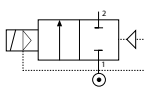
Bobina non inclusa - Coil not included - Magnetspulen separat - Bobines non incluse - Bobina no incluida - Bobinas não incluidas



Size	A	B	C	G
1/4"	44	84	40	M8 x 1
3/8"	52	91.5	46.5	M8 x 1
1/2"	52	91.5	46.5	M8 x 1
3/4"	62	97	56.5	M8 x 1
1"	72.5	105.5	66	M8 x 1





2/2 NC

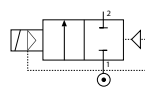


1/4" → 1"

Pag. 13.4






2/2 NC

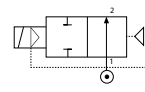


1"1/4 → 2"

Pag. 13.8






2/2 NO

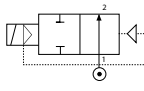


1/4" → 1"

Pag. 13.10





2/2 NO



1"1/4 → 2"

Pag. 13.14




22 mm

Serie A

Pag. 19.2




30 mm

Serie B

Pag. 19.3




30 mm

Serie X (1/4" - 1")

Pag. 19.4




30 mm

Serie C

Pag. 19.5




30 mm

Serie D

Pag. 19.6




36 mm

Serie E

Pag. 19.7




Connectors

Pag. 19.9 / 19.10



ELETTROVALVOLE SERVO-AZIONATE CON CORPO IN OTTONE

SERVO-ASSISTED SOLENOID VALVES WITH BRASS BODY

SERVO-GESTEUERTE MAGNETVENTILE MIT MESSINGGEHÄUSE

ÉLECTROVANNES SERVO ASSISTEES AVEC CORPS EN LAITON

ELECTROVALVULA SERVOACCIONADA CON CUERPO DE LATÓN

ELETROVÁLVULAS SERVO-PILOTADAS COM CORPO DE LATÃO



II 2 G/D Ex h



Le elettrovalvole serie 04F – servo-azionate con corpo filettato in ottone – si identificano per la possibilità di gestire portate elevate e per l'affidabilità nelle prestazioni che ne consentono l'utilizzo in una vasta gamma di applicazioni.

Prevedono l'utilizzo di tutte le tipologie di bobine (serie A, B, C, D, E) in funzione della taglia della valvola, inclusa la possibilità di installazione in aree potenzialmente esplosive (con bobina ATEX serie X).

Principali vantaggi

- Connessioni da 1/4" a 2"
- Orifici dal Ø 10 mm al Ø 50 mm
- Pressioni di lavoro fino a 25 bar
- Molteplici versioni disponibili
- Guarnizioni EPDM (su richiesta anche FKM) conformi FDA, ACS, WRAS
- Grado di protezione IP67 con connettore e kit antiumidità

Applicazioni

- Acqua, Liquidi neutri, Oli
- Gestione risorse idriche, Trattamento acque
- Agricoltura, Irrigazione, Zootecnia
- Autolavaggi, Sistemi di lavaggio
- Processi industriali, Refrigerazione
- Aria, Gas inerti, Vuoto
- Ossigeno, Vapore

Les électrovannes de la série 04F – servo-assistées avec corps fileté en laiton – se distinguent par la possibilité de gérer des débits élevés et par des performances fiables qui permettent de les utiliser dans une large gamme d'applications.

Elles prévoient l'utilisation de tous les types de bobines (séries A, B, C, D, E) en fonction de la taille de la vanne, y compris la possibilité d'installation dans des environnements potentiellement explosifs (avec bobine ATEX série X).

Principaux avantages

- Connexions de 1/4" à 2"
- Orifices de Ø 10 mm à Ø 50 mm
- Pression jusqu'à 25 bar
- Plusieurs versions disponibles
- Joint EPDM (sur demande également FKM) conforme aux normes FDA, ACS, WRAS
- Degré de protection IP67 avec connecteur et kit anti-humidité

Applications

- Eau, Liquides neutres, Huiles
- Gestion de l'eau, Traitement de l'eau
- Agriculture, Irrigation, Zootecnie
- Lavages autos, Systèmes de lavage
- Procédés industriels, Réfrigération
- Air, Gaz inertes, Vide
- Oxygène, Vapeur

The 04F series solenoid valves – servo-assisted with brass threaded body – are identified by the possibility of managing high flow rates and by the reliable performance which allows to be used in a wide range of applications.

They foresee the use of all the types of coils (series A, B, C, D, E) according to the size of the valve, including the possibility of installation in potentially explosive environments (with ATEX coil X series).

Main advantages

- Connections from 1/4" to 2"
- Orifices from Ø 10 mm up to Ø 50 mm
- Working pressures up to 25 bar
- Multiple versions available
- EPDM sealing (on request also FKM) compliant with FDA, ACS, WRAS
- IP67 protection degree with connector and anti-humidity kit

Applications

- Water, Neutral liquids, Oils
- Water management, Water treatment
- Agriculture, Irrigation, Zootechnics
- Car washes, Washing systems
- Industrial processes, Refrigeration
- Air, Inert gases, Vacuum
- Oxygen, Steam

Die servogesteuerten Magnetventile der Serie 04F – aus Messing mit Anschlußgewinden, sind für hohe Durchflussmengen konzipiert. Dies ermöglicht eine Vielzahl von Anwendungen.

Die Ventile können mit allen Spulentypen (Serie A, B, C, D, E) verwendet werden. Im weiteren sind die Ventile für die Installation in explosionsgefährdeten Umgebungen (mit ATEX-Spule Serie X) geeignet.

Vorteile

- Anschlüsse von 1/4" bis 2"
- Öffnungen von Ø 10 mm bis zu Ø 50 mm
- Betriebsdrücke bis zu 25 bar
- Mehrere Versionen verfügbar
- EPDM-Dichtung (auf Anfrage auch FKM), konform mit FDA, ACS, WRAS
- Schutzart IP67 mit Anschlussstück und Anti-Feuchtigkeits-Kit

Anwendungen

- Wasser, Neutrale Flüssigkeiten, Öle
- Wasserwirtschaft, Wasseraufbereitung
- Landwirtschaft, Bewässerung, Zootechnik
- Autowaschanlagen, Waschanlagen
- Industrielle Prozesse, Kältetechnik
- Luft, Inerte Gase, Vakuum
- Sauerstoff, Dampf

Las electroválvulas de la serie 04F (servoasistidas con cuerpo roscado en latón) se identifican por la posibilidad de gestionar caudales elevados y por un rendimiento fiable que permite ser utilizada en una amplia gama de aplicaciones.

Prevén el uso de todos los tipos de bobinas (series A, B, C, D, E) según el tamaño de la válvula, incluyendo la posibilidad de instalación en ambientes potencialmente explosivos (con bobina ATEX serie X).

Principales ventajas

- Conexiones de 1/4" a 2"
- Orificios desde Ø 10 mm hasta Ø 50 mm
- Presiones de trabajo hasta 25 bar
- Múltiples versiones disponibles
- Juntas EPDM (bajo pedido también FKM) conforme a FDA, ACS, WRAS
- Grado de protección IP67 con conector y kit antihumedad

Aplicaciones

- Agua, Líquidos neutros, Aceites
- Gestión del agua, Tratamiento de agua
- Agricultura, Irrigación, Zootecnia
- Lavado de autos, Sistemas de lavado
- Procesos Industriales, Refrigeración
- Aire, Gases inertes, Vacío
- Oxígeno, Vapor

As válvulas solenóide da série 04F – servo-assistidas com corpo roscado em latão – caracterizam-se pela possibilidade de gerir vazões elevadas e pelo desempenho confiável que permite sua utilização numa vasta gama de aplicações.

Permitem utilização de todos os tipos de bobinas (séries A, B, C, D, E) de acordo com o tamanho da válvula, incluindo a possibilidade de instalação em ambientes potencialmente explosivos (com bobina ATEX série X).

Principais vantagens

- Conexões de 1/4" a 2"
- Orifícios de Ø 10 mm até Ø 50 mm
- Pressões de trabalho até 25 bar
- Várias versões disponíveis
- Vedação EPDM (sob encomenda também em FKM) compatível com FDA, ACS, WRAS
- Grau de proteção IP67 com conector e kit anti-umidade

Aplicações

- Água, líquidos neutros, óleos
- Gestão de água, Tratamento de água
- Agricultura, Irrigação, Zootecnia
- Lavagens de carros, Sistemas de limpeza e lavagem
- Processos Industriais, Refrigeração
- Ar, gases inertes, vácuo
- Oxigênio, Vapor



Caratteristiche generali - 04F	IT	General features - 04F	GB	Eigenschaften - 04F	DE
<ul style="list-style-type: none"> - Posizione di montaggio consigliata orizzontale - Kit operatore Ø 10 mm -> da 1/4" a 1" - Kit operatore Ø 13 mm -> da 1"1/4 a 2" - Certificazione valvole: ATEX II 2G/D Ex h - Bobine: classe H - - CSA C22.2 - ATEX II 2G/D Ex m 		<ul style="list-style-type: none"> - Recommended horizontal mounting position - Operator kit Ø 10 mm -> from 1/4" to 1" - Operator kit Ø 13 mm -> from 1"1/4 to 2" - ATEX II 2G/D Ex h certification - Coils: Class H - - CSA C22.2 - ATEX II 2G/D Ex m 		<ul style="list-style-type: none"> - Horizontale Einbaulage empfohlen - Bausatz Ø 10 mm -> von 1/4" auf 1" - Bausatz Ø 13 mm -> von 1"1/4 auf 2" - ATEX II 2G/D Ex h zulassung - Spulenkategorie H - - CSA C22.2 - ATEX II 2G/D Ex m 	
Caractéristiques générales - 04F	FR	Características generales - 04F	ES	Características gerais - 04F	PT
<ul style="list-style-type: none"> - Position de montage horizontale recommandée - Kit Pilote Ø 10 mm -> de 1/4" à 1" - Kit Pilote Ø 13 mm -> de 1"1/4 à 2" - Certification ATEX II 2G/D Ex h - Bobine: classe H - - CSA C22.2 - ATEX II 2G/D Ex m 		<ul style="list-style-type: none"> - Posición de montaje recomendada horizontal - Kit operador Ø 10 mm -> de 1/4" a 1" - Kit operador Ø 13 mm -> de 1"1/4 a 2" - Certificación ATEX II 2G/D Ex h - Bobinas: clase H - - CSA C22.2 - ATEX II 2G/D Ex m 		<ul style="list-style-type: none"> - Posição de montagem aconselhada horizontal - Kit do operador Ø 10 mm -> de 1/4" a 1" - Kit do operador Ø 13 mm -> de 1"1/4 a 2" - Certificação ATEX II 2G/D Ex h - Bobinas: classe H - - CSA C22.2 - ATEX II 2G/D Ex m 	

Tabella dei codici di ordinazione

Ordering codes

Bestellschlüssel

Composition de la référence de commande

Tabla para definición de código

Tabela de código de compra

SERIE	Connessione Port size Masse Dimension Tamaño Tamanho	Funzione Functions Funktion Fonctions Función Funções	Orifizio Orifice Dn Passage Orifício Orificio	Materiale guarnizioni Sealing materials Dichtungswerkstoffe Matériaux des joints Material Juntas Material das vedações	Versione Version Ausführung Version Versión Versão	Filettatura Thread Gewinde Filetage Rosca Rosca
-------	---	--	--	---	---	--

0	4	F	0	3	1	1	0	N	*	□
			03 = 1/4"	1 = 2/2 NC	Normalmente chiusa Normally closed Normalerweise geschlossen Normalment fermée Normalmente cerrada Normalmente fechada	10 = 10 mm		N = NBR	* = Selezionare la versione Select the version Wählen Sie die Version Sélectionner la version Selecione la versión Selecione a versão	= Gas
			04 = 3/8"			14 = 14 mm		E = EPDM		N = NPTF
			05 = 1/2"			18 = 18 mm		V = FKM		
			07 = 3/4"	2 = 2/2 NO	Normalmente aperta Normally open Normalerweise offen Normalment ouvert Normalmente abierta Normalmente aberta	25 = 25 mm			↓	
			09 = 1"			40 = 40 mm			2/2 NC → Pag. 13.5 / 13.6 / 13.9	
			XF = 1"1/4			50 = 50 mm			2/2 NO → Pag. 13.11 / 13.12 / 13.15	
			XG = 1"1/2						↓	
			XH = 2"						Ex: Version H → 04F 03 1 10 N H	
									Version 4 → 04F 07 1 18 N 4	
									Version 0 → 04F 03 1 10 N 0	
									Version 2 → 04F 07 1 18 N 2	
									Version T → 04F 07 1 18 N T	
									Version 5 → 04F 07 1 18 N 5	
									Version 1 → 04F 07 1 18 N 1	
									Version 3 → 04F 07 1 18 N 3	

BOBINE: SERIE A, B, X, C, D, E	PAG: 19.2 / 19.3 / 19.4 / 19.5 / 19.6 / 19.7	CONNETTORI	PAG: 19.9 / 19.10
COILS: SERIES A, B, X, C, D, E	PAG: 19.2 / 19.3 / 19.4 / 19.5 / 19.6 / 19.7	CONNECTORS	PAG: 19.9 / 19.10
SPULEN: SERIES A, B, X, C, D, E	PAG: 19.2 / 19.3 / 19.4 / 19.5 / 19.6 / 19.7	STECKER	PAG: 19.9 / 19.10
BOBINAS: SÉRIES A, B, X, C, D, E	PAG: 19.2 / 19.3 / 19.4 / 19.5 / 19.6 / 19.7	CONNECTEURS	PAG: 19.9 / 19.10
BOBINAS: SERIES A, B, X, C, D, E	PAG: 19.2 / 19.3 / 19.4 / 19.5 / 19.6 / 19.7	CONECTORES	PAG: 19.9 / 19.10
BOBINAS: SÉRIES A, B, X, C, D, E	PAG: 19.2 / 19.3 / 19.4 / 19.5 / 19.6 / 19.7	CONECTORES	PAG: 19.9 / 19.10

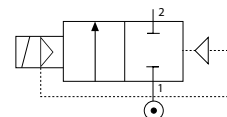
SERIE 04F

ELETTROVALVOLE SERVO-AZIONATE CON CORPO IN OTTONE

SERVO-ASSISTED SOLENOID VALVES WITH BRASS BODY
 SERVO-GESTEUERTE MAGNETVENTILE MIT MESSINGGEHÄUSE
 ÉLECTROVANNES SERVO ASSISTEES AVEC CORPS EN LAITON
 ELECTROVALVULA SERVOACCIONADA CON CUERPO DE LATÓN
 ELETRÓVALVULAS SERVO-PILOTADAS COM CORPO DE LATÃO

2/2 NC

1/4" → 1"



Materiali e Componenti

- 1 Corpo: Ottone CW617N
- 2 Tenute: NBR - EPDM - FKM
- 3 Tubo guida: Acciaio Inox
- 4 Nucleo fisso e mobile: Acciaio Inox AISI 430FR
- 5 Molle: Acciaio Inox

IT

Materials and Components

- 1 Body: Brass CW617N
- 2 Seals: NBR - EPDM - FKM
- 3 Armature tube: Stainless steel
- 4 Fixed and mobile core: Stainless steel AISI 430FR
- 5 Springs: Stainless steel

GB

Materialien und Komponenten

- 1 Körper: Messing CW617N
- 2 Dichtung: NBR - EPDM - FKM
- 3 Führungsrohr: Edelstahl
- 4 Kern: Edelstahl AISI 430FR
- 5 Feder: Edelstahl

DE

Matériaux et Composants

- 1 Corps: Laiton CW617N
- 2 Joints: NBR - EPDM - FKM
- 3 Tube de pilotage: Acier inox
- 4 Noyau: Acier inox AISI 430FR
- 5 Ressort: Acier inox

FR

Materiales y componentes

- 1 Cuerpo: Latón CW617N
- 2 Juntas: NBR - EPDM - FKM
- 3 Tubo guía: Acero inox
- 4 Núcleo fijo y móvil: Acero inox AISI 430FR
- 5 Muelle: Acero inox

ES

Materialis e Componentes

- 1 Corpo: Latão CW617N
- 2 Vedações: NBR - EPDM - FKM
- 3 Tubo Guia: Aço-inox
- 4 Núcleo fixo e móvel I: Aço-inox AISI 430FR
- 5 Mola: Aço-inox

PT



Pressione massima ammissibile

Maximum allowable pressure
 Max. Betriebsdruck
 Pression de service max.
 Presión máxima admisible
 Pressão máxima admissível

25 bar



Tabella compatibilità e materiali

Compatibility and materials table
 Beständigkeitsübersicht
 Tableau de compatibilité des matériaux
 Tabla de compatibilidad de materiales
 Tabela de compatibilidade química

Pag. 0.21 - 0.22



Temperatura ambiente con bobine in classe H

Room temperature with coil class H
 Raumtemperatur, mit Spule der Klasse H
 Température ambiante, avec bobine classe H
 Temperatura ambiente con bobina clase H
 Temperatura ambiente com bobina de classe H

**- 10 °C
 + 80 °C**

OPZIONI SU RICHIESTA - OPTIONS ON REQUEST - OPTIONEN AUF ANFRAGE - OPTIONS SUR DEMANDE - OPCIONES BAJO PEDIDO - OPÇÕES SOB ENCOMENDA

Versione idonea per utilizzo con ossigeno industriale - Version suitable for use with industrial oxygen - Version für industrie sauerstoff
 Version adaptée à une utilisation avec de l'oxygène industriel - Versión idónea para el uso con oxígeno industrial - Versão adequada para utilização com oxigênio industrial

Trattamento superficiale di nichelatura chimica componenti in ottone - Chemical nickel plating treatment for brass components - Chemische vernickelung Messingkomponenten
 Traitement surface nickelage chimique composants laiton - Tratamiento superficial niquelatura química componentes latón - Tratamento superficial niquelação química componentes latão

Code	Materiale tenute Sealing materials Dichtungswerkstoffe Matériau joint Material juntas Material das vedações	Connessioni Port size Verbindungen Connexions Conexiones Conexões	Ø Orifizio Ø Orifice Ø Dn Ø Passage Ø Orificio Ø Orificio	Viscosità Viscosity Viskosität Viscosité Viscosidad Viscosidade	Kv	Pressione differenziale (OPD) Differenzdruck (OPD) Differenzdruck (OPD) Pression différentielle (OPD) Presión diferencial (OPD) Pressão diferencial (OPD)			Potenza Power Leistung Puissance Potencia Potência			Bobine Coils Spulen Bobines Bobinas Bobinas	
						Min	Max DC	Max AC	DC	AC	ATEX Ex m	Size	Serie A - pag. 19.2 B - pag. 19.3 X - pag. 19.4
①	①	ISO 228	mm	cSt	m³/h	Bar			W	VA	W	mm	

H

Senza comando manuale - Without manual override - Ohne handbetätigung
Sans commande manuelle - Sin comando manual - Sem acionamento manual

04F 03 1 10 _ H	N = NBR -10°C +90°C	1/4"	10	25	1.88	0.15	16	16	6.5	7.5	-	22	A - SOL10
							25	25	8	11	-	30	B - SOL11
							16	25	-	-	5.3	30	X - SOLX4
04F 04 1 14 _ H	N = NBR -10°C +90°C	3/8"	14	25	3.32	0.15	16	16	6.5	7.5	-	22	A - SOL10
							25	25	8	11	-	30	B - SOL11
							16	25	-	-	5.3	30	X - SOLX4
04F 05 1 14 _ H	V = FKM -10°C +140°C	1/2"	14	25	3.53	0.15	16	16	6.5	7.5	-	22	A - SOL10
							25	25	8	11	-	30	B - SOL11
							16	25	-	-	5.3	30	X - SOLX4
04F 07 1 18 _ H	E = EPDM -10°C +140°C	3/4"	18	25	5.56	0.15	16	16	6.5	7.5	-	22	A - SOL10
							25	25	8	11	-	30	B - SOL11
							16	25	-	-	5.3	30	X - SOLX4
04F 09 1 25 _ H	E = EPDM -10°C +140°C	1"	25	25	10.97	0.15	16	16	6.5	7.5	-	22	A - SOL10
							25	25	8	11	-	30	B - SOL11
							16	25	-	-	5.3	30	X - SOLX4

4

Senza comando manuale e con membrana rinforzata e guidata - Without manual override and with reinforced and guided diaphragm - Ohne Handbetätigung und mit verstärkter und geführter Membrane
Sans commande manuelle et avec membrane renforcée et guidée - Sin comando manual y con membrana reforzada y guiada - Sem acionamento manual e com membrana reforçada e guiada

04F 07 1 18 _ 4	N = NBR -10°C +90°C	3/4"	18	25	4.91	0.15	16	16	6.5	7.5	-	22	A - SOL10
							25	25	8	11	-	30	B - SOL11
							16	25	-	-	5.3	30	X - SOLX4
04F 09 1 25 _ 4	V = FKM -10°C +140°C	1"	25	25	9.32	0.15	16	16	6.5	7.5	-	22	A - SOL10
							25	25	8	11	-	30	B - SOL11
							16	25	-	-	5.3	30	X - SOLX4

0

Con comando manuale - With manual override - Handbetätigung
Avec commande manuelle - Con comando manual - Com acionamento manual

04F 03 1 10 _ 0	N = NBR -10°C +90°C	1/4"	10	25	1.88	0.15	16	16	6.5	7.5	-	22	A - SOL10
							25	25	8	11	-	30	B - SOL11
							16	25	-	-	5.3	30	X - SOLX4
04F 04 1 14 _ 0	N = NBR -10°C +90°C	3/8"	14	25	3.32	0.15	16	16	6.5	7.5	-	22	A - SOL10
							25	25	8	11	-	30	B - SOL11
							16	25	-	-	5.3	30	X - SOLX4
04F 05 1 14 _ 0	V = FKM -10°C +140°C	1/2"	14	25	3.53	0.15	16	16	6.5	7.5	-	22	A - SOL10
							25	25	8	11	-	30	B - SOL11
							16	25	-	-	5.3	30	X - SOLX4
04F 07 1 18 _ 0	E = EPDM -10°C +140°C	3/4"	18	25	5.56	0.15	16	16	6.5	7.5	-	22	A - SOL10
							25	25	8	11	-	30	B - SOL11
							16	25	-	-	5.3	30	X - SOLX4
04F 09 1 25 _ 0	E = EPDM -10°C +140°C	1"	25	25	10.97	0.15	16	16	6.5	7.5	-	22	A - SOL10
							25	25	8	11	-	30	B - SOL11
							16	25	-	-	5.3	30	X - SOLX4

2

Con comando manuale e con membrana rinforzata e guidata - With manual override and with reinforced and guided diaphragm - Mit Handbetätigung und verstärkter und geführter Membrane
Avec commande manuelle et avec membrane renforcée et guidée - Con comando manual y con membrana reforzada y guiada - Com acionamento manual e com membrana reforçada e guiada

04F 07 1 18 _ 2	N = NBR -10°C +90°C	3/4"	18	25	4.91	0.15	16	16	6.5	7.5	-	22	A - SOL10
							25	25	8	11	-	30	B - SOL11
							16	25	-	-	5.3	30	X - SOLX4
04F 09 1 25 _ 2	V = FKM -10°C +140°C	1"	25	25	9.32	0.15	16	16	6.5	7.5	-	22	A - SOL10
							25	25	8	11	-	30	B - SOL11
							16	25	-	-	5.3	30	X - SOLX4

① Selezionare tenuta - Select seal material - Wählen Sie das Dichtungsmaterial aus - Sélectionner matériau d'étanchéité - Seleccionar material sellado - Seleccionar material de vedação

EPDM - P max= 2.5 bar: Con vapore - With steam - Mit dampf - Avec vapeur - Con vapor - Com vapor

Bobina non inclusa - Coil not included - Magnetspulen separat - Bobines non incluse - Bobina no incluida - Bobinas não incluídas



con spillo di regolazione
with speed regulator
mit durchflussregler
avec vis de réglage
con pin de regulación
com regulador de velocidad

2/2 NC

1/4" → 1"

Spillo di regolazione
IT
Speed regulator
GB
Durchflussregler
DE

Permette di regolare la velocità di apertura e chiusura della membrana.

Allow to adjust the opening and closing diaphragm speed.

Lassen Sie die Öffnungs- und Schließgeschwindigkeit der Membran einstellen.

Vis de réglage
FR
Pin de regulación
ES
Regulador de velocidad
PT

Permet de régler la vitesse d'ouverture et de fermeture de la membrane.

Permite regular la velocidad de apertura y cierre de la membrana.

Permite ajustar a velocidade de abertura e fechamento da membrana.

Code	Materiale tenuta Sealing materials Dichtungswerkstoffe Matériau joint Material juntas Material das vedações	Connessioni Port size Verbindungen Connexions Conexiones Conexões	Ø Orifizio Ø Orifice Ø Dn Ø Passage Ø Orificio Ø Orificio	Viscosità Viscosity Viskosität Viscosité Viscosidad	Kv	Pressione differenziale (OPD) Differential pressure (OPD) Differenzdruck (OPD) Pression différentielle (OPD) Presión diferencial (OPD) Pressão diferencial (OPD)			Potenza Power Leistung Puissance Potencia			Bobine Coils Spulen Bobines Bobinas	
						Bar			DC	AC	ATEX Ex m	Size	Serie
			mm	cSt	m ³ /h	Min	Max DC	Max AC	W	VA	W	mm	A - pag. 19,2 B - pag. 19,3 X - pag. 19,4
	①												

T

Senza comando manuale - Without manual override - Ohne handbetätigung
Sans commande manuelle - Sin comando manual - Sem acionamento manual

04F 07 1 18 _ T	N = NBR -10°C +90°C	3/4"	18	25	5.56	0.15	16	16	6.5	7.5	-	22	A - SOL10
	25						25	8	11	-	30	B - SOL11	
	16						25	-	-	5.3	30	X - SOLX4	
04F 09 1 25 _ T	V = FKM -10°C +140°C	1"	25	25	10.97	0.15	16	16	6.5	7.5	-	22	A - SOL10
	25						25	8	11	-	30	B - SOL11	
	16						25	-	-	5.3	30	X - SOLX4	
	E = EPDM -10°C +140°C												

5

Senza comando manuale e con membrana rinforzata e guidata - Without manual override and with reinforced and guided diaphragm - Ohne Handbetätigung und mit verstärkter und geführter Membrane
Sans commande manuelle et avec membrane renforcée et guidée - Sin comando manual y con membrana reforzada y guiada - Sem acionamento manual e com membrana reforçada e guiada

04F 07 1 18 _ 5	N = NBR -10°C +90°C	3/4"	18	25	4.91	0.15	16	16	6.5	7.5	-	22	A - SOL10
	25						25	8	11	-	30	B - SOL11	
	16						25	-	-	5.3	30	X - SOLX4	
04F 09 1 25 _ 5	V = FKM -10°C +140°C	1"	25	25	9.32	0.15	16	16	6.5	7.5	-	22	A - SOL10
	25						25	8	11	-	30	B - SOL11	
	16						25	-	-	5.3	30	X - SOLX4	
	E = EPDM -10°C +140°C												

1

Con comando manuale - With manual override - Handbetätigung
Avec commande manuelle - Con comando manual - Com acionamento manual

04F 07 1 18 _ 1	N = NBR -10°C +90°C	3/4"	18	25	5.56	0.15	16	16	6.5	7.5	-	22	A - SOL10
	25						25	8	11	-	30	B - SOL11	
	16						25	-	-	5.3	30	X - SOLX4	
04F 09 1 25 _ 1	V = FKM -10°C +140°C	1"	25	25	10.97	0.15	16	16	6.5	7.5	-	22	A - SOL10
	25						25	8	11	-	30	B - SOL11	
	16						25	-	-	5.3	30	X - SOLX4	
	E = EPDM -10°C +140°C												

3

Con comando manuale e con membrana rinforzata e guidata - With manual override and with reinforced and guided diaphragm - Mit Handbetätigung und verstärkter und geführter Membrane
Avec commande manuelle et avec membrane renforcée et guidée - Con comando manual y con membrana reforzada y guiada - Com acionamento manual e com membrana reforçada e guiada

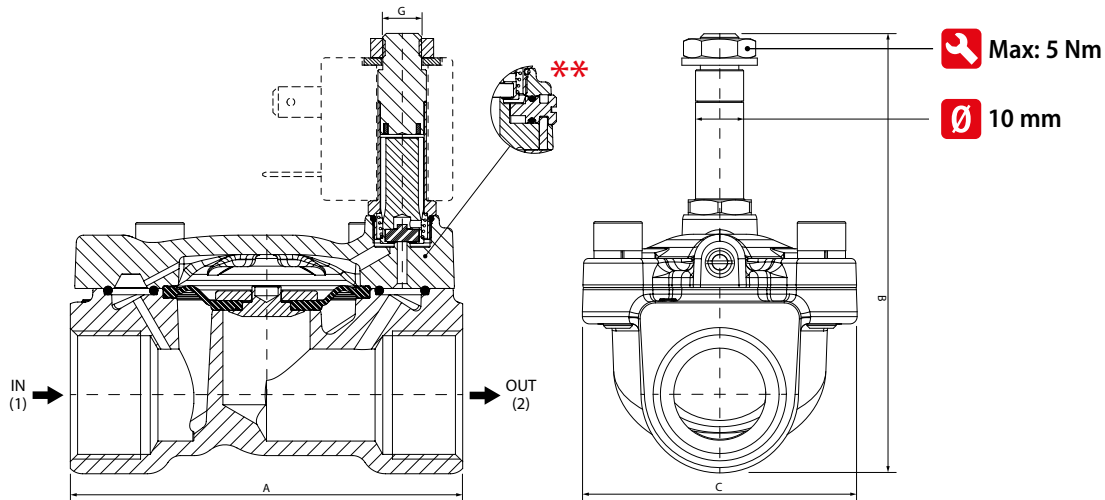
04F 07 1 18 _ 3	N = NBR -10°C +90°C	3/4"	18	25	4.91	0.15	16	16	6.5	7.5	-	22	A - SOL10
	25						25	8	11	-	30	B - SOL11	
	16						25	-	-	5.3	30	X - SOLX4	
04F 09 1 25 _ 3	V = FKM -10°C +140°C	1"	25	25	9.32	0.15	16	16	6.5	7.5	-	22	A - SOL10
	25						25	8	11	-	30	B - SOL11	
	16						25	-	-	5.3	30	X - SOLX4	
	E = EPDM -10°C +140°C												

① Selezionare tenuta - Select seal material - Wählen Sie das Dichtungsmaterial aus - Sélectionner matériau d'étanchéité - Seleccionar material sellado - Seleccionar material de vedação

EPDM - P max= 2.5 bar: Con vapore - With steam - Mit dampf - Avec vapeur - Con vapor - Com vapor

Bobina non inclusa - Coil not included - Magnetspulen separat - Bobines non incluse - Bobina no incluida - Bobinas não incluídas

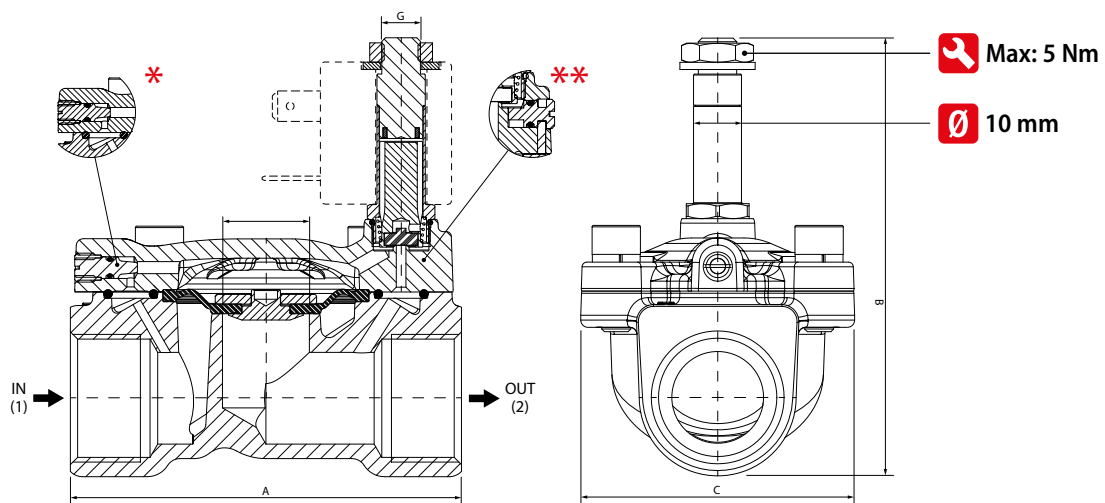
** Comando manuale
 ** Manual override
 ** Handbetätigung
 ** Commande manuelle
 ** Comando manual
 ** Acionamento manual



Size	A	B	C	G
1/4"	55.5	72.5	35.2	M8 x 0.75
3/8"	65.3	80.1	46.4	M8 x 0.75
1/2"	65.3	80.1	46.4	M8 x 0.75
3/4"	81	90.9	56.7	M8 x 0.75
1"	95	97	65	M8 x 0.75

* Spillo di regolazione
 * Speed regulator
 * Durchflussregler
 * Vis de réglage
 * Pin de regulación
 * Regulador de velocidad

** Comando manuale
 ** Manual override
 ** Handbetätigung
 ** Commande manuelle
 ** Comando manual
 ** Acionamento manual



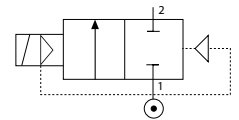
Size	A	B	C	G
3/4"	81	90.9	56.7	M8 x 0.75
1"	95	97	65	M8 x 0.75

SERIE 04F

ELETTROVALVOLE SERVO-AZIONATE CON CORPO IN OTTONE

SERVO-ASSISTED SOLENOID VALVES WITH BRASS BODY
 SERVO-GESTEUERTE MAGNETVENTILE MIT MESSINGGEHÄUSE
 ÉLECTROVANNES SERVO ASSISTEES AVEC CORPS EN LAITON
 ELECTROVALVULA SERVOACCIONADA CON CUERPO DE LATÓN
 ELETTROVÁLVULAS SERVO-PILOTADAS COM CORPO DE LATÃO

2/2 NC **1"1/4 → 2"**



Materiali e Componenti	IT	Materials and Components	GB	Materialien und Komponenten	DE
1 Corpo: Ottone CW617N 2 Tenute: NBR - EPDM - FKM 3 Tubo guida: Acciaio Inox 4 Nucleo fisso e mobile: Acciaio Inox AISI 430FR 5 Molle: Acciaio Inox		1 Body: Brass CW617N 2 Seals: NBR - EPDM - FKM 3 Armature tube: Stainless steel 4 Fixed and mobile core: Stainless steel AISI 430FR 5 Springs: Stainless steel		1 Körper: Messing CW617N 2 Dichtung: NBR - EPDM - FKM 3 Führungsrohr: Edelstahl 4 Kern: Edelstahl AISI 430FR 5 Feder: Edelstahl	
Matériaux et Composants	FR	Materiales y componentes	ES	Materialis e Componentes	PT
1 Corps: Laiton CW617N 2 Joints: NBR - EPDM - FKM 3 Tube de pilotage: Acier inox 4 Noyau: Acier inox AISI 430FR 5 Ressort: Acier inox		1 Cuerpo: Latón CW617N 2 Juntas: NBR - EPDM - FKM 3 Tubo guía: Acero inox 4 Núcleo fijo y móvil: Acero inox AISI 430FR 5 Muelle: Acero inox		1 Corpo: Latão CW617N 2 Vedações: NBR - EPDM - FKM 3 Tubo Guia: Aço-inox 4 Núcleo fixo e móvel I: Aço-inox AISI 430FR 5 Mola: Aço-inox	



Pressione massima ammissibile
 Maximum allowable pressure
 Max. Betriebsdruck
 Pression de service max.
 Presión máxima admisible
 Pressão máxima admissível

25 bar



Tabella compatibilità e materiali
 Compatibility and materials table
 Beständigkeitsübersicht
 Tableau de compatibilité des matériaux
 Tabla de compatibilidad de materiales
 Tabela de compatibilidade química

Pag. 0.21 - 0.22



Temperatura ambiente con bobine in classe H
 Room temperature with coil class H
 Raumtemperatur, mit Spule der Klasse H
 Température ambiante, avec bobine classe H
 Temperatura ambiente con bobina clase H
 Temperatura ambiente com bobina de classe H

**- 10 °C
 + 80 °C**

OPZIONI SU RICHIESTA - OPTIONS ON REQUEST - OPTIONEN AUF ANFRAGE - OPTIONS SUR DEMANDE - OPCIONES BAJO PEDIDO - OPÇÕES SOB ENCOMENDA

Versione idonea per utilizzo con ossigeno industriale - Version suitable for use with industrial oxygen - Version für industrie sauerstoff
 Version adaptée à une utilisation avec de l'oxygène industriel - Versión idónea para el uso con oxígeno industrial - Versão adequada para utilização com oxigênio industrial

Trattamento superficiale di nichelatura chimica componenti in ottone - Chemical nickel plating treatment for brass components - Chemische vernickelung Messingkomponenten
 Traitement surface nickelage chimique composants laiton - Tratamiento superficial niquelatura química componentes latón - Tratamento superficial niquelação química componentes latão

Code	Materiale tenute Sealing materials Dichtungswerkstoffe Matériau joint Material juntas Material das vedações	Conessioni Port size Verbindungen Connexions Conexiones Conexões	Ø Orifizio Ø Orifice Ø Dn Ø Passage Ø Orificio Ø Orificio	Viscosità Viscosity Viskosität Viscosité Viscosidad Viscosidade	Kv	Pressione differenziale (OPD) Differential pressure (OPD) Differenzdruck (OPD) Pression différentielle (OPD) Presión diferencial (OPD) Pressão diferencial (OPD)			Potenza Power Leistung Puissance Potencia		Bobine Coils Spulen Bobines Bobinas Bobinas	
						Min	Max DC	Max AC	DC	AC	Size	Serie C - pag. 19.5 D - pag. 19.6 E - pag. 19.7
		ISO 228	mm	cSt	m ³ /h	Bar			W	VA	mm	

T Con spillo di regolazione e senza comando manuale - With speed regulator and without Manual override - Mit Durchflussregler und ohne handbetätigung
Avec vis de réglage et sans commande manuelle - Con pin de regulación y sin comando manual - Com regulador de velocidad e sem acionamento manual

04F XF 1 40 _ T	N = NBR -10°C +90°C	1"1/4	40	25	24	0.20	10	10	8	14	30	C - SOL20
							10	10	14	21	30	D - SOL20
							10	10	22	31	36	E - SOL21
04F XG 1 40 _ T	V = FKM -10°C +140°C	1"1/2	40	25	25.3	0.20	10	10	8	14	30	C - SOL20
							10	10	14	21	30	D - SOL20
							10	10	22	31	36	E - SOL21
04F XH 1 50 _ T	E = EPDM -10°C +140°C	2"	50	25	41	0.20	10	10	8	14	30	C - SOL20
							10	10	14	21	30	D - SOL20
							10	10	22	31	36	E - SOL21

1 Con spillo di regolazione e con comando manuale - With speed regulator and with Manual override - Mit Durchflussregler und mit handbetätigung
Avec vis de réglage et avec commande manuelle - Con pin de regulación y con comando manual - Com regulador de velocidad e com acionamento manual

04F XF 1 40 _ 1	N = NBR -10°C +90°C	1"1/4	40	25	24	0.20	10	10	8	14	30	C - SOL20
							10	10	14	21	30	D - SOL20
							10	10	22	31	36	E - SOL21
04F XG 1 40 _ 1	V = FKM -10°C +140°C	1"1/2	40	25	25.3	0.20	10	10	8	14	30	C - SOL20
							10	10	14	21	30	D - SOL20
							10	10	22	31	36	E - SOL21
04F XH 1 50 _ 1	E = EPDM -10°C +140°C	2"	50	25	41	0.20	10	10	8	14	30	C - SOL20
							10	10	14	21	30	D - SOL20
							10	10	22	31	36	E - SOL21

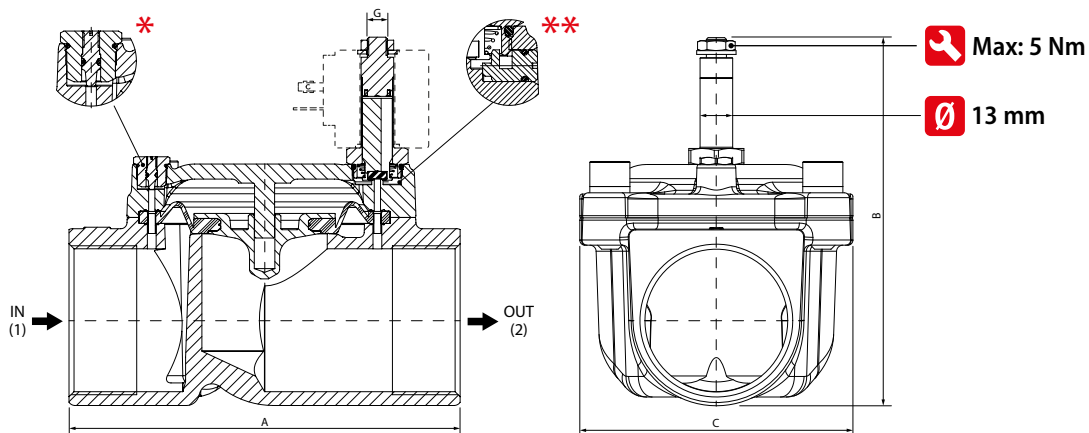
① Selezionare tenuta - Select seal material - Wählen Sie das Dichtungsmaterial aus - Sélectionner matériau d'étanchéité - Seleccionar material sellado - Seleccionar material de vedação

EPDM - P max= 2.5 bar: Con vapore - With steam - Mit dampf - Avec vapeur - Con vapor - Com vapor

Bobina non inclusa - Coil not included - Magnetspulen separat - Bobines non incluse - Bobina no incluida - Bobinas não incluídas

* Spillo di regolazione
* Speed regulator
* Durchflussregler
* Vis de réglage
* Pin de regulación
* Regulador de velocidad

** Comando manuale
** Manual override
** Handbetätigung
** Commande manuelle
** Comando manual
** Acionamento manual



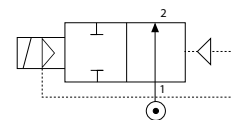
Size	A	B	C	G
1"1/4	140	127	98	M8 x 1
1"1/2	140	127	98	M8 x 1
2"	156	147	109	M8 x 1

SERIE 04F

ELETTRIVOLVILE SERVO-AZIONATE CON CORPO IN OTTONE

SERVO-ASSISTED SOLENOID VALVES WITH BRASS BODY
 SERVO-GESTEUERTE MAGNETVENTILE MIT MESSINGGEHÄUSE
 ÉLECTROVANNES SERVO ASSISTEES AVEC CORPS EN LAITON
 ELECTROVALVULA SERVOACCIONADA CON CUERPO DE LATÓN
 ELETRIVÁLVULAS SERVO-PILOTADAS COM CORPO DE LATÃO

2/2 NO **1/4" → 1"**



Tubo guida in Acciaio Inox su richiesta
 Stainless Steel armature tube on request
 Führungsrohr aus Edelstahl auf anfrage
 Tube de pilotage en Acier Inox sur demande
 Tubo guíae en Acero Inox bajo pedido
 Tubo Guia de Aço-Inox sob pedido

IT	Materials and Components	GB	Materialien und Komponenten	DE	
1	Corpo: Ottone CW617N	1	Körper: Messing CW617N	1	Corpo: Latão CW617N
2	Tenute: NBR - EPDM - FKM	2	Dichtung: NBR, EPDM, FKM	2	Juntas: NBR, EPDM, FKM
3	Tubo guida: Ottone	3	Führungsrohr: Messing	3	Tube de pilotage: Laiton
4	Nucleo fisso e mobile: Acciaio Inox AISI 430FR	4	Kern: Edelstahl AISI 430FR	4	Noyau: Acier inox AISI 430FR
5	Molle: Acciaio Inox	5	Feder: Edelstahl	5	Ressort: Acier inox
FR	Materials y componentes	ES	Materialis e Componentes	PT	
1	Corps: Laiton CW617N	1	Cuerpo: Latón CW617N	1	Corpo: Latão CW617N
2	Joints: NBR, EPDM, FKM	2	Juntas: NBR - EPDM - FKM	2	Vedações: NBR, EPDM, FKM
3	Tube de pilotage: Laiton	3	Tubo guía: Latón	3	Tubo Guia: Latão
4	Noyau: Acier inox AISI 430FR	4	Núcleo fijo y móvil: Acero inox AISI 430FR	4	Núcleo fixo e móvel I: Aço-inox AISI 430FR
5	Ressort: Acier inox	5	Muelle: Acero inox	5	Mola: Aço-inox

Bar **Pressione massima ammissibile**
 Maximum allowable pressure
 Max. Betriebsdruck
 Pression de service max.
 Presión máxima admisible
 Pressão máxima admissível

25 bar

Tabella compatibilità e materiali
 Compatibility and materials table
 Beständigkeitsübersicht
 Tableau de compatibilité des matériaux
 Tabla de compatibilidad de materiales
 Tabela de compatibilidade química

Pag. 0.21 - 0.22

Temperatura ambiente con bobine in classe H
 Room temperature with coil class H
 Raumtemperatur, mit Spule der Klasse H
 Température ambiante, avec bobine classe H
 Temperatura ambiente con bobina clase H
 Temperatura ambiente com bobina de classe H

- 10 °C
+ 80 °C

OPZIONI SU RICHIESTA - OPTIONS ON REQUEST - OPTIONEN AUF ANFRAGE - OPTIONS SUR DEMANDE - OPCIONES BAJO PEDIDO - OPÇÕES SOB ENCOMENDA
Tubo guida in Acciaio Inox - Stainless Steel armature tube - Führungsrohr aus Edelstahl Tube de pilotage en Acier Inox - Tubo guíae en Acero Inox - Tubo Guia de Aço-Inox
Versione idonea per utilizzo con ossigeno industriale - Version suitable for use with industrial oxygen - Version für industrie sauerstoff Version adaptée à une utilisation avec de l'oxygène industriel - Versión idónea para el uso con oxígeno industrial - Versão adequada para utilização com oxigênio industrial
Trattamento superficiale di nichelatura chimica componenti in ottone - Chemical nickel plating treatment for brass components - Chemische vernickelung Messingkomponenten Traitement surface nickelage chimique composants laiton - Tratamiento superficial niquelatura química componentes latón - Tratamento superficial niquelação química componentes latão

Code	Materiale tenute Sealing materials Dichtungswerkstoffe Matériau joint Material juntas Material das vedações	Conessioni Port size Verbindungen Connexions Conexiones Conexões	Ø Orifizio Ø Orifice Ø Dn Ø Passage Ø Orificio Ø Orificio	Viscosità Viscosity Viskosität Viscosité Viscosidad Viscosidade	Kv	Pressione differenziale (OPD) Differential pressure (OPD) Differenzdruck (OPD) Pression différentielle (OPD) Presión diferencial (OPD) Pressão diferencial (OPD)			Potenza Power Leistung Puissance Potencia Potência			Bobine Coils Spulen Bobines Bobinas Bobinas	
						Bar			DC	AC	ATEX Ex m	Size	Serie A - pag. 19.2 B - pag. 19.3 X - pag. 19.4
①	①	ISO 228	mm	cSt	m ³ /h	Min	Max DC	Max AC	W	VA	W	mm	

0 Senza comando manuale - Without manual override - Ohne handbetätigung
Sans commande manuelle - Sin comando manual - Sem acionamento manual

04F 03 2 10 _ 0	N = NBR -10°C +90°C	1/4"	10	25	1.88	0.15	-	10	-	7.5	-	22	A - SOL10
							10	10	8	11	-	30	B - SOL11
							10	10	-	-	5.3	30	X - SOLX4
04F 04 2 14 _ 0	N = NBR -10°C +90°C	3/8"	14	25	3.32	0.15	-	10	-	7.5	-	22	A - SOL10
							10	10	8	11	-	30	B - SOL11
							10	10	-	-	5.3	30	X - SOLX4
04F 05 2 14 _ 0	V = FKM -10°C +140°C	1/2"	14	25	3.53	0.15	-	10	-	7.5	-	22	A - SOL10
							10	10	8	11	-	30	B - SOL11
							10	10	-	-	5.3	30	X - SOLX4
04F 07 2 18 _ 0	E = EPDM -10°C +140°C	3/4"	18	25	5.56	0.15	-	10	-	7.5	-	22	A - SOL10
							10	10	8	11	-	30	B - SOL11
							10	10	-	-	5.3	30	X - SOLX4
04F 09 2 25 _ 0	E = EPDM -10°C +140°C	1"	25	25	10.97	0.15	-	10	-	7.5	-	22	A - SOL10
							10	10	8	11	-	30	B - SOL11
							10	10	-	-	5.3	30	X - SOLX4

2 Senza comando manuale e con membrana rinforzata e guidata - Without manual override and with reinforced and guided diaphragm - Ohne Handbetätigung und mit verstärkter und geführter Membrane
Sans commande manuelle et avec membrane renforcée et guidée - Sin comando manual y con membrana reforzada y guiada - Sem acionamento manual e com membrana reforçada e guiada

04F 07 2 18 _ 2	N = NBR -10°C +90°C	3/4"	18	25	4.91	0.15	-	10	-	7.5	-	22	A - SOL10
							10	10	8	11	-	30	B - SOL11
							10	10	-	-	5.3	30	X - SOLX4
04F 09 2 25 _ 2	E = EPDM -10°C +140°C	1"	25	25	9.32	0.15	-	10	-	7.5	-	22	A - SOL10
							10	10	8	11	-	30	B - SOL11
							10	10	-	-	5.3	30	X - SOLX4

① Selezionare tenuta - Select seal material - Wählen Sie das Dichtungsmaterial aus - Sélectionner matériau d'étanchéité - Seleccionar material sellado - Seleccionar material de vedação

EPDM - P max= 2.5 bar: Con vapore - With steam - Mit dampf - Avec vapeur - Con vapor - Com vapor

Bobina non inclusa - Coil not included - Magnetspulen separat - Bobines non incluse - Bobina no incluida - Bobinas não incluídas



Con spillo di regolazione
With speed regulator
Mit Durchflussregler
Avec vis de réglage
Con pin de regulación
Com regulador de velocidad

2/2 NO **1/4" → 1"**

Spillo di regolazione IT	Speed regulator GB	Durchflussregler DE
Permette di regolare la velocità di apertura e chiusura della membrana.	Allow to adjust the opening and closing diaphragm speed.	Lassen Sie die Öffnungs- und Schließgeschwindigkeit der Membran einstellen.
Vis de réglage FR	Pin de regulación ES	Regulador de velocidad PT
Permet de régler la vitesse d'ouverture et de fermeture de la membrane.	Permite regular la velocidad de apertura y cierre de la membrana.	Permite ajustar a velocidade de abertura e fechamento da membrana.

Code	Materiale tenuta Sealing materials Dichtungswerkstoffe Matériau joint Material juntas Material das vedações	Connessioni Port size Verbindungen Connexions Conexiones Conexões	Ø Orifizio Ø Orifice Ø Dn Ø Passage Ø Orificio Ø Orificio	Viscosità Viscosity Viskosität Viscosité Viscosidad Viscosidade	Kv	Pressione differenziale (OPD) Differential pressure (OPD) Differenzdruck (OPD) Pression différentielle (OPD) Presión diferencial (OPD) Pressão diferencial (OPD)			Potenza Power Leistung Puissance Potencia Potência			Bobine Coils Spulen Bobines Bobinas Bobinas	
						Bar			DC	AC	ATEX Ex m	Size	Serie
					m ³ /h	Min	Max DC	Max AC	W	VA	W	mm	A - pag. 19,2 B - pag. 19,3 X - pag. 19,4

1 Con spillo di regolazione e senza comando manuale - With speed regulator and without Manual override - Mit Durchflussregler und ohne handbetätigung
Avec vis de réglage et sans commande manuelle - Con pin de regulación y sin comando manual - Com regulador de velocidade e sem acionamento manual

04F 07 2 18 _ 1	N = NBR -10°C +90°C	3/4"	18	25	5.56	0.15	-	10	-	7.5	-	22	A - SOL10
	10						10	8	11	-	30	B - SOL11	
	10						10	-	-	5.3	30	X - SOLX4	
04F 09 2 25 _ 1	V = FKM -10°C +140°C	1"	25	25	10.97	0.15	-	10	-	7.5	-	22	A - SOL10
	10						10	8	11	-	30	B - SOL11	
	10						10	-	-	5.3	30	X - SOLX4	
	E = EPDM -10°C +140°C												

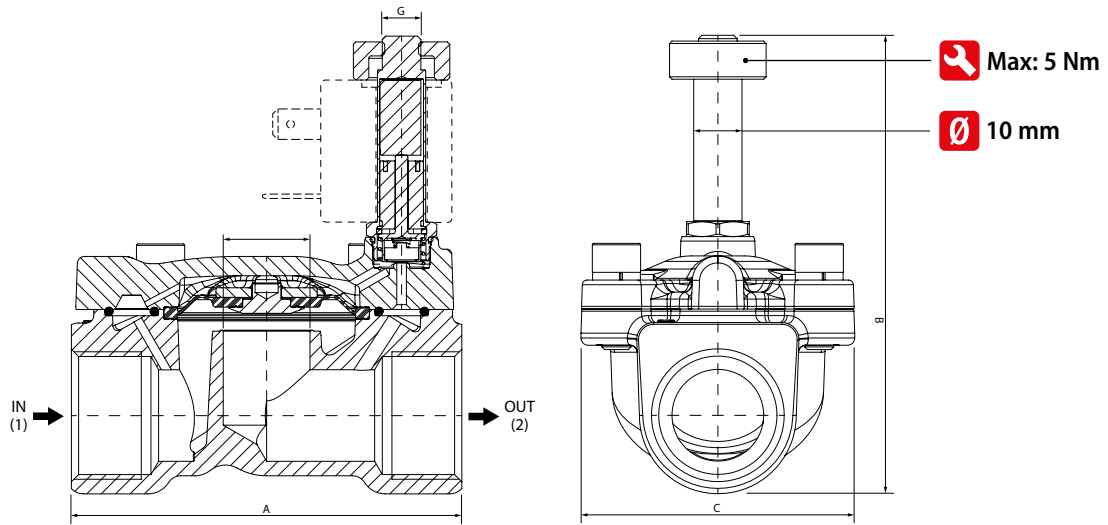
3 Con spillo di regolazione, senza comando manuale e con membrana rinforzata e guidata - With speed regulator, without manual override and with reinforced and guided diaphragm
Mit Durchflussregler und Ohne handbetätigung und mit verstärkter und geführter Membrane - Avec vis de réglage et sans commande manuelle et avec membrane renforcée et guidée
Con pin de regulación y sin comando manual y con membrana reforzada y guiada - Com regulador de velocidade e sem acionamento manual e com membrana reforçada e guiada

04F 07 2 18 _ 3	N = NBR -10°C +90°C	3/4"	18	25	4.91	0.15	-	10	-	7.5	-	22	A - SOL10
	10						10	8	11	-	30	B - SOL11	
	10						10	-	-	5.3	30	X - SOLX4	
04F 09 2 25 _ 3	V = FKM -10°C +140°C	1"	25	25	9.32	0.15	-	10	-	7.5	-	22	A - SOL10
	10						10	8	11	-	30	B - SOL11	
	10						10	-	-	5.3	30	X - SOLX4	
	E = EPDM -10°C +140°C												

① Selezionare tenuta - Select seal material - Wählen Sie das Dichtungsmaterial aus - Sélectionner matériau d'étanchéité - Seleccionar material sellado - Seleccionar material de vedação

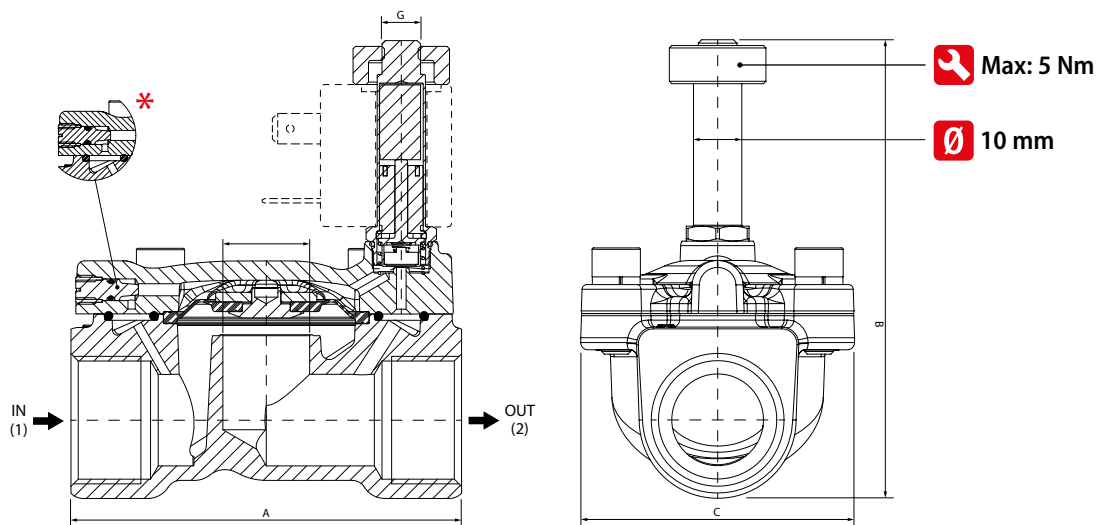
EPDM - P max= 2.5 bar: Con vapore - With steam - Mit dampf - Avec vapeur - Con vapor - Com vapor

Bobina non inclusa - Coil not included - Magnetspulen separat - Bobines non incluse - Bobina no incluida - Bobinas não incluídas



Size	A	B	C	G
1/4"	55.5	76.6	35.2	M8 x 1
3/8"	65.3	84.2	46.4	M8 x 1
1/2"	65.3	84.2	46.4	M8 x 1
3/4"	81	95	56.7	M8 x 1
1"	95	101.1	65	M8 x 1

* Spillo di regolazione
 * Speed regulator
 * Durchflussregler
 * Vis de réglage
 * Pin de regulación
 * Regulador de velocidad



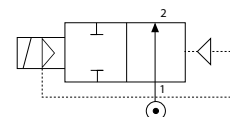
Size	A	B	C	G
3/4"	81	95	56.7	M8 x 1
1"	95	101.1	65	M8 x 1

SERIE 04F

ELETTRIVALVOLE SERVO-AZIONATE CON CORPO IN OTTONE

SERVO-ASSISTED SOLENOID VALVES WITH BRASS BODY
 SERVO-GESTEUERTE MAGNETVENTILE MIT MESSINGGEHÄUSE
 ÉLECTROVANNES SERVO ASSISTEES AVEC CORPS EN LAITON
 ELECTROVALVULA SERVOACCIONADA CON CUERPO DE LATÓN
 ELETRÓVALVULAS SERVO-PILOTADAS COM CORPO DE LATÃO

2/2 NO **1"1/4 → 2"**



Tubo guida in Acciaio Inox su richiesta
 Stainless Steel armature tube on request
 Führungsrohr aus Edelstahl auf Anfrage
 Tube de pilotage en Acier Inox sur demande
 Tubo guía en Acero Inox bajo pedido
 Tubo Guia de Aço-Inox sob pedido

IT	Materials and Components	GB	Materialien und Komponenten	DE	
1	Corpo: Ottone CW617N	1	Körper: Messing CW617N	1	Corpo: Latão CW617N
2	Tenute: NBR - EPDM - FKM	2	Dichtung: NBR, EPDM, FKM	2	Vedações: NBR, EPDM, FKM
3	Tubo guida: Ottone	3	Führungsrohr: Messing	3	Tubo Guia: Latão
4	Nucleo fisso e mobile: Acciaio Inox AISI 430FR	4	Kern: Edelstahl AISI 430FR	4	Núcleo fixo e móvel I: Aço-inox AISI 430FR
5	Molle: Acciaio Inox	5	Feder: Edelstahl	5	Ressort: Acier inox

FR	Materials y componentes	ES	Materialis e Componentes	PT	
1	Corps: Laiton CW617N	1	Cuerpo: Latón CW617N	1	Corpo: Latão CW617N
2	Joints: NBR, EPDM, FKM	2	Juntas: NBR - EPDM - FKM	2	Vedações: NBR, EPDM, FKM
3	Tube de pilotage: Laiton	3	Tubo guía: Latón	3	Tubo Guia: Latão
4	Noyau: Acier inox AISI 430FR	4	Núcleo fijo y móvil: Acero inox AISI 430FR	4	Núcleo fixo e móvel I: Aço-inox AISI 430FR
5	Ressort: Acier inox	5	Muelle: Acero inox	5	Mola: Aço-inox



Pressione massima ammissibile
 Maximum allowable pressure
 Max. Betriebsdruck
 Pression de service max.
 Presión máxima admisible
 Pressão máxima admissível

25 bar



Tabella compatibilità e materiali
 Compatibility and materials table
 Beständigkeitsübersicht
 Tableau de compatibilité des matériaux
 Tabla de compatibilidad de materiales
 Tabela de compatibilidade química

Pag. 0.21 - 0.22



Temperatura ambiente con bobine in classe H
 Room temperature with coil class H
 Raumtemperatur, mit Spule der Klasse H
 Température ambiante, avec bobine classe H
 Temperatura ambiente con bobina clase H
 Temperatura ambiente com bobina de classe H

**- 10 °C
 + 80 °C**

OPZIONI SU RICHIESTA - OPTIONS ON REQUEST - OPTIONEN AUF ANFRAGE - OPTIONS SUR DEMANDE - OPCIONES BAJO PEDIDO - OPÇÕES SOB ENCOMENDA

Tubo guida in Acciaio Inox - Stainless Steel armature tube - Führungsrohr aus Edelstahl
 Tube de pilotage en Acier Inox - Tubo guía en Acero Inox - Tubo Guia de Aço-Inox

Versione idonea per utilizzo con ossigeno industriale - Version suitable for use with industrial oxygen - Version für industrie sauerstoff
 Version adaptée à une utilisation avec de l'oxygène industriel - Versión idónea para el uso con oxígeno industrial - Versão adequada para utilização com oxigênio industrial

Trattamento superficiale di nichelatura chimica componenti in ottone - Chemical nickel plating treatment for brass components - Chemische vernickelung Messingkomponenten
 Traitement surface nickelage chimique composants laiton - Tratamiento superficial niquelatura química componentes latón - Tratamento superficial niquelação química componentes latão

Code	Materiale tenute Sealing materials Dichtungswerkstoffe Matériau joint Material juntas Material das vedações	Conessioni Port size Verbindungen Connexions Conexiones Conexões	Ø Orifizio Ø Orifice Ø Dn Ø Passage Ø Orificio Ø Orificio	Viscosità Viscosity Viskosität Viscosité Viscosidad Viscosidade	Kv	Pressione differenziale (OPD) Differential pressure (OPD) Differenzdruck (OPD) Pression différentielle (OPD) Presión diferencial (OPD) Pressão diferencial (OPD)			Potenza Power Leistung Puissance Potencia		Bobine Coils Spulen Bobines Bobinas Bobinas	
						Min	Max DC	Max AC	DC	AC	Size	Serie C - pag. 19.5 D - pag. 19.6 E - pag. 19.7
		ISO 228	mm	cSt	m ³ /h	Bar						

1 Con spillo di regolazione e senza comando manuale - With speed regulator and without Manual override - Mit Durchflussregler und ohne handbetätigung
Avec vis de réglage et sans commande manuelle - Con pin de regulación y sin comando manual - Com regulador de velocidade e sem acionamento manual

04F XF 2 40 _ 1	N = NBR -10°C +90°C	1"1/4	40	25	24	0.20	-	10	-	14	30	C - SOL20
							10	10	14	21	30	D - SOL20
							10	10	22	31	36	E - SOL21
04F XG 2 40 _ 1	V = FKM -10°C +140°C	1"1/2	40	25	25.3	0.20	-	10	-	14	30	C - SOL20
							10	10	14	21	30	D - SOL20
							10	10	22	31	36	E - SOL21
04F XH 2 50 _ 1	E = EPDM -10°C +140°C	2"	50	25	41	0.20	-	10	-	14	30	C - SOL20
							10	10	14	21	30	D - SOL20
							10	10	22	31	36	E - SOL21

① Selezionare tenuta - Select seal material - Wählen Sie das Dichtungsmaterial aus - Sélectionner matériau d'étanchéité - Seleccionar material sellado - Seleccionar material de vedação

EPDM - P max= 2.5 bar: Con vapore - With steam - Mit dampf - Avec vapeur - Con vapor - Com vapor

Bobina non inclusa - Coil not included - Magnetspulen separat - Bobines non incluse - Bobina no incluida - Bobinas não incluídas

* Spillo di regolazione

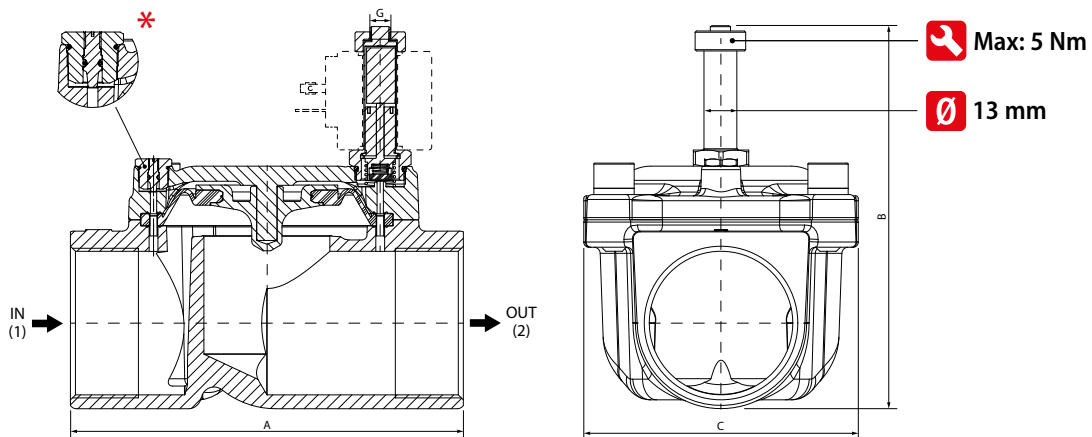
* Speed regulator

* Durchflussregler

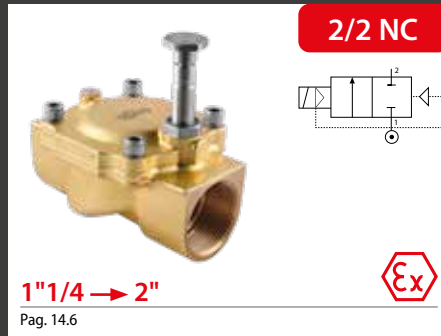
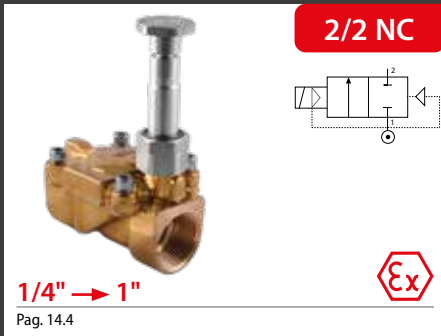
* Vis de réglage

* Pin de regulación

* Regulador de velocidade



Size	A	B	C	G
1"1/4	140	131.7	98	M8 x 1
1"1/2	140	131.7	98	M8 x 1
2"	156	151.7	109	M8 x 1



**ELETTROVALVOLE SERVO-AZIONATE
CON CORPO IN OTTONE PER BOBINA ATEX "SERIE Y"**

*SERVO-ASSISTED SOLENOID VALVES
WITH BRASS BODY FOR "SERIES Y" ATEX COIL
SERVO-GESTEUERTE MAGNETVENTILE
MIT MESSINGGEHÄUSE FÜR SPULE ATEX "Y-SERIE"
ELECTROVANNES SERVO ASSISTEES
AVEC CORPS EN LAITON POUR BOBINE ATEX "SERIE Y"
ELECTROVALVULA SERVOACCIONADA
CON CUERPO DE LATÓN PARA BOBINA ATEX "SERIE Y"
ELETROVÁLVULAS SERVO-PILOTADAS
COM CORPO DE LATÃO PARA BOBINA ATEX "SERIE Y"*



Serie 04A - Coil ATEX Ex d

Le elettrovalvole ATEX serie 04A – servo-azionate con corpo filettato in ottone – disponibili nella sola funzione 2/2 NC, si identificano per la possibilità di gestire portate elevate e per essere installate in atmosfere potenzialmente esplosive grazie all'utilizzo esclusivo con la bobina ATEX serie Y avente custodia a prova di esplosione con marcatura Ex d / Ex tb.

Anche la parte meccanica (valvola) è certificata ATEX II 2G/D Ex h, a completamento della garanzia del prodotto.

Principali vantaggi

- Installazione in atmosfere potenzialmente esplosive
- Valvola certificata ATEX II 2G/D Ex h
- Bobina certificata ATEX II 2G/D Ex d / Ex tb
- Connessioni da 1/4" a 2"
- Orifici dal Ø 10 mm al Ø 50 mm
- Pressioni di lavoro fino a 25 bar

Applicazioni

- Industria Chimica e Metallurgica
- Oil & Gas
- Ossigeno e Idrogeno

The ATEX 04A series solenoid valves – servo-assisted with threaded brass body – available in the 2/2 NC function only, are identified by the possibility of managing high flow rates and to be installed in potentially explosive atmospheres thanks to the exclusive use with the ATEX coil Y series having explosion-proof enclosure with marking Ex d / Ex tb.

Even the mechanical part (valve) is ATEX II 2G/D Ex h certified, completing the product warranty.

Main advantages

- Installation in potentially explosive atmospheres
- Valve certified ATEX II 2G/D Ex h
- Coil certified ATEX II 2G/D Ex d / Ex tb
- Connections from 1/4" to 2"
- Orifices from Ø 10 mm up to Ø 50 mm
- Working pressures up to 25 bar

Applications

- Chemical and Metallurgical industry
- Oil & Gas
- Oxygen and Hydrogen

Die servogesteuerten Magnetventile der Serie ATEX 04A – mit Messinggehäuse und Anschlußgewinden, sind nur in der Funktion 2/2 NC erhältlich. Die Ventile sind konzipiert für hohe Durchflussmengen und können durch die ausschließliche Verwendung der ATEX-Spule der Serie Y mit explosionsgeschütztem Gehäuse mit der Kennzeichnung Ex d / Ex tb, in explosionsgefährdeten Bereichen installiert werden. Auch der mechanische Teil (Ventil) ist ATEX II 2G/D Ex h zertifiziert, was die Produktsicherheit vervollständigt.

Vorteile

- Installation in potentiel explosiver Umgebung
- Ventil zertifiziert nach ATEX II 2G/D Ex h
- Magnetspule zertifiziert ATEX II 2G/D Ex d / Ex tb
- Anschlüsse von 1/4" to 2"
- Öffnungen von Ø 10 mm up to Ø 50 mm
- Betriebsdruck bis 25 bar

Anwendungen

- Chemische und Bergwerk Industrie
- Öl und Gas
- Sauerstoff und Wasserstoff

Les électrovannes de la série ATEX 04A – servo-assistées avec corps en laiton fileté – disponibles uniquement en fonction 2/2 NF, s'identifient par la possibilité de gérer des débits élevés et de pouvoir être installées dans des atmosphères potentiellement explosives grâce à l'utilisation exclusive avec les bobines ATEX série Y avec enveloppe antidéflagrante avec marquage Ex d / Ex tb.

La partie mécanique (vanne) est également certifiée ATEX II 2G/D Ex h, complétant la garantie du produit.

Principaux avantages

- Installation en atmosphères potentiellement explosives
- Vanne certifiée ATEX II 2G/D Ex h
- Bobine certifiée ATEX II 2G/D Ex d / Ex tb
- Connexions de 1/4" à 2"
- Orifices de Ø 10 mm à Ø 50 mm
- Pression jusqu'à 25 bar

Applications

- Industrie chimique et métallurgique
- Gaz de pétrole
- Oxygène et Hydrogène

Las electroválvulas de la serie ATEX 04A (servoasistidas con cuerpo de latón roscado) disponibles solo en la función 2/2 NC, se identifican por la posibilidad de gestionar caudales elevados y ser instaladas en atmósferas potencialmente explosivas gracias al uso exclusivo con el Bobina ATEX serie Y con encapsulado a prueba de explosiones con marcado Ex d / Ex tb.

Incluso la parte mecánica (válvula) está certificada ATEX II 2G/D Ex h, completando la garantía del producto.

Principales ventajas

- Instalación en atmósferas potencialmente explosivas
- Válvula certificada ATEX II 2G/D Ex h
- Bobina certificada ATEX II 2G/D Ex d / Ex tb
- Conexiones de 1/4" a 2"
- Orificios desde Ø 10 mm hasta Ø 50 mm
- Presiones de trabajo hasta 25 bar

Aplicaciones

- Industria química y metalúrgica
- Gas de petróleo
- Oxígeno e Hidrógeno

As válvulas solenóide da série ATEX 04A – servo-assistidas com corpo roscado em latão – disponíveis apenas na função 2/2 NF, distinguem-se pela possibilidade de gerir vazões elevadas e de serem instaladas em atmosferas potencialmente explosivas graças à utilização exclusiva com a bobina ATEX série Y com invólucro à prova de explosão com marcação Ex d / Ex tb.

Mesmo a parte mecânica (válvula) possui certificação ATEX II 2G/D Ex h, completando a garantia do produto.

Principais vantagens

- Instalação em atmosferas potencialmente explosivas
- Válvula certificada ATEX II 2G/D Ex h
- Bobina certificada ATEX II 2G/D Ex d / Ex tb
- Conexões de 1/4" a 2"
- Orifícios de Ø 10 mm até Ø 50 mm
- Pressões de trabalho até 25 bar

Aplicações

- Indústria Química e Metalúrgica
- Óleo & Gás
- Oxigênio e Hidrogênio



<p>Caratteristiche generali - 04A IT</p> <ul style="list-style-type: none"> - Posizione di montaggio consigliata orizzontale - Certificazione valvola: ATEX II 2G/D Ex h - Certificazione bobina: ATEX II 2G/D Ex d, Ex tb 	<p>General features - 04A GB</p> <ul style="list-style-type: none"> - Recommended horizontal mounting position - Valve certification: ATEX II 2G/D Ex h - Coil certification: ATEX II 2G/D Ex d, Ex tb 	<p>Eigenschaften - 04A DE</p> <ul style="list-style-type: none"> - Horizontale Einbaulage empfohlen - Ventilzertifizierung: ATEX II 2G/D Ex h - Spulezertifizierung: ATEX II 2G/D Ex d, Ex tb
<p>Caractéristiques générales - 04A FR</p> <ul style="list-style-type: none"> - Position de montage horizontale recommandée - Certification des vannes: ATEX II 2G/D Ex h - Certification de bobine: ATEX II 2G/D Ex d, Ex tb 	<p>Características generales - 04A ES</p> <ul style="list-style-type: none"> - Posición de montaje recomendada horizontal - Certificación de válvula: ATEX II 2G/D Ex h - Certificación de bobina: ATEX II 2G/D Ex d, Ex tb 	<p>Características gerais - 04A PT</p> <ul style="list-style-type: none"> - Posição de montagem aconselhada horizontal - Certificação de válvula: ATEX II 2G/D Ex h - Certificação de bobina: ATEX II 2G/D Ex d, Ex tb



Tabella dei codici di ordinazione

Ordering codes

Bestellschlüssel

Composition de la référence de commande

Tabla para definición de código

Tabela de código de compra

SERIE	ConneSSIONE Port size Masse Dimension Tamaño Tamanho	Funzione Functions Funktion Fonctions Función Funções	Orifizio Orifice Dn Passage Orifício Orificio	Materiale guarnizioni Sealing materials Dichtungswerkstoffe Matériaux des joints Material juntas Material das vedações	Versione Version Ausführung Version Versión Versão	Filettatura Thread Gewinde Filetage Rosca Rosca
-------	---	--	--	---	---	--

0	4	A	0	3	1	1	0	N	H	<input type="checkbox"/>	
03 = 1/4"	04 = 3/8"	05 = 1/2"	07 = 3/4"	09 = 1"	XF = 1"1/4	XG = 1"1/2	XH = 2"	1 = 2/2 NC	N = NBR E = EPDM V = FKM	H = Senza spillo di regolazione Without speed regulator Ohne Durchflussregler Sans vis de réglage Sin pin de regulación Sem regulador de velocidade	T = Con spillo di regolazione With speed regulator Mit Durchflussregler Avec vis de réglage Con pin de regulación Com regulador de velocidade
										= Gas N = NPTF (max 1")	

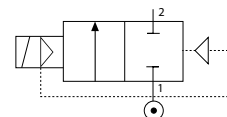
<p>BOBINA: SERIE Y COIL: SERIES Y SPULE: SERIES Y BOBINE: SÉRIES Y BOBINA: SERIES Y BOBINA: SÉRIES Y</p>	<p>PAG: 19.8 PAG: 19.8 PAG: 19.8 PAG: 19.8 PAG: 19.8 PAG: 19.8</p>	
---	---	--

SERIE 04A - ATEX

ELETTROVALVOLE SERVO-AZIONATE CON CORPO IN OTTONE PER BOBINA ATEX "SERIE Y"

SERVO-ASSISTED SOLENOID VALVES WITH BRASS BODY FOR "SERIES Y" ATEX COIL
 SERVO-GESTEUERTE MAGNETVENTILE MIT MESSINGGEHÄUSE FÜR SPULE ATEX "Y-SERIE"
 ELECTROVANNES SERVO ASSISTEES AVEC CORPS EN LAITON POUR BOBINE ATEX "SERIE Y"
 ELECTROVALVULA SERVOACCIONADA CON CUERPO DE LATÓN PARA BOBINA ATEX "SERIE Y"
 ELETTROVÁLVULAS SERVO-PILOTADAS COM CORPO DE LATÃO PARA BOBINA ATEX "SERIE Y"

2/2 NC **1/4" → 1"**



II 2 G/D
Ex d, Ex tb
IP66

Bobine certificate ATEX
ATEX certified coils
ATEX zertifizierte spule
Bobine certifiées ATEX
Bobina con certificación ATEX
Bobina certificadas ATEX

Materiali e Componenti	IT	Materials and Components	GB	Materialien und Komponenten	DE
1 Corpo: Ottone CW617N 2 Tenute: NBR - EPDM - FKM 3 Tubo guida: Acciaio Inox 4 Nucleo fisso e mobile: Acciaio Inox AISI 430FR 5 Molle: Acciaio Inox		1 Body: Brass CW617N 2 Seals: NBR - EPDM - FKM 3 Armature tube: Stainless steel 4 Fixed and mobile core: Stainless steel AISI 430FR 5 Springs: Stainless steel		1 Körper: Messing CW617N 2 Dichtung: NBR, EPDM, FKM 3 Führungsrohr: Edelstahl 4 Kern: Edelstahl AISI 430FR 5 Feder: Edelstahl	
Matériaux et Composants	FR	Materiales y componentes	ES	Materiais e Componentes	PT
1 Corps: Laiton CW617N 2 Joints: NBR, EPDM, FKM 3 Tube de pilotage: Acier inox 4 Noyau: Acier inox AISI 430FR 5 Ressort: Acier inox		1 Cuerpo: Latón CW617N 2 Juntas: NBR - EPDM - FKM 3 Tubo guía: Acero inox 4 Núcleo fijo y móvil: Acero inox AISI 430FR 5 Muelle: Acero inox		1 Corpo: Latão CW617N 2 Vedações: NBR, EPDM, FKM 3 Tubo Guia: Aço-inox 4 Núcleo fixo e móvel I: Aço-inox AISI 430FR 5 Mola: Aço-inox	

Pressione massima ammissibile
Maximum allowable pressure
Max. Betriebsdruck
Pression de service max.
Presión máxima admisible
Pressão máxima admissível

25 bar

Tabella compatibilità e materiali
Compatibility and materials table
Beständigkeitsübersicht
Tableau de compatibilité des matériaux
Tabla de compatibilidad de materiales
Tabela de compatibilidade química

Pag. 0.21 - 0.22

Valvola e bobina fornite separatamente
Valve and coil supplied separately
Ventil und Spule separat erhältlich
Vanne et bobine fournies séparément
Válvula y bobina suministradas por separado
Válvula e bobina fornecidas separadamente

<p>OPZIONI SU RICHIESTA - OPTIONS ON REQUEST - OPTIONEN AUF ANFRAGE - OPTIONS SUR DEMANDE - OPCIONES BAJO PEDIDO - OPÇÕES SOB ENCOMENDA</p>
<p>Versione idonea per utilizzo con ossigeno industriale - <i>Version suitable for use with industrial oxygen</i> - <i>Version für industrie sauerstoff</i> <i>Version adaptée à une utilisation avec de l'oxygène industriel</i> - <i>Versión idónea para el uso con oxígeno industrial</i> - <i>Versão adequada para utilização com oxigênio industrial</i></p>
<p>Trattamento superficiale di nichelatura chimica componenti in ottone - <i>Chemical nickel plating treatment for brass components</i> - <i>Chemische vernickelung Messingkomponenten</i> <i>Traitement surface nickelage chimique composants laiton</i> - <i>Tratamiento superficial niquelatura química componentes latón</i> - <i>Tratamento superficial niquelação química componentes latão</i></p>

Code	Materiale tenute Sealing materials Dichtungswerkstoffe Matériau joint Material juntas Material das vedações	Conessioni Port size Verbindungen Connexions Conexiones Conexões	Ø Orifizio Ø Orifice Ø Dn Ø Passage Ø Orificio Ø Orificio	Viscosità Viscosity Viskosität Viscosité Viscosidad Viscosidade	Kv	Pressione differenziale (OPD) Differential pressure (OPD) Differenzdruck (OPD) Pression différentielle (OPD) Presión diferencial (OPD) Pressão diferencial (OPD)			Potenza Power Leistung Puissance Potencia		Bobine Coils Spulen Bobines Bobinas Bobinas	
						Min	Max DC	Max AC	DC W	AC VA	Size mm	Serie Y - pag. 19.8
①	①	ISO 228	mm	cSt	m ³ /h	Bar						

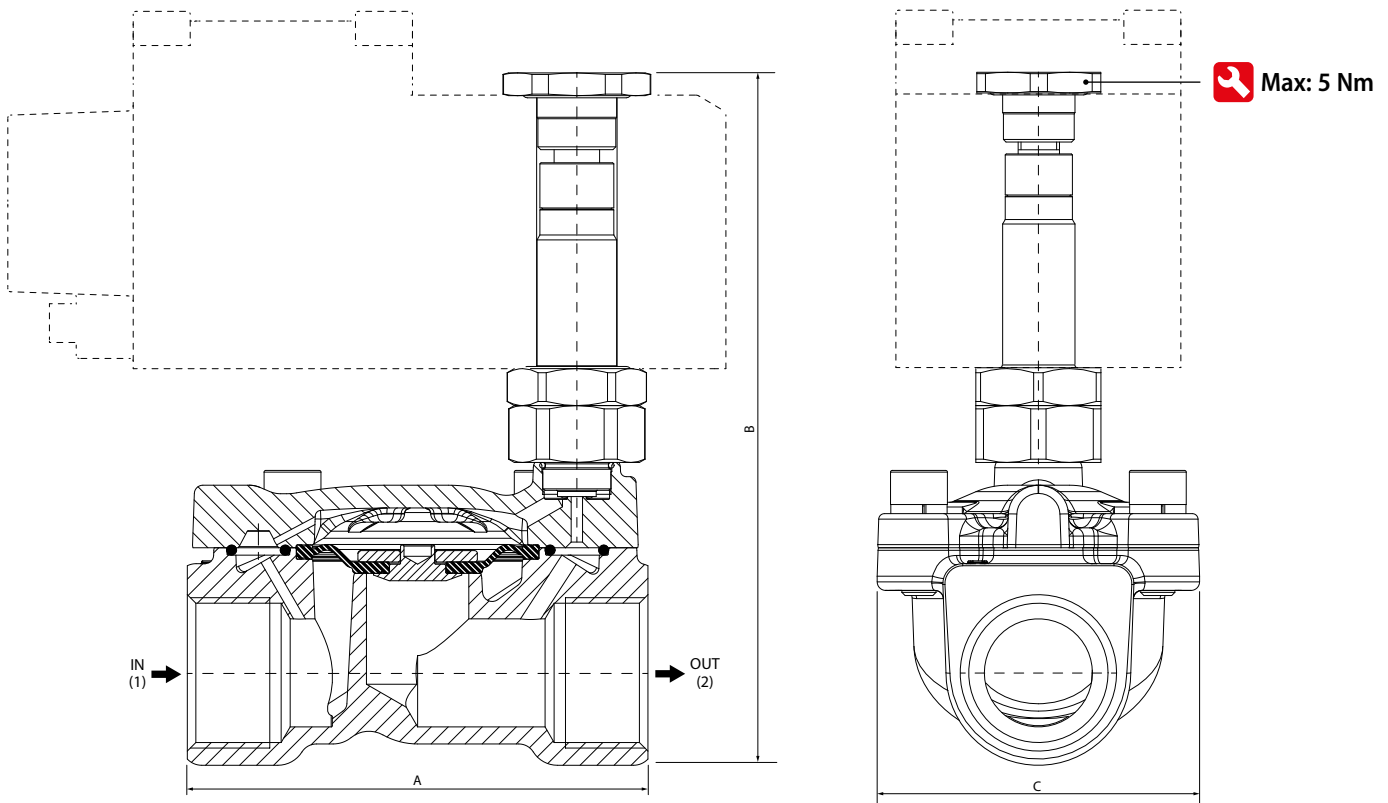
H Senza spillo di regolazione e senza comando manuale - Without speed regulator and without Manual override - ohne Durchflussregler und ohne handbetätigung
 Sans vis de réglage et sans commande manuelle - Sin pin de regulación y sin comando manual - Sem regulador de velocidade e sem acionamento manual

04A 03 1 10 _ H	N = NBR -10°C +90°C	1/4"	10	25	1.88	0.15	20	20	8	12	50	Y - SOLY0	
04A 04 1 14 _ H		3/8"	14	25	3.32	0.15	20	20	8	12	50	Y - SOLY0	
04A 05 1 14 _ H		V = FKM -10°C +140°C	1/2"	14	25	3.53	0.15	20	20	8	12	50	Y - SOLY0
04A 07 1 18 _ H		E = EPDM -10°C +140°C	3/4"	18	25	5.56	0.15	20	20	8	12	50	Y - SOLY0
04A 09 1 25 _ H		1"	25	25	10.97	0.15	20	20	8	12	50	Y - SOLY0	

① Selezionare tenuta - Select seal material - Wählen Sie das Dichtungsmaterial aus - Sélectionner matériau d'étanchéité - Seleccionar material sellado - Selecionar material de vedação

EPDM - P max= 2.5 bar: Con vapore - With steam - Mit dampf - Avec vapeur - Con vapor - Com vapor

Bobina non inclusa - Coil not included - Magnetspulen separat - Bobines non incluse - Bobina no incluida - Bobinas não incluídas



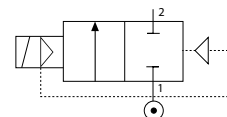
Size	A	B	C
1/4"	55.5	103.5	35.2
3/8"	65.3	111.1	46.4
1/2"	65.3	111.1	46.4
3/4"	1	121.9	56.7
1"	5	128	65

SERIE 04A - ATEX

ELETTROVALVOLE SERVO-AZIONATE CON CORPO IN OTTONE PER BOBINA ATEX "SERIE Y"

SERVO-ASSISTED SOLENOID VALVES WITH BRASS BODY FOR "SERIES Y" ATEX COIL
 SERVO-GESTEUERTE MAGNETVENTILE MIT MESSINGGEHÄUSE FÜR SPULE ATEX "Y-SERIE"
 ELECTROVANNES SERVO ASSISTEES AVEC CORPS EN LAITON POUR BOBINE ATEX "SERIE Y"
 ELECTROVALVULA SERVOACCIONADA CON CUERPO DE LATÓN PARA BOBINA ATEX "SERIE Y"
 ELETRÓVALVULAS SERVO-PILOTADAS COM CORPO DE LATÃO PARA BOBINA ATEX "SERIE Y"

2/2 NC **1"1/4 → 2"**



II 2 G/D
Ex d, Ex tb
IP66

Bobine certificate ATEX
ATEX certified coils
ATEX zertifizierte spule
Bobine certifiées ATEX
Bobina con certificación ATEX
Bobina certificadas ATEX

Materiali e Componenti	IT	Materials and Components	GB	Materialien und Komponenten	DE
1 Corpo: Ottone CW617N 2 Tenute: NBR - EPDM - FKM 3 Tubo guida: Acciaio Inox 4 Nucleo fisso e mobile: Acciaio Inox AISI 430FR 5 Molle: Acciaio Inox		1 Body: Brass CW617N 2 Seals: NBR - EPDM - FKM 3 Armature tube: Stainless steel 4 Fixed and mobile core: Stainless steel AISI 430FR 5 Springs: Stainless steel		1 Körper: Messing CW617N 2 Dichtung: NBR, EPDM, FKM 3 Führungsrohr: Edelstahl 4 Kern: Edelstahl AISI 430FR 5 Feder: Edelstahl	
1 Corps: Laiton CW617N 2 Joints: NBR, EPDM, FKM 3 Tube de pilotage: Acier inox 4 Noyau: Acier inox AISI 430FR 5 Ressort: Acier inox	FR	1 Cuerpo: Latón CW617N 2 Juntas: NBR - EPDM - FKM 3 Tubo guía: Acero inox 4 Núcleo fijo y móvil: Acero inox AISI 430FR 5 Muelle: Acero inox	ES	1 Corpo: Latão CW617N 2 Vedações: NBR, EPDM, FKM 3 Tubo Guia: Aço-inox 4 Núcleo fixo e móvel I: Aço-inox AISI 430FR 5 Mola: Aço-inox	PT

Pressione massima ammissibile
Maximum allowable pressure
Max. Betriebsdruck
Pression de service max.
Presión máxima admisible
Pressão máxima admissível

25 bar

Tabella compatibilità e materiali
Compatibility and materials table
Beständigkeitsübersicht
Tableau de compatibilité des matériaux
Tabla de compatibilidad de materiales
Tabela de compatibilidade química

Pag. 0.21 - 0.22

Valvola e bobina fornite separatamente
Valve and coil supplied separately
Ventil und Spule separat erhältlich
Vanne et bobine fournies séparément
Válvula y bobina suministradas por separado
Válvula e bobina fornecidas separadamente

OPZIONI SU RICHIESTA - OPTIONS ON REQUEST - OPTIONEN AUF ANFRAGE - OPTIONS SUR DEMANDE - OPCIONES BAJO PEDIDO - OPÇÕES SOB ENCOMENDA
Versione idonea per utilizzo con ossigeno industriale - Version suitable for use with industrial oxygen - Version für industrie sauerstoff Version adaptée à une utilisation avec de l'oxygène industriel - Versión idónea para el uso con oxígeno industrial - Versão adequada para utilização com oxigênio industrial
Trattamento superficiale di nichelatura chimica componenti in ottone - Chemical nickel plating treatment for brass components - Chemische vernickelung Messingkomponenten Traitement surface nickelage chimique composants laiton - Tratamiento superficial niquelatura química componentes latón - Tratamento superficial niquelação química componentes latão

Code	Materiale tenute Sealing materials Dichtungswerkstoffe Matériau joint Material juntas Material das vedações	Conessioni Port size Verbindungen Connexions Conexiones Conexões	Ø Orifizio Ø Orifice Ø Dn Ø Passage Ø Orificio Ø Orificio	Viscosità Viscosity Viskosität Viscosité Viscosidad Viscosidade	Kv	Pressione differenziale (OPD) Differential pressure (OPD) Differenzdruck (OPD) Pression différentielle (OPD) Presión diferencial (OPD) Pressão diferencial (OPD)			Potenza Power Leistung Puissance Potencia Potência		Bobine Coils Spulen Bobines Bobinas Bobinas	
						Min	Max DC	Max AC	DC W	AC VA	Size mm	Serie Y - pag. 19.8
①	①	ISO 228	mm	cSt	m ³ /h	Bar						

T Con spillo di regolazione e senza comando manuale - With speed regulator and without Manual override - Mit Durchflussregler und ohne handbetätigung
Avec vis de réglage et sans commande manuelle - Con pin de regulación y sin comando manual - Com regulador de velocidade e sem acionamento manual

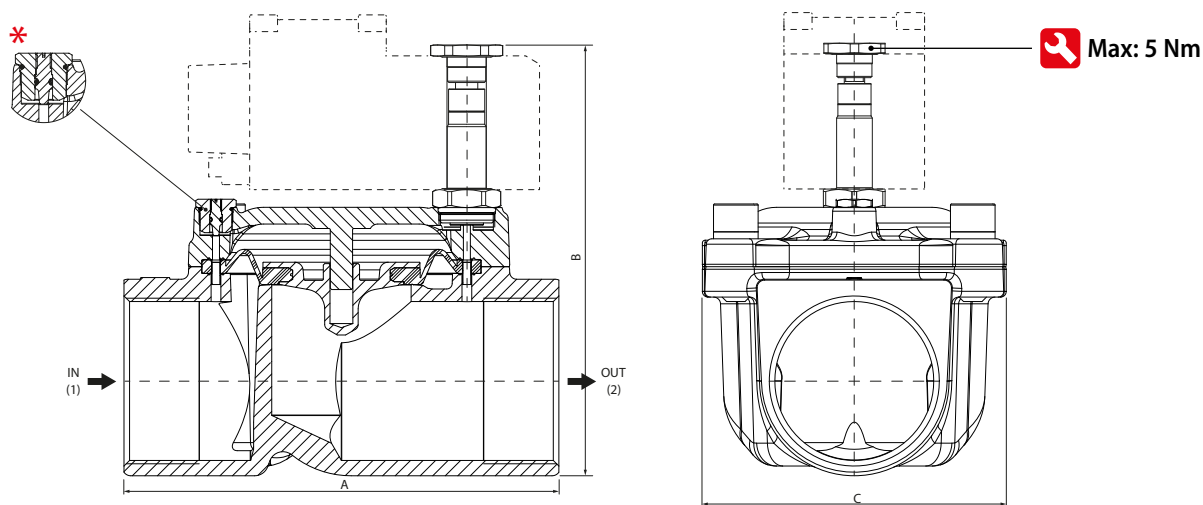
04A XF 1 40 _T	N = NBR -10°C +90°C	1"1/4	40	25	24	0.20	10	10	8	12	50	Y - SOLYO
04A XG 1 40 _T	V = FKM -10°C +140°C	1"1/2	40	25	25.3	0.20	10	10	8	12	50	Y - SOLYO
04A XH 1 50 _T	E = EPDM -10°C +140°C	2"	50	25	41	0.20	10	10	8	12	50	Y - SOLYO

① Selezionare tenuta - Select seal material - Wählen Sie das Dichtungsmaterial aus - Sélectionner matériau d'étanchéité - Seleccionar material sellado - Selecionar material de vedação


EPDM - P max= 2.5 bar: Con vapore - With steam - Mit dampf - Avec vapeur - Con vapor - Com vapor

Bobina non inclusa - Coil not included - Magnetspulen separat - Bobines non incluse - Bobina no incluida - Bobinas não incluídas

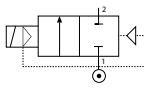
* Spillo di regolazione
* Speed regulator
* Durchflussregler
* Vis de réglage
* Pin de regulación
* Regulador de velocidade



Size	A	B	C
1"1/4	140	135	98
1"1/2	140	135	98
2"	156	135	109





2/2 NC

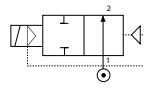


1/4" → 1"

Pag. 15.4





2/2 NO



1/4" → 1"

Pag. 15.6




22 mm

Serie A

Pag. 19.2




30 mm

Serie B

Pag. 19.3




30 mm

Serie X

Pag. 19.4




Connectors

Pag. 19.9 / 19.10



ELETTROVALVOLE SERVO-AZIONATE IN ACCIAIO INOX AISI 316L

SERVO-ASSISTED SOLENOID VALVES IN STAINLESS STEEL AISI 316L

SERVO-GESTEUERTE MAGNETVENTILE BETÄTIGUNG EDELSTAHL AISI 316L

ÉLECTROVANNES SERVO ASSISTEES EN ACIER INOX AISI 316L

ELECTROVALVULA SERVOACCIONADA EN ACERO INOX AISI 316L

ELETTROVALVULAS SERVO-PILOTADAS EM AÇO INOX AISI 316L

AISI 316L


II 2 G/D Ex h


**US
CSA C22.2**



Serie X4F

Le elettrovalvole serie X4F – servo-azionate con corpo filettato in acciaio inox 316L – si identificano per la possibilità di gestire portate elevate e per l'affidabilità nelle prestazioni che ne consentono l'utilizzo in una vasta gamma di applicazioni. Grazie ai materiali utilizzati offrono un'ottima compatibilità sia a contatto con fluidi aggressivi e corrosivi che alimentari. Garantiscono prestazioni elevate con bobine di diverse taglie e potenze (serie A e B), a basso consumo energetico, inclusa la possibilità di installazione in aree potenzialmente esplosive (con bobina ATEX serie X).

Principali vantaggi

- Contatto con fluidi alimentari, aggressivi e corrosivi
- Connessioni da 1/4" a 1"
- Orifici dal Ø 10 mm al Ø 25 mm
- Pressioni di lavoro fino a 25 bar
- Guarnizioni FKM e EPDM conformi FDA, ACS, WRAS
- Grado di protezione IP67 con connettore e kit antiumidità

Applicazioni

- Acqua, Oli, Liquidi neutri e corrosivi
- Gestione risorse idriche, Trattamento acque
- Industria alimentare, Sistemi di lavaggio
- Processi industriali, Refrigerazione
- Aria, Gas inerti e aggressivi
- Ossigeno, Vapore
- Industria Chimica e Petrochimica

The X4F series solenoid valves – servo-assisted with 316L stainless steel threaded body – stand out for their ability to handle high flow rates and for the reliable performance which allows to be used in a wide range of applications. Thanks to the materials used, it offer excellent compatibility both in contact with aggressive and corrosive fluids and with food fluids.

It guarantee high performance with coils of different sizes and powers (series A and B), low energy consumption, including the possibility of installation in potentially explosive environments (with ATEX coil X series).

Main advantages

- Contact with food, aggressive and corrosive fluids
- Connections from 1/4" to 1"
- Orifices from Ø 10 mm up to Ø 25 mm
- Working pressures up to 25 bar
- FKM and EPDM sealing compliant FDA, ACS, WRAS
- IP67 protection degree with connector and anti-humidity kit

Applications

- Water, Oils, Neutral and corrosive liquids
- Water management, Water treatment
- Food industry, Washing systems
- Industrial processes, Refrigeration
- Air, Inert and aggressive gases
- Oxygen, Steam
- Chemical and Petrochemical industry

Die servogesteuerten Magnetventile der Serie X4F – mit einem Gehäuse aus Edelstahl 316L – sind insbesondere für Anwendungen mit hohen Durchflussmengen sowie dem Einsatz in aggressiven und korrosiven Flüssigkeiten als auch mit flüssigen Lebensmitteln geeignet. Diese Eigenschaften bieten ein weites Anwendungsfeld.

Die Magnetventile garantieren mit Spulen verschiedener Größen und Leistungen (Serie A und B) und einen geringeren Energieverbrauch sowie der Möglichkeit der Installation in explosionsgefährdeten Umgebungen (mit der ATEX-Spule der Serie X).

Vorteile

- Kontakt mit Lebensmitteln, aggressiven und korrosiven Flüssigkeiten
- Anschlüsse von 1/4" bis 1"
- Öffnungen von Ø 10 mm bis zu Ø 25 mm
- Betriebsdruck bis zu 25 bar
- FKM- und EPDM-Dichtungen gemäß FDA, ACS, WRAS
- IP67 Schutz mit Anschlussstück und Anti-Feuchtigkeits-Kit

Anwendungen

- Wasser, Öle, neutrale und korrosive Flüssigkeiten
- Wassermanagement, Wasseraufbereitung
- Lebensmittelindustrie, Waschanlagen
- Industrielle Prozesse, Kältetechnik
- Luft, inerte und aggressive Gase
- Sauerstoff und Dampf
- Chemische und petrochemische Industrie

Les électrovannes de la série X4F – servo-assistées avec corps fileté en acier inoxydable 316L – se distinguent par leur capacité à gérer des débits élevés et par des performances fiables qui permettent de les utiliser dans une large gamme d'applications. Grâce aux matériaux utilisés, elle offre une excellente compatibilité aussi bien au contact des fluides agressifs et corrosifs qu'avec les fluides alimentaires.

Il garantit des performances élevées avec des bobines de différentes tailles et puissances (séries A et B), une faible consommation d'énergie, y compris la possibilité d'installation dans des environnements potentiellement explosifs (avec bobine ATEX série X).

Principaux avantages

- Contact avec aliments, fluides agressifs et corrosifs
- Connexions de 1/4" à 1"
- Orifices de Ø 10 mm à Ø 25 mm
- Pressions d'utilisation jusqu'à 25 bar
- Étanchéité FKM et EPDM conforme FDA, ACS, WRAS
- Degré de protection IP67 avec connecteur et kit anti-humidité

Applications

- Eau, Huiles, Liquides neutres et corrosifs
- Gestion de l'eau, Traitement de l'eau
- Industrie alimentaire, Systèmes de lavage
- Procédés industriels, Réfrigération
- Air, Gaz inertes et agressifs
- Oxygène, Vapeur
- Industrie chimique et pétrochimique

Las electroválvulas de la serie X4F, servoasistidas con cuerpo roscado de acero inoxidable 316L, destacan por su capacidad para manejar altos caudales y por un rendimiento fiable que permite ser utilizada en una amplia gama de aplicaciones. Gracias a los materiales utilizados, ofrece una excelente compatibilidad tanto en contacto con fluidos agresivos y corrosivos como con fluidos alimentarios.

Garantiza altas prestaciones con bobinas de diferentes tamaños y potencias (series A y B), bajo consumo energético, incluyendo la posibilidad de instalación en ambientes potencialmente explosivos (con bobina ATEX serie X).

Principales ventajas

- Contacto con alimentos, fluidos agresivos y corrosivos
- Conexiones de 1/4" a 1"
- Orificios desde Ø 10 mm hasta Ø 25 mm
- Presiones de trabajo hasta 25 bar
- Membranas FKM y EPDM conforme a FDA, ACS, WRAS
- Grado de protección IP67 con conector y kit antihumedad

Aplicaciones

- Agua, Aceites, Líquidos neutros y corrosivos
- Gestión del agua, Tratamiento de agua
- Industria alimentaria, Sistemas de lavado
- Procesos Industriales, Refrigeración
- Aire, Gases inertes y agresivos
- Oxígeno, Vapor
- Industria química y petroquímica

As válvulas solenoides da série X4F – servo-assistidas com corpo roscado em aço inoxidável 316L – destacam-se pela capacidade de lidar com altas vazões e pelo desempenho confiável que permite o uso em uma ampla gama de aplicações. Graças aos materiais utilizados, oferece excelente compatibilidade tanto em contato com fluidos agressivos e corrosivos quanto com fluidos alimentícios.

Garante alto desempenho com bobinas de diferentes tamanhos e potências (séries A e B), baixo consumo de energia, inclusive com possibilidade de instalação em ambientes potencialmente explosivos (com bobina ATEX série X).

Principais vantagens

- Contato com alimentos, fluidos agressivos e corrosivos
- Conexões de 1/4" a 1"
- Orifícios de Ø 10 mm até Ø 25 mm
- Pressões de trabalho até 25 bar
- Vedação FKM e EPDM compatível com FDA, ACS, WRAS
- Grau de proteção IP67 com conector e kit anti-umidade

Aplicações

- Água, óleos, líquidos neutros e corrosivos
- Gestão de água, Tratamento de água
- Indústria alimentar, Sistemas de limpeza e lavagem em geral
- Processos Industriais, Refrigeração
- Ar, gases inertes e agressivos
- Oxigênio, Vapor
- Indústria química e petroquímica



Caratteristiche generali - X4F IT - Posizione di montaggio consigliata orizzontale - Kit operatore Ø 10 mm - Certificazione valvole: ATEX II 2G/D Ex h - Bobine: classe H - - CSA C22.2 - ATEX II 2G/D Ex m	General features - X4F GB - Recommended horizontal mounting position - Operator kit Ø 10 mm - ATEX II 2G/D Ex h certification - Coils: Class H - - CSA C22.2 - ATEX II 2G/D Ex m	Eigenschaften - X4F DE - Horizontale Einbaulage empfohlen - Bausatz Ø 10 mm - ATEX II 2G/D Ex h zulassung - Spulenkategorie H - - CSA C22.2 - ATEX II 2G/D Ex m
Caractéristiques générales - X4F FR - Position de montage horizontale recommandée - Kit Pilote Ø 10 mm. - Certification ATEX II 2G/D Ex h - Bobine: classe H - - CSA C22.2 - ATEX II 2G/D Ex m	Características generales - x4F ES - Posición de montaje recomendada horizontal - Kit operador Ø 10 mm - Certificación ATEX II 2G/D Ex h - Bobinas: clase H - - CSA C22.2 - ATEX II 2G/D Ex m	Características gerais - X4F PT - Posição de montagem aconselhada horizontal - Kit do operador Ø 10 mm - Certificação ATEX II 2G/D Ex h - Bobinas: classe H - - CSA C22.2 - ATEX II 2G/D Ex m



Tabella dei codici di ordinazione

- Ordering codes
- Bestellschlüssel
- Composition de la référence de commande
- Tabla para definición de código
- Tabela de código de compra

SERIE	Connessione <i>Port size Masse Dimension Tamaño Tamanho</i>	Funzione <i>Functions Funktion Fonctions Función Funções</i>	Orifizio <i>Orifice Dn Passage Orifizio Orificio</i>	Materiale guarnizioni <i>Sealing materials Dichtungswerkstoffe Matériaux des joints Material juntas Material das vedações</i>	Versione <i>Version Ausführung Version Versión Versão</i>	Filettatura <i>Thread Gewinde Filetage Rosca Rosca</i>
-------	--	---	---	--	--	---

X 4 F	0 3	1	1 0	N	*	
03 = 1/4" 04 = 3/8" 05 = 1/2" 07 = 3/4" 09 = 1"	1 = 2/2 NC Normalmente chiusa <i>Normally closed Normalerweise geschlossen Normalement fermée Normalmente cerrada Normalmente fechada</i> 2 = 2/2 NO Normalmente aperta <i>Normally open Normalerweise offen Normalement ouvert Normalmente abierta Normalmente aberta</i>	10 = 10 mm 14 = 14 mm 18 = 18 mm 25 = 25 mm	N = NBR E = EPDM V = FKM	* = Selezionare la versione <i>Select the version Wählen Sie die Version Sélectionner la version Seleccione la versión Selecione a versão</i> ↓ 2/2 NC → Pag. 15.4 2/2 NO → Pag. 15.6 ↓ Ex: Version H → X4F 03 1 10 N H Version 0 → X4F 03 1 10 N 0	= Gas N = NPTF	

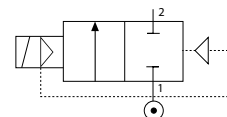
BOBINE: SERIE A, B, X COILS: SERIES A, B, X SPULEN: SERIES A, B, X BOBINES: SÉRIES A, B, X BOBINAS: SERIES A, B, X BOBINAS: SÉRIES A, B, X	PAG: 19.2 / 19.3 / 19.4 PAG: 19.2 / 19.3 / 19.4 PAG: 19.2 / 19.3 / 19.4 PAG: 19.2 / 19.3 / 19.4 PAG: 19.2 / 19.3 / 19.4 PAG: 19.2 / 19.3 / 19.4	CONNETTORI CONNECTORS STECKER CONNECTEURS CONECTORES CONECTORES
		PAG: 19.9 / 19.10 PAG: 19.9 / 19.10 PAG: 19.9 / 19.10 PAG: 19.9 / 19.10 PAG: 19.9 / 19.10 PAG: 19.9 / 19.10


SERIE X4F

ELETTROVALVOLE SERVO-AZIONATE CON CORPO IN ACCIAIO INOX AISI 316L

SERVO-ASSISTED SOLENOID VALVES IN STAINLESS STEEL AISI 316L
 SERVO-GESTEUERTE MAGNETVENTILE MIT KÖRPER EDELSTAHL AISI 316L
 ÉLECTROVANNES SERVO ASSISTEES AVEC CORPS EN ACIER INOX AISI 316L
 ELECTROVALVULA SERVOACCIONADA CON CUERPO EN ACERO INOX AISI 316L
 ELETRÓVALVULAS SERVO-PILOTADAS COM CORPO EM AÇO INOX AISI 316L


2/2 NC **1/4" → 1"**





Anello di sfasamento argentato su richiesta
 Silver-plated shading ring on request
 Versilberter Schattierungsring auf anfrage
 Anneau d'ombrage argentée sur demande
 Anillo de sombreado plateado bajo pedido
 Anel de sombreado banhado a prata sob pedido

Materiali e Componenti	IT	Materials and Components	GB	Materialien und Komponenten	DE
1 Corpo: Acciaio Inox AISI 316L 2 Tenute: NBR - EPDM - FKM 3 Tubo guida: Acciaio Inox 4 Nucleo fisso e mobile: Acciaio Inox AISI 430FR 5 Molle: Acciaio Inox 6 Anello di sfasamento: Rame		1 Body: Stainless steel AISI 316L 2 Seals: NBR - EPDM - FKM 3 Armature tube: Stainless steel 4 Fixed and mobile core: Stainless steel AISI 430FR 5 Springs: Stainless steel 6 Shading ring: Copper		1 Körper: Edelstahl AISI 316L 2 Dichtung: NBR - EPDM - FKM 3 Führungsrohr: Edelstahl 4 Kern: Edelstahl AISI 430FR 5 Feder: Edelstahl 6 Schattierung Ring: Kupfer	
Matériaux et Composants	FR	Materiales y componentes	ES	Materialis e Componentes	PT
1 Corps: Acier inox AISI 316L 2 Joints: NBR - EPDM - FKM 3 Tube de pilotage: Acier inox 4 Noyau: Acier inox AISI 430FR 5 Ressort: Acier inox 6 Anneaux d'ombrage : cuivre		1 Cuerpo: Acero inox AISI 316L 2 Juntas: NBR - EPDM - FKM 3 Tubo guía: Acero inox 4 Núcleo fijo y móvil: Acero inox AISI 430FR 5 Muelle: Acero inox 6 Anillo de sombreado: Cobre		1 Corpo: Aço-inox AISI 316L 2 Vedações: NBR - EPDM - FKM 3 Tubo Guia: Aço-inox 4 Núcleo fixo e móvel I: Aço-inox AISI 430FR 5 Mola: Aço-inox 6 Anel de sombreado: Cobre	



Pressione massima ammissibile
 Maximum allowable pressure
 Max. Betriebsdruck
 Pression de service max.
 Presión máxima admisible
 Pressão máxima admissível

25 bar





Tabella compatibilità e materiali
 Compatibility and materials table
 Beständigkeitsübersicht
 Tableau de compatibilité des matériaux
 Tabla de compatibilidad de materiales
 Tabela de compatibilidade química

Pag. 0.21 - 0.22



Temperatura ambiente con bobine in classe H
 Room temperature with coil class H
 Raumtemperatur, mit Spule der Klasse H
 Température ambiante, avec bobine classe H
 Temperatura ambiente con bobina classe H
 Temperatura ambiente com bobina de classe H

- 10 °C
+ 80 °C

OPZIONI SU RICHIESTA - OPTIONS ON REQUEST - OPTIONEN AUF ANFRAGE - OPTIONS SUR DEMANDE - OPCIONES BAJO PEDIDO - OPÇÕES SOB ENCOMENDA
Anello di sfasamento argentato - Silver-plated shading ring - Versilberter Schattierungsring Anneau d'ombrage argentée - Anillo de sombreado plateado - Anel de sombreado banhado a prata
Versione idonea per utilizzo con ossigeno industriale - Version suitable for use with industrial oxygen - Version für industrie sauerstoff Version adaptée à une utilisation avec de l'oxygène industriel - Versión idónea para el uso con oxígeno industrial - Versão adequada para utilização com oxigênio industrial

Code	Materiale tenute Sealing materials Dichtungswerkstoffe Matériau joint Material juntas Material das vedações	Conessioni Port size Verbindungen Connexions Conexiones Conexões	Ø Orifizio Ø Orifice Ø Dn Ø Passage Ø Orificio Ø Orificio	Viscosità Viscosity Viskosität Viscosité Viscosidad Viscosidade	Kv	Pressione differenziale (OPD) Differential pressure (OPD) Differenzdruck (OPD) Pression différentielle (OPD) Presión diferencial (OPD) Pressão diferencial (OPD)			Potenza Power Leistung Puissance Potencia Potência			Bobine Coils Spulen Bobines Bobinas Bobinas	
						Min	Max DC	Max AC	DC	AC	ATEX Ex m	Size	Series A - pag. 19.2 B - pag. 19.3 X - pag. 19.4
		ISO 228	mm	cSt	m ³ /h	Bar							

H

Senza comando manuale - Without manual override - Ohne handbetätigung
Sans commande manuelle - Sin comando manual - Sem acionamento manual

X4F 03 1 10 _H	N = NBR -10°C +90°C	1/4"	10	25	1.88	0.15	16	16	6.5	7.5	-	22	A - SOL10
							25	25	8	11	-	30	B - SOL11
								16	25	-	-	5.3	30
X4F 04 1 14 _H	N = NBR -10°C +90°C	3/8"	14	25	3.32	0.15	16	16	6.5	7.5	-	22	A - SOL10
							25	25	8	11	-	30	B - SOL11
								16	25	-	-	5.3	30
X4F 05 1 14 _H	V = FKM -10°C +140°C	1/2"	14	25	3.53	0.15	16	16	6.5	7.5	-	22	A - SOL10
							25	25	8	11	-	30	B - SOL11
								16	25	-	-	5.3	30
X4F 07 1 18 _H	E = EPDM -10°C +140°C	3/4"	18	25	5.56	0.15	16	16	6.5	7.5	-	22	A - SOL10
							25	25	8	11	-	30	B - SOL11
								16	25	-	-	5.3	30
X4F 09 1 25 _H		1"	25	25	10.97	0.15	16	16	6.5	7.5	-	22	A - SOL10
							25	25	8	11	-	30	B - SOL11
								16	25	-	-	5.3	30

O

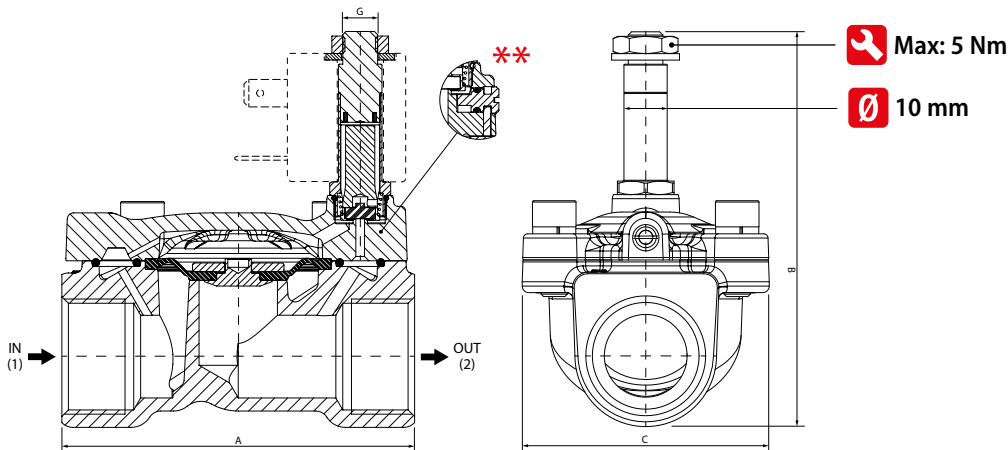
Con comando manuale - With manual override - Handbetätigung
Avec commande manuelle - Con comando manual - Com acionamento manual

X4F 03 1 10 _O	N = NBR -10°C +90°C	1/4"	10	25	1.88	0.15	16	16	6.5	7.5	-	22	A - SOL10
							25	25	8	11	-	30	B - SOL11
								16	25	-	-	5.3	30
X4F 04 1 14 _O	N = NBR -10°C +90°C	3/8"	14	25	3.32	0.15	16	16	6.5	7.5	-	22	A - SOL10
							25	25	8	11	-	30	B - SOL11
								16	25	-	-	5.3	30
X4F 05 1 14 _O	V = FKM -10°C +140°C	1/2"	14	25	3.53	0.15	16	16	6.5	7.5	-	22	A - SOL10
							25	25	8	11	-	30	B - SOL11
								16	25	-	-	5.3	30
X4F 07 1 18 _O	E = EPDM -10°C +140°C	3/4"	18	25	5.56	0.15	16	16	6.5	7.5	-	22	A - SOL10
							25	25	8	11	-	30	B - SOL11
								16	25	-	-	5.3	30
X4F 09 1 25 _O		1"	25	25	10.97	0.15	16	16	6.5	7.5	-	22	A - SOL10
							25	25	8	11	-	30	B - SOL11
								16	25	-	-	5.3	30

① Selezionare tenuta - Select seal material - Wählen Sie das Dichtungsmaterial aus - Sélectionner matériau d'étanchéité - Seleccionar material sellado - Seleccionar material de vedação

EPDM - P max= 2.5 bar: Con vapore - With steam - Mit dampf - Avec vapeur - Con vapor - Com vapor

Bobina non inclusa - Coil not included - Magnetspulen separat - Bobines non incluse - Bobina no incluida - Bobinas não incluídas



** Comando manuale
 ** Manual override
 ** Handbetätigung
 ** Commande manuelle
 ** Comando manual
 ** Acionamento manual

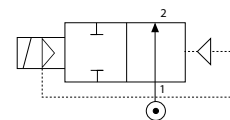
Size	A	B	C	G
1/4"	55.5	72.5	35.2	M8 x 0.75
3/8"	65.3	80.1	46.4	M8 x 0.75
1/2"	65.3	80.1	46.4	M8 x 0.75
3/4"	81	90.9	56.7	M8 x 0.75
1"	95	97	65	M8 x 0.75


SERIE X4F

ELETTROVALVOLE SERVO-AZIONATE CON CORPO IN ACCIAIO INOX AISI 316L

SERVO-ASSISTED SOLENOID VALVES IN STAINLESS STEEL AISI 316L
 SERVO-GESTEUERTE MAGNETVENTILE MIT KÖRPER EDELSTAHL AISI 316L
 ÉLECTROVANNES SERVO ASSISTEES AVEC CORPS EN ACIER INOX AISI 316L
 ELECTROVALVULA SERVOACCIONADA CON CUERPO EN ACERO INOX AISI 316L
 ELETRÓVALVULAS SERVO-PILOTADAS COM CORPO EM AÇO INOX AISI 316L


2/2 NO **1/4" → 1"**





Anello di sfasamento argentato su richiesta
 Silver-plated shading ring on request
 Versilberter Schattierungsring auf anfrage
 Anneau d'ombrage argentée sur demande
 Anillo de sombreado plateado bajo pedido
 Anel de sombreamento banhado a prata sob pedido

Materiali e Componenti	IT	Materials and Components	GB	Materialien und Komponenten	DE
1 Corpo: Acciaio Inox AISI 316L 2 Tenute: NBR - EPDM - FKM 3 Tubo guida: Acciaio Inox 4 Nucleo fisso e mobile: Acciaio Inox AISI 430FR 5 Molle: Acciaio Inox 6 Anello di sfasamento: Rame		1 Body: Stainless steel AISI 316L 2 Seals: NBR - EPDM - FKM 3 Armature tube: Stainless steel 4 Fixed and mobile core: Stainless steel AISI 430FR 5 Springs: Stainless steel 6 Shading ring: Copper		1 Körper: Edelstahl AISI 316L 2 Dichtung: NBR - EPDM - FKM 3 Führungsrohr: Edelstahl 4 Kern: Edelstahl AISI 430FR 5 Feder: Edelstahl 6 Schattierung Ring: Kupfer	
Matériaux et Composants	FR	Materiales y componentes	ES	Materialis e Componentes	PT
1 Corps: Acier inox AISI 316L 2 Joints: NBR - EPDM - FKM 3 Tube de pilotage: Acier inox 4 Noyau: Acier inox AISI 430FR 5 Ressort: Acier inox 6 Anneaux d'ombrage : cuivre		1 Cuerpo: Acero inox AISI 316L 2 Juntas: NBR - EPDM - FKM 3 Tubo guía: Acero inox 4 Núcleo fijo y móvil: Acero inox AISI 430FR 5 Muelle: Acero inox 6 Anillo de sombreado: Cobre		1 Corpo: Aço-inox AISI 316L 2 Vedações: NBR - EPDM - FKM 3 Tubo Guia: Aço-inox 4 Núcleo fixo e móvel I: Aço-inox AISI 430FR 5 Mola: Aço-inox 6 Anel de sombreamento: Cobre	



Pressione massima ammissibile
 Maximum allowable pressure
 Max. Betriebsdruck
 Pression de service max.
 Presión máxima admisible
 Pressão máxima admissível

25 bar





Tabella compatibilità e materiali
 Compatibility and materials table
 Beständigkeitsübersicht
 Tableau de compatibilité des matériaux
 Tabla de compatibilidad de materiales
 Tabela de compatibilidade química

Pag. 0.21 - 0.22



Temperatura ambiente con bobine in classe H
 Room temperature with coil class H
 Raumtemperatur, mit Spule der Klasse H
 Température ambiante, avec bobine classe H
 Temperatura ambiente con bobina classe H
 Temperatura ambiente com bobina de classe H

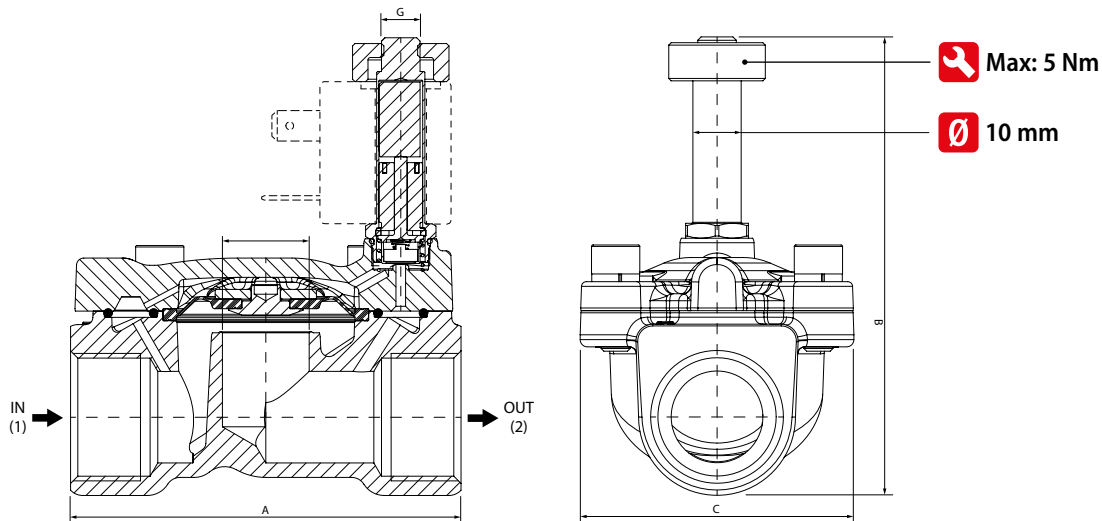
- 10 °C
+ 80 °C

OPZIONI SU RICHIESTA - OPTIONS ON REQUEST - OPTIONEN AUF ANFRAGE - OPTIONS SUR DEMANDE - OPCIONES BAJO PEDIDO - OPÇÕES SOB ENCOMENDA
Anello di sfasamento argentato - Silver-plated shading ring - Versilberter Schattierungsring Anneau d'ombrage argentée - Anillo de sombreado plateado - Anel de sombreamento banhado a prata
Versione idonea per utilizzo con ossigeno industriale - Version suitable for use with industrial oxygen - Version für industrie sauerstoff Version adaptée à une utilisation avec de l'oxygène industriel - Versión idónea para el uso con oxígeno industrial - Versão adequada para utilização com oxigênio industrial

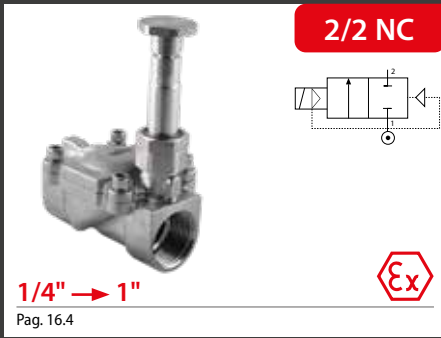
Code	Materiale tenuta Sealing materials Dichtungswerkstoffe Matériau joint Material juntas Material das vedações	Connessioni Port size Verbindungen Connexions Conexiones Conexões	Ø Orifizio Ø Orifice Ø Dn Ø Passage Ø Orificio Ø Orificio	Viscosità Viscosity Viskosität Viscosité Viscosidad Viscosidade	Kv	Pressione differenziale (OPD) Differential pressure (OPD) Differenzdruck (OPD) Pression différentielle (OPD) Presión diferencial (OPD) Pressão diferencial (OPD)			Potenza Power Leistung Puissance Potencia Potência			Bobine Coils Spulen Bobines Bobinas Bobinas	
						Min	Max DC	Max AC	DC W	AC VA	ATEX Ex m W	Size mm	Serie A - pag. 19.2 B - pag. 19.3 X - pag. 19.4
	①	ISO 228	mm	cSt	m ³ /h	Bar							

0
*Senza comando manuale - Without manual override - Ohne handbetätigung
Sans commande manuelle - Sin comando manual - Sem acionamento manual*

X4F 03 2 10 _ 0	N = NBR -10°C +90°C	1/4"	10	25	1.88	0.15	-	10	-	7.5	-	22	A - SOL10
								10	10	8	11	-	30
X4F 04 2 14 _ 0	N = NBR -10°C +90°C	3/8"	14	25	3.32	0.15	-	10	-	7.5	-	22	A - SOL10
												10	10
X4F 05 2 14 _ 0	V = FKM -10°C +140°C	1/2"	14	25	3.53	0.15	-	10	-	7.5	-	22	A - SOL10
												10	10
X4F 07 2 18 _ 0	E = EPDM -10°C +140°C	3/4"	18	25	5.56	0.15	-	10	-	7.5	-	22	A - SOL10
												10	10
X4F 09 2 25 _ 0		1"	25	25	10.97	0.15	-	10	-	7.5	-	22	A - SOL10
												10	10
							10	10	-	-	5.3	30	X - SOLX4

① Selezionare tenuta - Select seal material - Wählen Sie das Dichtungsmaterial aus - Sélectionner matériau d'étanchéité - Seleccionar material sellado - Seleccionar material de vedação
EPDM - P max= 2.5 bar: Con vapore - With steam - Mit dampf - Avec vapeur - Con vapor - Com vapor
Bobina non inclusa - Coil not included - Magnetspulen separat - Bobines non incluse - Bobina no incluida - Bobinas não incluídas


Size	A	B	C	G
1/4"	55.5	76.6	35.2	M8 x 1
3/8"	65.3	84.2	46.4	M8 x 1
1/2"	65.3	84.2	46.4	M8 x 1
3/4"	81	95	56.7	M8 x 1
1"	95	101.1	65	M8 x 1



ELETTROVALVOLE SERVO-AZIONATE CON CORPO IN ACCIAIO INOX AISI 316L PER BOBINA ATEX "SERIE Y"

SERVO-ASSISTED SOLENOID VALVES WITH STAINLESS STEEL 316L BODY FOR "SERIES Y" ATEX COIL
SERVO-GESTEUERTE MAGNETVENTILE MIT KÖRPER EDELSTAHL AISI 316L FÜR SPULE ATEX
"Y-SERIE" ÉLECTROVANNES SERVO ASSISTEES AVEC CORPS EN ACIER INOX AISI 316L POUR BOBINE ATEX "SERIE Y"
ELECTROVALVULA SERVOACCIONADA CON CUERPO EN ACERO INOX AISI 316L PARA BOBINA "SERIE Y"
ELETTROVÁLVULAS SERVO-PILOTADAS COM CORPO EM AÇO INOX AISI 316L PARA BOBINA ATEX "SERIE Y"

AISI 316L

Ex
II 2 G/D Ex h



Serie X4A - Coil ATEX Ex d

Le elettrovalvole ATEX serie X4A – servozionate con corpo filettato in acciaio inox 316L – disponibili nella sola funzione 2/2 NC, si identificano per la possibilità di gestire portate elevate, avere un'ottima compatibilità a contatto con fluidi aggressivi e corrosivi e per essere installate in atmosfere potenzialmente esplosive grazie all'utilizzo esclusivo con la bobina ATEX serie Y avente custodia a prova di esplosione con marcatura Ex d / Ex tb. Anche la parte meccanica (valvola) è certificata ATEX II 2G/D Ex h, a completamento della garanzia del prodotto.

Principali vantaggi

- Installazione in atmosfere potenzialmente esplosive
- Valvola certificata ATEX II 2G/D Ex h
- Bobina certificata ATEX II 2G/D Ex d / Ex tb
- Contatto con fluidi aggressivi e corrosivi
- Conessioni da 1/4" a 1"
- Orifici dal Ø 10 mm al Ø 25 mm
- Pressioni di lavoro fino a 25 bar

Applicazioni

- Industria Chimica e Metallurgica
- Oil & Gas
- Ossigeno e Idrogeno
- Oli, Liquidi neutri e corrosivi
- Gas inerti e aggressivi

The ATEX X4A series solenoid valves – servo-assisted with 316L stainless steel threaded body – available in the 2/2 NC function only, are identified by the possibility of managing high flow rates, having excellent compatibility in contact with aggressive and corrosive fluids and be installed in potentially explosive atmospheres thanks to the exclusive use with the Y series ATEX coil having an explosion-proof enclosure with marking Ex d / Ex tb.

Even the mechanical part (valve) is ATEX II 2G/D Ex h certified, completing the product warranty.

Main advantages

- Installation in potentially explosive atmospheres
- Valve certified ATEX II 2G/D Ex h
- Coil certified ATEX II 2G/D Ex d / Ex tb
- Contact with aggressive and corrosive fluids
- Connections from 1/4" to 1"
- Orifices from Ø 10 mm up to Ø 25 mm
- Working pressures up to 25 bar

Applications

- Chemical and Metallurgical industry
- Oil & Gas
- Oxygen and Hydrogen
- Oils, Neutral and corrosive liquids
- Inert and aggressive gases

Die servogesteuerten ATEX-Magnetventile der Serie X4A – mit einem Gewindekörper aus Edelstahl 316L, sind in der Funktion 2/2 NC verfügbar. Sie zeichnen sich insbesondere für hohe Durchflussmengen sowie dem Einsatz in aggressiven und korrosiven Flüssigkeiten aus. Durch die ausschließliche Verwendung der ATEX-Spule der Serie Y, die über ein explosionsssicheres Gehäuse mit der Kennzeichnung Ex d / Ex tb verfügt, ist eine Installation in explosionsgefährdeten Bereichen möglich.

Auch der mechanische Teil (Ventil) ist nach ATEX II 2G/D Ex h zertifiziert, was die Produktsicherheit gewährleistet.

Vorteile

- Installation in explosionsgefährdeten Bereichen
- Ventil zertifiziert nach ATEX II 2G/D Ex h
- Spule zertifiziert nach ATEX II 2G/D Ex d / Ex tb
- Kontakt mit aggressiven und korrosiven Fluiden
- Anschlüsse von 1/4" bis 1"
- Öffnungen von Ø 10 mm bis zu Ø 25 mm
- Betriebsdruck bis zu 25 bar

Anwendungen

- Chemische und metallurgische Industrie
- Öl und Gas
- Sauerstoff und Wasserstoff
- Öle, neutrale und korrosive Flüssigkeiten
- Inerte und aggressive Gase

Les électrovanne de la série ATEX X4A – servo-assistées avec corps fileté en acier inoxydable 316L – disponibles uniquement en fonction 2/2 NF, s'identifient par la possibilité de gérer des débits élevés, ayant une excellente compatibilité au contact de fluides agressifs et corrosifs et peut être installé dans des atmosphères potentiellement explosives grâce à l'utilisation exclusive avec la bobine ATEX de la série Y ayant une enveloppe antidéflagrante avec marquage Ex d / Ex tb.

La partie mécanique (vanne) est également certifiée ATEX II 2G/D Ex h, complétant ainsi la garantie du produit.

Principaux avantages

- Installation en atmosphères potentiellement explosives
- Vanne certifiée ATEX II 2G/D Ex h
- Bobine certifiée ATEX II 2G/D Ex d / Ex tb
- Contact avec des fluides agressifs et corrosifs
- Connexions de 1/4" à 1"
- Orifices de Ø 10 mm à Ø 25 mm
- Pression jusqu'à 25 bar

Applications

- Industrie chimique et métallurgique
- Gaz et pétrole
- Oxygène et Hydrogène
- Huiles, Liquides neutres et corrosifs
- Gaz inertes et agressifs

Las electroválvulas de la serie ATEX X4A (servoasistidas con cuerpo roscado de acero inoxidable 316L) disponibles solo en la función 2/2 NC, se identifican por la posibilidad de gestionar caudales elevados, tener una excelente compatibilidad en contacto con fluidos agresivos y corrosivos y ser instaladas en atmósferas potencialmente explosivas gracias al uso exclusivo con la bobina ATEX de la serie Y que tiene una encapsulado a prueba de explosiones con marcado Ex d / Ex tb.

Incluso la parte mecánica (válvula) está certificada ATEX II 2G/D Ex h, completando la garantía del producto.

Principales ventajas

- Instalación en atmósferas potencialmente explosivas
- Válvula certificada ATEX II 2G/D Ex h
- Bobina certificada ATEX II 2G/D Ex d / Ex tb
- Contacto con fluidos agresivos y corrosivos
- Conexiones de 1/4" a 1"
- Orificios desde Ø 10 mm hasta Ø 25 mm
- Presiones de trabajo hasta 25 bar

Aplicaciones

- Industria química y metalúrgica
- Gas y petróleo
- Oxígeno e Hidrógeno
- Aceites, Líquidos neutros y corrosivos
- Gases inertes y agresivos

As válvulas solenóide da série ATEX X4A – servo-assistidas com corpo roscado em aço inox 316L – disponíveis apenas na função 2/2 NC, são identificadas pela possibilidade de gerenciar altas vazões, possuindo excelente compatibilidade em contato com fluidos agressivos e corrosivos e por possibilitar sua instalação em atmosferas potencialmente explosivas graças ao uso exclusivo com a bobina ATEX série Y com invólucro à prova de explosão com marcação Ex d / Ex tb.

Mesmo a parte mecânica (válvula) possui certificação ATEX II 2G/D Ex h, completando a garantia do produto.

Principais vantagens

- Instalação em atmosferas potencialmente explosivas
- Válvula certificada ATEX II 2G/D Ex h
- Bobina certificada ATEX II 2G/D Ex d / Ex tb
- Contato com fluidos agressivos e corrosivos
- Conexões de 1/4" a 1"
- Orifícios de Ø 10 mm até Ø 25 mm
- Pressões de trabalho até 25 bar

Aplicações

- Indústria Química e Metalúrgica
- Gás de petróleo
- Oxigênio e Hidrogênio
- Óleos, líquidos neutros e corrosivos
- Gases inertes e agressivos



Caratteristiche generali - X4A	IT	General features - X4A	GB	Eigenschaften - X4A	DE
- Posizione di montaggio consigliata orizzontale - Certificazione valvola: ATEX II 2G/D Ex h - Certificazione bobina: ATEX II 2G/D Ex d, Ex tb		- Recommended horizontal mounting position - Valve certification: ATEX II 2G/D Ex h - Coil certification: ATEX II 2G/D Ex d, Ex tb		- Horizontale Einbaulage empfohlen - Ventilzertifizierung: ATEX II 2G/D Ex h - Spulezertifizierung: ATEX II 2G/D Ex d, Ex tb	
Caractéristiques générales - X4A	FR	Características generales - X4A	ES	Características gerais - X4A	PT
- Position de montage horizontale recommandée - Certification des vannes: ATEX II 2G/D Ex h - Certification de bobine: ATEX II 2G/D Ex d, Ex tb		- Posición de montaje recomendada horizontal - Certificación de válvula: ATEX II 2G/D Ex h - Certificación de bobina: ATEX II 2G/D Ex d, Ex tb		- Posição de montagem aconselhada horizontal - Certificação de válvula: ATEX II 2G/D Ex h - Certificação de bobina: ATEX II 2G/D Ex d, Ex tb	



Tabella dei codici di ordinazione

Ordering codes

Bestellschlüssel

Composition de la référence de commande

Tabla para definición de código

Tabela de código de compra

SERIE	Connessione Port size Masse Dimension Tamaño Tamanho	Funzione Functions Funktion Fonctions Función Funções	Orifizio Orifice Dn Passage Orifizio Orifício	Materiale guarnizioni Sealing materials Dichtungswerkstoffe Matériaux des joints Material juntas Material das vedações	Versione Version Ausführung Version Versión Versão	Filettatura Thread Gewinde Filetage Rosca Rosca
-------	---	--	--	---	---	--

X	4	A	03	1	10	N	H	<input type="checkbox"/>
03 = 1/4"	04 = 3/8"	05 = 1/2"	07 = 3/4"	09 = 1"	1 = 2/2 NC	N = NBR E = EPDM V = FKM	H = Senza comando manuale Without manual override Ohne handbetätigung Sans commande manuelle Sin comando manual Sem acionamento manual	= Gas N = NPTF
					10 = 10 mm 14 = 14 mm 18 = 18 mm 25 = 25 mm			

BOBINA: SERIE Y

COIL: SERIES Y
SPULE: SERIES Y
BOBINE: SÉRIES Y
BOBINA: SERIES Y
BOBINA: SÉRIES Y

PAG: 19.8

PAG: 19.8
PAG: 19.8
PAG: 19.8
PAG: 19.8
PAG: 19.8



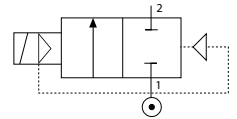
SERIE X4A - ATEX

ELETTROVALVOLE SERVO-AZIONATE CON CORPO IN ACCIAIO INOX AISI 316L PER BOBINA ATEX "SERIE Y"

SERVO-ASSISTED SOLENOID VALVES WITH STAINLESS STEEL AISI 316L BODY FOR "SERIES Y" ATEX COIL
 SERVO-GESTEUERTE MAGNETVENTILE MIT KÖRPER EDELSTAHL AISI 316L FÜR SPULE ATEX "Y-SERIE"
 ÉLECTROVANNES SERVO ASSISTEES AVEC CORPS EN ACIER INOX AISI 316L POUR BOBINE ATEX "SERIE Y"
 ELECTROVALVULA SERVOACCIONADA CON CUERPO EN ACERO INOX AISI 316L PARA BOBINA ATEX "SERIE Y"
 ELETRÓVALVULAS SERVO-PILOTADAS COM CORPO EN AÇO INOX AISI 316L PARA BOBINA ATEX "SERIE Y"

2/2 NC

1/4" → 1"



Anello di sfasamento argentato su richiesta
 Silver-plated shading ring on request
 Versilberter Schattierungsring auf anfrage
 Anneau d'ombrage argentée sur demande
 Anillo de sombreado plateado bajo pedido
 Anel de sombreamento banhado a prata sob pedido

Bobine certificate ATEX
 ATEX certified coils
 ATEX zertifizierte spule
 Bobine certifiées ATEX
 Bobina con certificación ATEX
 Bobina certificadas ATEX

Materiali e Componenti	IT	Materials and Components	GB	Materialien und Komponenten	DE
1 Corpo: Acciaio Inox AISI 316L 2 Tenute: NBR - EPDM - FKM 3 Tubo guida: Acciaio Inox 4 Nucleo fisso e mobile: Acciaio Inox AISI 430FR 5 Molle: Acciaio Inox 6 Anello di sfasamento: Rame		1 Body: Stainless steel AISI 316L 2 Seals: NBR - EPDM - FKM 3 Armature tube: Stainless steel 4 Fixed and mobile core: Stainless steel AISI 430FR 5 Springs: Stainless steel 6 Shading ring: Copper		1 Körper: Edelstahl AISI 316L 2 Dichtung: NBR - EPDM - FKM 3 Führungsrohr: Edelstahl 4 Kern: Edelstahl AISI 430FR 5 Feder: Edelstahl 6 Schattierung Ring: Kupfer	
Matériaux et Composants	FR	Materiales y componentes	ES	Materialis e Componentes	PT
1 Corps: Acier inox AISI 316L 2 Joints: NBR - EPDM - FKM 3 Tube de pilotage: Acier inox 4 Noyau: Acier inox AISI 430FR 5 Ressort: Acier inox 6 Anneaux d'ombrage : cuivre		1 Cuerpo: Acero inox AISI 316L 2 Juntas: NBR - EPDM - FKM 3 Tubo guía: Acero inox 4 Núcleo fijo y móvil: Acero inox AISI 430FR 5 Muelle: Acero inox 6 Anillo de sombreado: Cobre		1 Corpo: Aço-inox AISI 316L 2 Vedações: NBR - EPDM - FKM 3 Tubo Guia: Aço-inox 4 Núcleo fixo e móvel I: Aço-inox AISI 430FR 5 Mola: Aço-inox 6 Anel de sombreamento: Cobre	

Bar
Pressione massima ammissibile
 Maximum allowable pressure
 Max. Betriebsdruck
 Pression de service max.
 Presión máxima admisible
 Pressão máxima admissível

25 bar

Tabella compatibilità e materiali
 Compatibility and materials table
 Beständigkeitsübersicht
 Tableau de compatibilité des matériaux
 Tabla de compatibilidad de materiales
 Tabela de compatibilidade química

Pag. 0.21 - 0.22

Valvola e bobina fornite separatamente
 Valve and coil supplied separately
 Ventil und Spule separat erhältlich
 Vanne et bobine fournies séparément
 Válvula y bobina suministradas por separado
 Válvula e bobina fornecidas separadamente

OPZIONI SU RICHIESTA - OPTIONS ON REQUEST - OPTIONEN AUF ANFRAGE - OPTIONS SUR DEMANDE - OPCIONES BAJO PEDIDO - OPÇÕES SOB ENCOMENDA

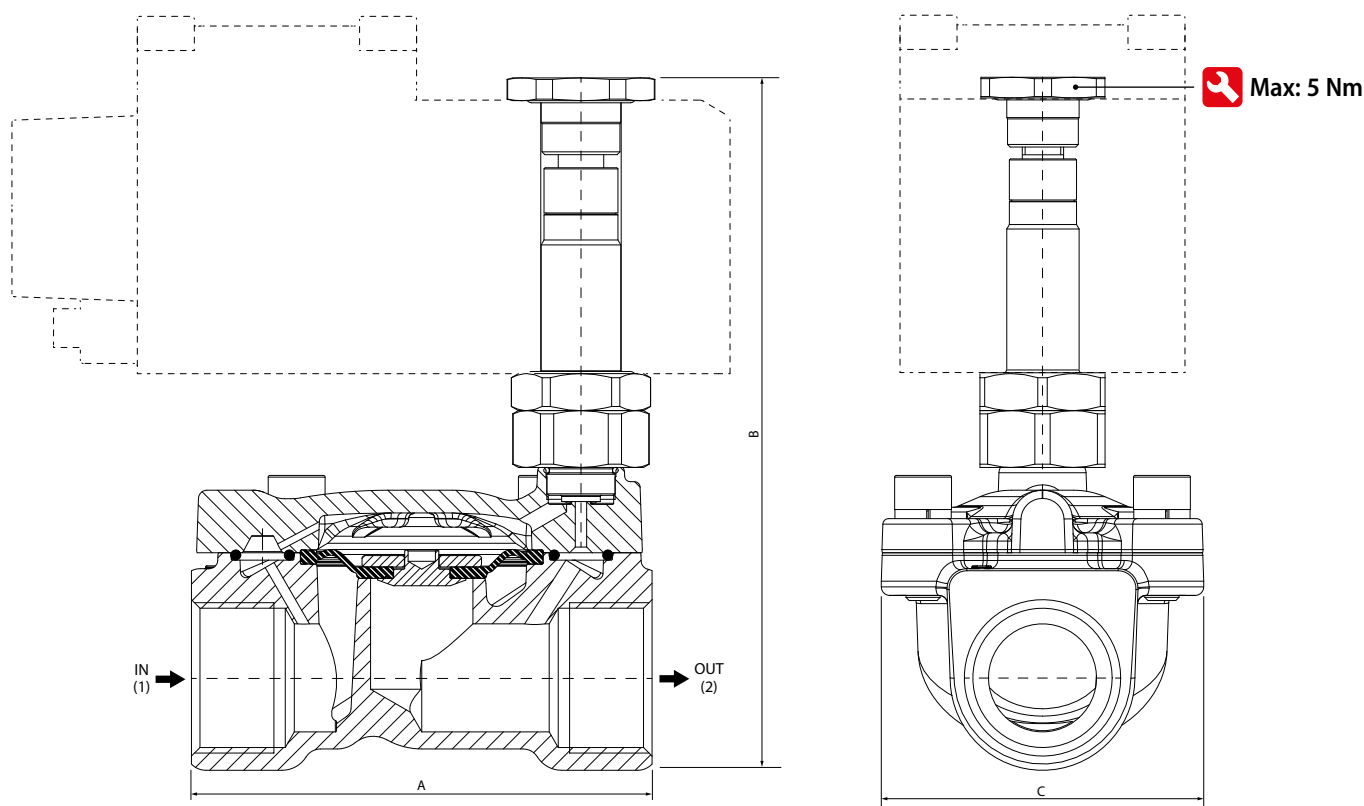
Anello di sfasamento argentato - Silver-plated shading ring - Versilberter Schattierungsring
 Anneau d'ombrage argentée - Anillo de sombreado plateado - Anel de sombreamento banhado a prata

Versione idonea per utilizzo con ossigeno industriale - Version suitable for use with industrial oxygen - Version für industrie sauerstoff
 Version adaptée à une utilisation avec de l'oxygène industriel - Versión idónea para el uso con oxígeno industrial - Versão adequada para utilização com oxigênio industrial

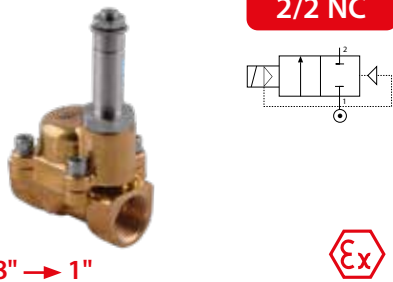
Code	Materiale tenuta Sealing materials Dichtungswerkstoffe Matériau joint Material juntas Material das vedações	Conessioni Port size Verbindungen Connexions Conexiones Conexões	Ø Orifizio Ø Orifice Ø Dn Ø Passage Ø Orificio Ø Orificio	Viscosità Viscosity Viskosität Viscosité Viscosidad Viscosidade	Kv	Pressione differenziale (OPD) Differential pressure (OPD) Differenzdruck (OPD) Pression différentielle (OPD) Presión diferencial (OPD) Pressão diferencial (OPD)			Potenza Power Leistung Puissance Potencia		Bobine Coils Spulen Bobines Bobinas Bobinas	
						Min	Max DC	Max AC	DC W	AC VA	Size mm	Serie Y - pag. 19.8
	①	ISO 228	mm	cSt	m ³ /h	Bar						

H
Senza comando manuale - Without manual override - Ohne handbetätigung
Sans commande manuelle - Sin comando manual - Sem acionamento manual

X4A 03 1 10 _ H		1/4"	10	25	1.88	0.15	20	20	8	12	50	Y - SOLY0
X4A 04 1 14 _ H	N = NBR -10°C +90°C	3/8"	14	25	3.32	0.15	20	20	8	12	50	Y - SOLY0
X4A 05 1 14 _ H	V = FKM -10°C +140°C	1/2"	14	25	3.53	0.15	20	20	8	12	50	Y - SOLY0
X4A 07 1 18 _ H	E = EPDM -10°C +140°C	3/4"	18	25	5.56	0.15	20	20	8	12	50	Y - SOLY0
X4A 09 1 25 _ H		1"	25	25	10.97	0.15	20	20	8	12	50	Y - SOLY0

① Selezionare tenuta - Select seal material - Wählen Sie das Dichtungsmaterial aus - Sélectionner matériau d'étanchéité - Seleccionar material sellado - Seleccionar material de vedação
EPDM - P max= 2.5 bar: Con vapore - With steam - Mit dampf - Avec vapeur - Con vapor - Com vapor
Bobina non inclusa - Coil not included - Magnetspulen separat - Bobines non incluse - Bobina no incluida - Bobinas não incluídas


Size	A	B	C
1/4"	55.5	103.5	35.2
3/8"	65.3	111.1	46.4
1/2"	65.3	111.1	46.4
3/4"	1	121.9	56.7
1"	5	128	65



2/2 NC

3/8" → 1"

Pag. 17.4

Ex



30 mm

Serie C

Pag. 19.5

C RU US
CSA C22.2



30 mm

Serie D

Pag. 19.6

C RU US
CSA C22.2



36 mm

Serie E

Pag. 19.7

C RU US
CSA C22.2



Connectors

Pag. 19.9 / 19.10

C RU US
CSA C22.2

ELETTROVALVOLE SERVO-AZIONATE A PISTONE CON CORPO IN OTTONE*PISTON SERVO-ASSISTED SOLENOID VALVES WITH BRASS BODY**SERVO-GESTEUERTE MAGNETVENTILE MIT KOLBEN MIT MESSINGGEHÄUSE**ÉLECTROVANNES SERVO ASSISTEES À PISTON AVEC CORPS EN LAITON**ELECTROVALVULA SERVOACCIONADA DE PISTÓN CON CUERPO DE LATÓN**ELETTROVÁLVULAS SERVO-PILOTADAS DE PISTÃO COM CORPO DE LATÃO***II 2 G/D Ex h****C US
CSA C22.2****T_{max}
+180°C**

Per vapore
For steam
Für den Dampf
Pour la vapeur
Por vapor
Para vapor

**Serie 05F**

Le elettrovalvole serie 05F – servo-azionate a pistone con corpo in ottone – sono state ingegnerizzate da Aignep per applicazioni dedicate esclusivamente all'utilizzo con vapore.

Gli organi di tenuta in PTFE permettono alle valvole di lavorare in maniera ottimale anche ad alte temperature (fino a +180°C) ottenendo prestazioni uniche (fino a 10 bar).

Principali vantaggi

- Connessioni da 3/8" a 1"
- Organi di tenuta in PTFE
- T max +180°C
- P max 10 bar
- Portate elevate
- Grado di protezione IP67 con connettore e kit antiumidità

Applicazioni

- Vapore
- Sanificazione cisterne, serbatoi, impianti alimentari
- Sterilizzatori
- Settori Medica, Farmaceutico, Alimentare
- Processi industriali, Generatori di vapore

The 05F series solenoid valves – servo-assisted with piston and brass body – are engineered by Aignep for applications dedicated exclusively to the use with steam.

The PTFE sealing elements allow the valves to work optimally even at high temperatures (up to +180°C) obtaining unique performances (up to 10 bar).

Main advantages

- Connections from 3/8" to 1"
- PTFE sealing elements
- T max +180°C
- P max 10 bar
- High flow rates
- IP67 protection degree with connector and anti-humidity kit

Applications

- Steam
- Sanitization of tank and food plants
- Sterilizers
- Medical, Pharmaceutical, Food Sectors
- Industrial processes, Steam generators

Die servogesteuerten Magnetventile der Serie 05F - mit Kolben und Messinggehäuse - wurden von Aignep für Anwendungen entwickelt, die ausschließlich für den Einsatz mit Dampf bestimmt sind.

Dank der PTFE-Dichtelemente können die Ventile auch bei hohen Temperaturen (bis +180°C) optimal arbeiten und erzielen einzigartige Leistungen (bis zu 10 bar).

Vorteile

- Anschlüsse von 3/8" bis 1"
- PTFE-Dichtelemente
- T max +180°C
- P max 10 bar
- Hohe Durchflussraten
- Schutzart IP67 mit Anschlussstück und Feuchtigkeitsschutz-Kit

Anwendungen

- Dampf
- Sanitisierung von Tank- und Lebensmittelanlagen
- Sterilisatoren
- Medizinische, pharmazeutische und Lebensmittel Industrie
- Industrielle Prozesse, Dampferzeuger

Les électrovannes série 05F - servo-assistées à piston et corps en laiton - sont conçues par Aignep pour des applications dédiées exclusivement à l'utilisation avec de la vapeur.

Les éléments d'étanchéité en PTFE permettent aux vannes de fonctionner de manière optimale même à des températures élevées (jusqu'à +180°C) en obtenant des performances uniques (jusqu'à 10 bar).

Principaux avantages

- Connexions de 3/8" à 1"
- Eléments d'étanchéité en PTFE
- Tmax +180°C
- P max 10 bars
- Débits élevés
- Degré de protection IP67 avec connecteur et kit anti-humidité

Applications

- Vapeur
- Assainissement des cuves et installations alimentaires
- Stérilisateurs
- Secteurs Médical, Pharmaceutique, Alimentaire
- Procédés industriels, Générateurs de vapeur

Las electroválvulas de la serie 05F, servoasistidas con pistón y cuerpo de latón, están diseñadas por Aignep para aplicaciones dedicadas exclusivamente al uso con vapor.

Los elementos de sellado de PTFE permiten que las válvulas funcionen de manera óptima incluso a altas temperaturas (hasta +180°C) obteniendo rendimientos únicos (hasta 10 bar).

Principales ventajas

- Conexiones de 3/8" a 1"
- Elementos de sellado de PTFE
- T máx +180°C
- P máx 10 bar
- Altos caudales
- Grado de protección IP67 con conector y kit antihumedad

Aplicaciones

- Vapor
- Sanitización de tanques y plantas de alimentos.
- Esterilizadores
- Sectores Médico, Farmacéutico, Alimentario
- Procesos industriales, Generadores de vapor

As válvulas solenóides da série 05F – servo-assistidas com pistão e corpo em latão – são projetadas pela Aignep para aplicações dedicadas exclusivamente ao uso com vapor.

Os elementos de vedação em PTFE permitem que as válvulas funcionem de forma otimizada mesmo em altas temperaturas (até +180°C), obtendo performances superiores (até 10 bar).

Principais vantagens

- Conexões de 3/8" a 1"
- Elementos de vedação em PTFE
- T máx +180°C
- Pr máx. 10 bar
- Altas taxas de vazão
- Grau de proteção IP67 com conector e kit anti-umidade

Aplicações

- Vapor
- Sanitização de tanques e fábricas de alimentos
- Esterilizadores
- Setores Médico, Farmacéutico, Alimentar
- Processos industriais, geradores de vapor



Caratteristiche generali - 05F	IT	General features - 05F	GB	Eigenschaften - 05F	DE
<ul style="list-style-type: none"> - Posizione di montaggio universale - Kit operatore Ø 13 mm - Certificazione valvola: ATEX II 2G/D Ex h - Bobine: classe H - - CSA C22.2 		<ul style="list-style-type: none"> - Universal mounting position - Operator kit Ø 13 mm - Valve certification: ATEX II 2G/D Ex h - Coils: Class H - - CSA C22.2 		<ul style="list-style-type: none"> - Einbaulage universal - Bausatz Ø 13 mm - Ventilzertifizierung: ATEX II 2G/D Ex h - Spulenkategorie H - - CSA C22.2 	
Caractéristiques générales - 05F	FR	Características generales - 05F	ES	Características gerais - 05F	PT
<ul style="list-style-type: none"> - Position de montage universelle - Kit Pilote Ø 13 mm - Certification des vannes: ATEX II 2G/D Ex h - Bobine: classe H - - CSA C22.2 		<ul style="list-style-type: none"> - Posición de montaje universal - Kit operador Ø 13 mm - Certificación de válvula: ATEX II 2G/D Ex h - Bobinas: clase H - - CSA C22.2 		<ul style="list-style-type: none"> - Posição de montagem universal - Kit do operador Ø 13 mm - Certificação de válvula: ATEX II 2G/D Ex h - Bobinas: classe H - - CSA C22.2 	



Tabella dei codici di ordinazione

Ordering codes

Bestellschlüssel

Composition de la référence de commande

Tabla para definición de código

Tabela de código de compra

SERIE	Connessione Port size Masse Dimension Tamaño Tamanho	Funzione Functions Funktion Fonctions Función Funções	Orificio Orifice Dn Passage Orifício Orifício	Materiale guarnizioni Sealing materials Dichtungswerkstoffe Matériaux des joints Material juntas Material das vedações	Versione Version Ausführung Version Versión Versão	Filettatura Thread Gewinde Filetage Rosca Rosca
-------	---	--	--	---	---	--

0	5	F	0	4	1	1	2	P	0				
			04 = 3/8"	05 = 1/2"	07 = 3/4"	09 = 1"	1 = 2/2 NC	Normalmente chiusa Normally closed Normalerweise geschlossen Normalement fermée Normalmente cerrada Normalmente fechada	12 = 12 mm	22 = 22 mm	P = PTFE	0 = Standard	= Gas

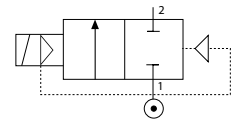
BOBINE: SERIE C, D, E COILS: SERIES C, D, E SPULEN: SERIES C, D, E BOBINES: SÉRIES C, D, E BOBINAS: SERIES C, D, E BOBINAS: SÉRIES C, D, E	PAG: 19.5 / 19.6 / 19.7 PAG: 19.5 / 19.6 / 19.7 PAG: 19.5 / 19.6 / 19.7 PAG: 19.5 / 19.6 / 19.7 PAG: 19.5 / 19.6 / 19.7 PAG: 19.5 / 19.6 / 19.7	CONNETTORI CONNECTORS STECKER CONNECTEURS CONECTORES CONECTORES	PAG: 19.10 PAG: 19.10 PAG: 19.10 PAG: 19.10 PAG: 19.10 PAG: 19.10
--	---	---	---

SERIE 05F

ELETTRIVALVOLE SERVO-AZIONATE A PISTONE CON CORPO IN OTTONE

PISTON SERVO-ASSISTED SOLENOID VALVES WITH BRASS BODY
 SERVO-GESTEUERTE MAGNETVENTILE MIT KOLBEN MIT MESSINGGEHÄUSE
 ÉLECTROVANNES SERVO ASSISTEES À PISTON AVEC CORPS EN LAITON
 ELECTROVALVULA SERVOACCIONADA DE PISTÓN CON CUERPO DE LATÓN
 ELETROVÁLVULAS SERVO-PILOTADAS DE PISTÃO COM CORPO DE LATÃO

2/2 NC **3/8" → 1"**



T_{max} +180°C

Vapore
 Steam
 Dampf
 Vapeur
 Vapor
 Vapor

Impiego solo con vapore
 Use only with steam
 Nur mit Dampf verwenden
 Utiliser uniquement avec de la vapeur
 Usar solo con vapor
 Use apenas com vapor

Materiali e Componenti	IT	Materials and Components	GB	Materialien und Komponenten	DE
1 Corpo: Ottone CW617N		1 Body: Brass CW617N		1 Körper: Messing CW617N	
2 Tenute: PTFE		2 Seals: PTFE		2 Dichtung: PTFE	
3 Tubo guida: Acciaio Inox		3 Armature tube: Stainless steel		3 Führungsrohr: Edelstahl	
4 Nucleo fisso e mobile: Acciaio Inox AISI 430FR		4 Fixed and mobile core: Stainless steel AISI 430FR		4 Kern: Edelstahl AISI 430FR	
5 Molle: Acciaio Inox		5 Springs: Stainless steel		5 Feder: Edelstahl	
Matériaux et Composants	FR	Materiales y componentes	ES	Materialis e Componentes	PT
1 Corps: Laiton CW617N		1 Cuerpo: Latón CW617N		1 Corpo: Latão CW617N	
2 Joints: PTFE		2 Juntas: PTFE		2 Vedações: PTFE	
3 Tube de pilotage: Acier inox		3 Tubo guía: Acero inox		3 Tubo Guia: Aço-inox	
4 Noyau: Acier inox AISI 430FR		4 Núcleo fijo y móvil: Acero inox AISI 430FR		4 Núcleo fixo e móvel I: Aço-inox AISI 430FR	
5 Ressort: Acier inox		5 Muelle: Acero inox		5 Mola: Aço-inox	



Pressione massima ammissibile

Maximum allowable pressure
 Max. Betriebsdruck
 Pression de service max.
 Presión máxima admisible
 Pressão máxima admissível

10 bar



Tabella compatibilità e materiali

Compatibility and materials table
 Beständigkeitsübersicht
 Tableau de compatibilité des matériaux
 Tabla de compatibilidad de materiales
 Tabela de compatibilidade química

Pag. 0.21 - 0.22



Temperatura ambiente con bobine in classe H

Room temperature with coil class H
 Raumtemperatur, mit Spule der Klasse H
 Température ambiante, avec bobine classe H
 Temperatura ambiente con bobina clase H
 Temperatura ambiente com bobina de classe H

**- 10 °C
 + 80 °C**

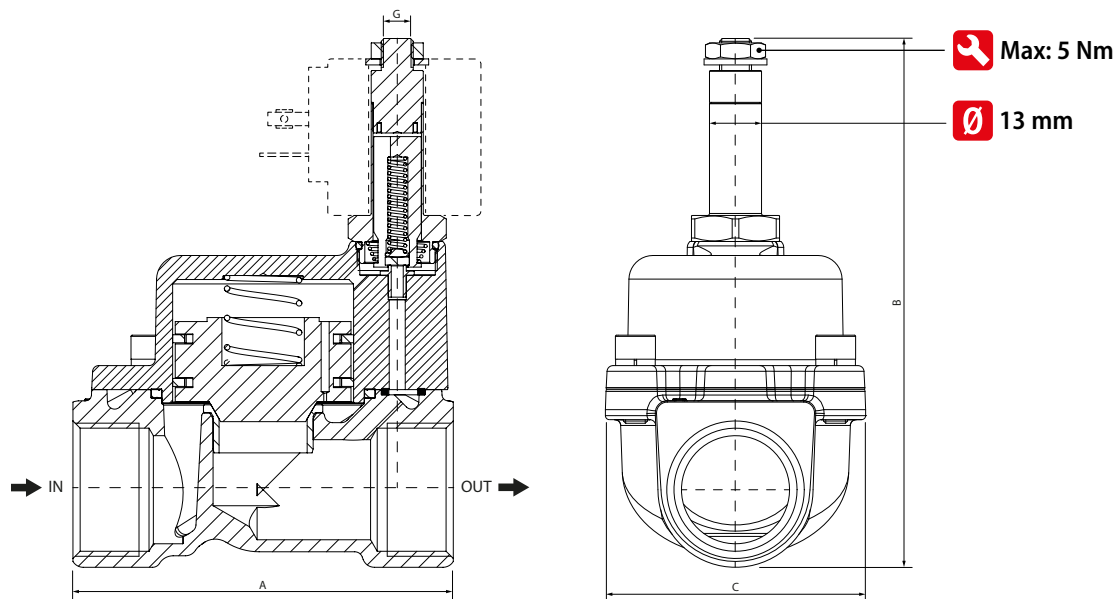
OPZIONI SU RICHIESTA - OPTIONS ON REQUEST - OPTIONEN AUF ANFRAGE - OPTIONS SUR DEMANDE - OPCIONES BAJO PEDIDO - OPÇÕES SOB ENCOMENDA

Trattamento superficiale di nichelatura chimica componenti in ottone - Chemical nickel plating treatment for brass components - Chemische vernickelung Messingkomponenten
 Traitement surface nickelage chimique composants laiton - Tratamiento superficial niquelatura química componentes latón - Tratamento superficial niquelação química componentes latão


Code	Materiale tenute Sealing materials Dichtungswerkstoffe Matériau joint Material juntas Material das vedações	Conessioni Port size Verbindungen Connexions Conexiones Conexões	Ø Orifizio Ø Orifice Ø Dn Ø Passage Ø Orificio	Kv m ³ /h	Pressione differenziale (OPD) Differential pressure (OPD) Differenzdruck (OPD) Pression différentielle (OPD) Presión diferencial (OPD) Pressão diferencial (OPD)			Potenza Power Leistung Puissance Potencia Potência		Bobine Coils Spulen Bobines Bobinas Bobinas	
					Bar			DC W	AC VA	Size mm	Serie C - pag. 19.5 D - pag. 19.6 E - pag. 19.7
					Min	Max DC	Max AC				
05F 04 1 12 P 0	P = PTFE -10°C +180°C	3/8"	12	2.90	1	-	10	-	14	30	C - SOL20
10						10	14	21	30	D - SOL20	
10						10	36	E - SOL21			
05F 05 1 12 P 0		1/2"	12	3.03	1	-	10	-	14	30	C - SOL20
10						10	14	21	30	D - SOL20	
10						10	36	E - SOL21			
05F 07 1 22 P 0		3/4"	22	8.33	1	-	10	-	14	30	C - SOL20
10						10	14	21	30	D - SOL20	
10						10	36	E - SOL21			
05F 09 1 22 P 0		1"	22	8.48	1	-	10	-	14	30	C - SOL20
10						10	14	21	30	D - SOL20	
10						10	36	E - SOL21			

PTFE = max 300 cm³/h: Perdita ammessa - Allowable leakage - Zulässige leakage - Fuite admissible - Fuga permitida - Vazamento permitido

Bobina non inclusa - Coil not included - Magnetspulen separat - Bobines non incluse - Bobina no incluida - Bobinas não incluídas



Size	A	B	C	G
3/8"	65.5	105	46.5	M8 x 1
1/2"	65.5	105	46.5	M8 x 1
3/4"	95	132.5	65	M8 x 1
1"	95	132.5	65	M8 x 1



2/2 NC

3/8" - 1/2"
Pag. 18.2



30 mm

Serie C
Pag. 19.5

UL US
CSA C22.2



30 mm

Serie D
Pag. 19.6

UL US
CSA C22.2



36 mm

Serie E
Pag. 19.7

UL US
CSA C22.2



Connectors
Pag. 19.9 / 19.10

UL US
CSA C22.2



90985
Pag. 20.5



90987
Pag. 20.5

VALVOLA DI SCARICO CONDENSA

DRAIN VALVE

ABLASSVENTIL

ROBINET DE PURGE DES CONDENSATS

VÁLVULA DE VACIADO

VÁLVULA DE DRENAGEM



Serie 90975 - 90976

SERIE 90975 - 90976

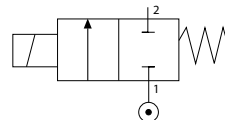
VALVOLA DI SCARICO CONDENZA

DRAIN VALVE
 ABLASSVENTIL
 VANNE DE PURGE DES CONDENSATS
 VÁLVULA DE VACIADO
 VÁLVULA DE DRENAGEM



2/2 NC

3/8" - 1/2"



Materiali e Componenti	IT	Materials and Components	GB	Materialien und Komponenten	DE
1 Corpo: Ottone CW617N 2 Tenute: NBR 3 Tubo guida: Acciaio Inox 4 Nucleo fisso e mobile: Acciaio Inox AISI 430FR 5 Molle: Acciaio Inox		1 Body: Brass CW617N 2 Seals: NBR 3 Armature tube: Stainless steel 4 Fixed and mobile core: Stainless steel AISI 430FR 5 Springs: Stainless steel		1 Körper: Messing CW617N 2 Dichtung: NBR 3 Führungsrohr: Edelstahl 4 Kern: Edelstahl AISI 430FR 5 Feder: Edelstahl	
Matériaux et Composants	FR	Materiales y componentes	ES	Materialis e Componentes	PT
1 Corps: Laiton CW617N 2 Joints: NBR 3 Tube de pilotage: Acier inox 4 Noyau: Acier inox AISI 430FR 5 Ressort: Acier inox		1 Cuerpo: Latón CW617N 2 Juntas: NBR 3 Tubo guía: Acero inox 4 Núcleo fijo y móvil: Acero inox AISI 430FR 5 Muelle: Acero inox		1 Corpo: Latão CW617N 2 Vedações: NBR 3 Tubo Guia: Aço-inox 4 Núcleo fixo e móvel I: Aço-inox AISI 430FR 5 Mola: Aço-inox	

Bar

Pressione massima ammissibile
 Maximum allowable pressure
 Max. Betriebsdruck
 Pression de service max.
 Presión máxima admisible
 Pressão máxima admissível

40 bar

Grado di filtrazione
 Degree of filtration
 Abscheidegrad
 Degré de filtration
 Grado de filtración
 Grau de filtração

500 µm

Temperatura ambiente con bobine in classe H
 Room temperature with coil class H
 Raumtemperatur, mit Spule der Klasse H
 Température ambiante, avec bobine classe H
 Temperatura ambiente con bobina clase H
 Temperatura ambiente com bobina de classe H

- 10 °C
+ 80 °C

Nipple conico orientabile (3 pezzi)
 Taper nipple (3 pieces)
 Doppelnippel konisch einstellbar (3 stück)
 Mamelon double (3 pièces)
 Machón cónico orientable (3 piezas)
 Niple orientável com rosca cônica (3 parted)

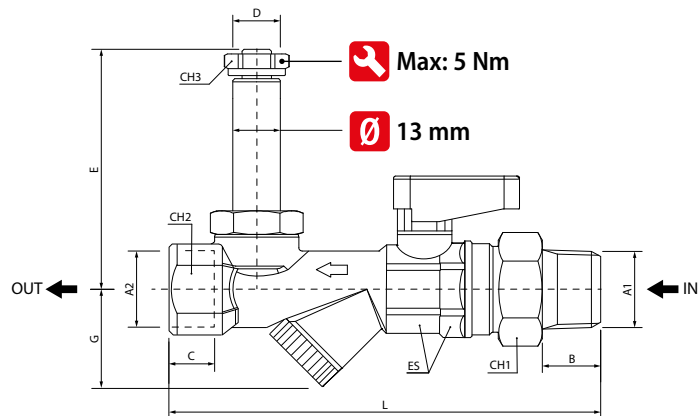
Timer analogico e digitale
 Analog and digital timer
 Analoge und digitale Timer
 Temporisation analogique et numérique
 Temporizador analógico y digital
 Temporizador analógico e digital

Valvola a sfera manuale
 Manual ball valve
 Kugelhähne manuelles
 Robinet a boisseau sphérique manuel
 Válvulas a esfera manual
 Válvulas de esfera manual

Code	Conessioni Port size Verbindungen Connexions Conexiones Conexões		Materiale tenuta Sealing materials Dichtungswerkstoffe Matériau joint Material juntas Material das vedações	Ø Orifizio Ø Orifice Ø Dn Ø Passage Ø Orificio Ø Orificio	Viscosità Viscosity Viskosität Viscosité Viscosidad Viscosidade	Kv	Pressione differenziale (OPD) Differential pressure (OPD) Differenzdruck (OPD) Pression différentielle (OPD) Pressão diferencial (OPD)			Potenza Power Leistung Puissance Potencia		Bobine Coils Spulen Bobines Bobinas						
	A1	A2					mm	cSt	m³/h	Min	Max DC	Max AC	W	VA	Size mm	Serie C - pag. 19.5 D - pag. 19.6 E - pag. 19.7		
90975 00 004 90976 00 004	3/8"	1/2"	NBR -10°C +90°C	3	53	0.21	0	10	16	21	30	40	8	14	30	30	C - SOL20	
90975 00 005 90976 00 005	1/2"	1/2"																10

Temporizzatore non incluso - Timer not included - Timer nicht inklusive - Timer non incluse - Temporizador no incluido - Timer não incluído

Bobina non inclusa - Coil not included - Magnetspulen separat - Bobines non incluse - Bobina no incluida - Bobinas não incluídas



Code (Gas)	A1	A2	B	C	D	CH1	CH2	CH3	L	E	ES	G	Pack.
90975 00 004	3/8"	1/2"	11.5	12	13	27	25	16	113.5	65.5	22 - 23	26.5	1
90975 00 005	1/2"	1/2"	16	12	13	27	25	16	117.5	65.5	22 - 23	26.5	1
Code (NPTF)	A1	A2	B	C	D	CH1	CH2	CH3	L	E	ES	G	Pack.
90976 00 004	3/8"	1/2"	11.5	12	13	27	25	16	113.5	65.5	22 - 23	26.5	1
90976 00 005	1/2"	1/2"	16	12	13	27	25	16	117.5	65.5	22 - 23	26.5	1

90985

TEMPORIZZATORE ANALOGICO DIN43650A

ANALOG TIMER DIN43650A
 TIMER ANALOG DIN43650A
 TEMPORISATION ANALOGIQUE DIN43650A
 TEMPORIZADOR ANALOGICO DIN43650A
 TEMPORIZADOR ANALÓGICO DIN43650A



Code	Pack.
90985 00 001	1
	min
	max



Temperature

- 10 °C + 50 °C



Caratteristiche

- 24 - 240V AC/DC
- IP65 - EN6052
- 1 A Max
- 0.5 - 10 Sec. ON
- 0.5 - 45 Min. OFF
- Reset/Test

90987

TEMPORIZZATORE DIGITALE DIN43650A

DIGITAL TIMER DIN43650A
 DIGITALER TIMER DIN43650A
 TIMER DIGITAL DIN43650A
 DIGITAL TEMPORIZADOR DIN43650A
 TIMER DIGITAL DIN43650A



Code	Voltage	Power consumption	Pack.
90987 00 001	7 - 36V AC/DC	20mA MAX	1
90987 00 002	110 - 240V AC/DC	10mA MAX	1
	min	max	



Temperature

- 10 °C + 70 °C



Caratteristiche

- Insulation Voltage: 100V AC - 1 minute
- Insulation Resistance: 50MΩ (500VDC)
- IP65 - EN6052
- Output Current: 1.5 A Max
- 1 Sec. - 100 Hours -> ON
- 1 Sec. - 100 Hours -> OFF
- 4 DIGIT: Mode/Add/Enter/Reset

BOBINE: SERIE C, D, E

COILS: SERIES C, D, E
 SPULEN: SERIES C, D, E
 BOBINES: SÉRIES C, D, E
 BOBINAS: SERIES C, D, E
 BOBINAS: SÉRIES C, D, E

PAG: 19.5 / 19.6 / 19.7

PAG: 19.5 / 19.6 / 19.7
 PAG: 19.5 / 19.6 / 19.7
 PAG: 19.5 / 19.6 / 19.7
 PAG: 19.5 / 19.6 / 19.7
 PAG: 19.5 / 19.6 / 19.7

CONNETTORI

CONNECTORS
 STECKER
 CONNECTEURS
 CONECTORES
 CONECTORES

PAG: 19.10

PAG: 19.10
 PAG: 19.10
 PAG: 19.10
 PAG: 19.10
 PAG: 19.10

22 mm



Serie A
Pag. 19.2

UL
CSA C22.2

30 mm



Serie B
Pag. 19.3

UL
CSA C22.2

30 mm



Serie X
Pag. 19.4

Ex

30 mm



Serie C
Pag. 19.5

UL
CSA C22.2

30 mm



Serie D
Pag. 19.6

UL
CSA C22.2

36 mm



Serie E
Pag. 19.7

UL
CSA C22.2

50 mm



Serie Y
Pag. 19.8

Ex

Connectors

Coils & Connectors



Connectors
Pag. 19.9 / 19.10

UL
CSA C22.2

BOBINE E CONNETTORI

COILS AND CONNECTORS

SPULEN UND STECKER

BOBINES ET CONNECTEURS

BOBINAS Y CONECTORES

BOBINAS E CONECTORES



Coils & Connectors

Aignep offre un'ampia gamma di bobine e connettori standard (su richiesta anche in configurazione speciale) per soddisfare qualsiasi tipo di esigenza applicativa.

Le bobine sono disponibili in diverse taglie, con servizio continuo ED 100%, differenti potenze e nelle tensioni standard 12 / 24 VDC e 24 / 110 / 220 VAC; l'isolamento in classe H e la certificazione UL Recognized sono garantiti su tutte le bobine.

Sono altresì disponibili le versioni certificate ATEX per installazione in ambienti potenzialmente esplosivi (Ex mb e Ex d/tb).

I connettori sono disponibili con grado di protezione IP67 e nelle versioni standard con involucro nero o trasparente con led di segnalazione, oltre alla versione certificata UL Recognized.

Aignep offers a wide range of standard coils and connectors (on request also in special configuration) to satisfy any type of application requirement.

The coils are available in different sizes, with continuous duty ED 100%, different powers and in the standard voltages 12 / 24 VDC and 24 / 110 / 220 VAC; class H insulation and UL Recognized certification are guaranteed on all coils.

ATEX certified versions are also available for installation in potentially explosive environments (Ex mb and Ex d/tb).

The connectors are available with IP67 protection degree and in the standard versions with black case or transparent case with LED, in addition to the UL Recognized certified version.

Aignep bietet eine breite Palette von Standardspulen und Steckern (auf Anfrage auch in Sonderkonfiguration) an, um jede Art von Anwendungsanforderung zu erfüllen.

Die Spulen sind in verschiedenen Größen, mit Dauerbetrieb ED 100%, in verschiedenen Leistungen und in den Standardspannungen 12 / 24 VDC und 24 / 110 / 220 VAC erhältlich. Alle Magnetspulen haben die Isolierklasse H und haben eine UL-Zertifizierung.

ATEX-zertifizierte Versionen für die Installation in explosionsgefährdeten Umgebungen (Ex mb und Ex d/tb) sind ebenfalls erhältlich.

Die Stecker sind in der Schutzart IP67 und in den Standardversionen mit schwarzem Gehäuse oder transparentem Gehäuse mit LED erhältlich, zusätzlich zur UL-zertifizierten Version.

Aignep propose une large gamme de bobines et de connecteurs standards (sur demande également en configuration spéciale) pour répondre à tout type d'exigence d'application.

Les bobines sont disponibles en différentes tailles, avec service continu ED 100%, différentes puissances et dans les tensions standard 12 / 24 VDC et 24 / 110 / 220 VAC; l'isolation de classe H et la certification reconnue UL sont garanties sur toutes les bobines.

Des versions certifiées ATEX sont également disponibles pour une installation dans des environnements potentiellement explosifs (Ex mb et Ex d/tb).

Les connecteurs sont disponibles avec un degré de protection IP67 et dans les versions standard avec boîtier noir ou boîtier transparent avec LED, en plus de la version certifiée UL.

Aignep ofrece una amplia gama de bobinas y conectores estándar (bajo pedido también en configuración especial) para satisfacer cualquier tipo de requisito de aplicación.

Las bobinas están disponibles en diferentes tamaños, con servicio continuo ED 100%, diferentes potencias y en los voltajes estándar 12/24 VDC y 24/110/220 VAC; El aislamiento de clase H y la certificación reconocida por UL están garantizados en todas las bobinas.

Las versiones certificadas ATEX también están disponibles para su instalación en entornos potencialmente explosivos (Ex mb y Ex d/tb).

Los conectores están disponibles con grado de protección IP67 en las versiones estándar con caja negra o caja transparente con LED, además de la versión certificada UL Recognized.

A Aignep oferece uma ampla gama de bobinas e conectores padrão (sob encomenda também em configurações especiais) para satisfazer qualquer tipo de exigência de aplicação.

As bobinas estão disponíveis em diversos tamanhos, com regime contínuo ED 100%, diferentes potências e nas tensões padrão 12 / 24 VDC e 24 / 110 / 220 VAC; classe de isolamento H e certificação UL reconhecida para todas as bobinas.

Versões com certificação ATEX também estão disponíveis para instalação em ambientes potencialmente explosivos (Ex mb e Ex d/tb).

Os conectores estão disponíveis com grau de proteção IP67 e nas versões padrão com caixa preta ou caixa transparente com LED, além da versão certificada UL Recognized.

AIGNEP
SOL-700MGS000
24V DC
100W
Class H
UL Recognized

AIGNEP
SOL-700MGS000
24V DC
100W
Class H
UL Recognized

AIGNEP
SOL-700MGS000
24V DC
100W
Class H
UL Recognized

SERIE A

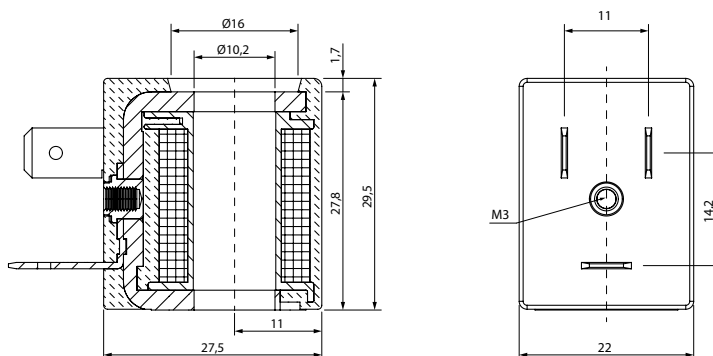
BOBINA

COIL
SPULE
BOBINE
BOBINA
SOLENOÏDE

22 mm 

10 mm 

ED 100% 



UL 429 & CSA C22.2 NO. 139-13

Riferimento <i>Reference</i> <i>Referenz</i> <i>Référence</i> <i>Referencia</i> <i>Referência</i>	Codice <i>Code</i> <i>Code</i> <i>Code</i> <i>Código</i> <i>Código</i>	Tensione <i>Voltage</i> <i>Leistung</i> <i>Tension</i> <i>Tensión</i> <i>Tensão</i>	Potenza <i>Power</i> <i>Leistung</i> <i>Puissance</i> <i>Potencia</i> <i>Potência</i>	Tolleranze di tensione <i>Voltage tolerance</i> <i>Spannungstoleranz</i> <i>Tolérance de la tension</i> <i>Tolerancia de tensión</i> <i>Tolerância de tensão</i>	Temperatura ambiente <i>Ambient temperature</i> <i>Umgebungstemperatur</i> <i>Température ambiante</i> <i>Temperatura ambiente</i> <i>Temperatura Ambiente</i>	
					Min	Max
AA	SOL10012C4000	12V DC	6.5 W	±10 %	-10 °C	+80 °C
AB	SOL10024C4000	24V DC	6.5 W	±10 %	-10 °C	+80 °C
A1	SOL10024A8000	24V AC / 50-60 Hz	7.5 VA	±10 %	-10 °C	+80 °C
A2	SOL10110A8000	110V AC / 50-60 Hz	7.5 VA	±10 %	-10 °C	+80 °C
A3	SOL10220A8000	220V AC / 50-60 Hz	7.5 VA	±10 %	-10 °C	+80 °C

CLASSE DI ISOLAMENTO
INSULATION CLASS
ISOLIERSTOFFKLASSE
CLASSE D'ISOLATION
CLASE DE AISLAMIENTO
CLASSE DE ISOLAMENTO

H
EN 60085

MATERIALE INCAPSULAMENTO
ENCAPSULATION MATERIAL
VERGUSSTMASSE
MATERIAUX EXTÉRIEUR
MATERIAL DE ENCAPSULAMIENTO
MATERIAL DE ENCAPSULAMENTO

RYNITE®

CONNESSIONI ELETTRICHE
ELECTRICAL CONNECTIONS
ELEKTRISCHE ANSCHLÜSSE
CONNEXIONS ELECTRIQUES
CONEXIÓN ELÉCTRICA
CONEXÕES ELÉTRICAS

FORM
B - INDUSTRIAL
EN 175301-803
(EX DIN 43650)

TEMPERATURA AMBIENTE
AMBIENT TEMPERATURE
UMGEBUNGSTEMPERATUR
TEMPÉRATURE AMBIANTE
TEMPERATURA AMBIENTE
TEMPERATURA AMBIENTE

-10 °C
+80 °C

GRADO DI PROTEZIONE
PROTECTION DEGREE
SCHUTZART
DEGRÉ DE PROTECTION
GRADO DE PROTECCIÓN
GRAU DE PROTEÇÃO

IP67
IEC 60529

Con connettore IP67
with connector IP67
Mit Stecker IP67
Avec connecteur IP67
Con conector IP67
Com conector IP67

OPZIONI
OPTIONS
OPTIONEN
OPTIONS
OPCIONES
OPÇÕES

Altre tensioni/potenze su richiesta
Other voltages/powers on request
Andere Spannungen/Leistungen auf Anfrage
Autres tensions/puissances sur demandes
Otras tensiones-potencia bajo pedido
Outras tensões/potências sob encomenda

SERIE B

BOBINA

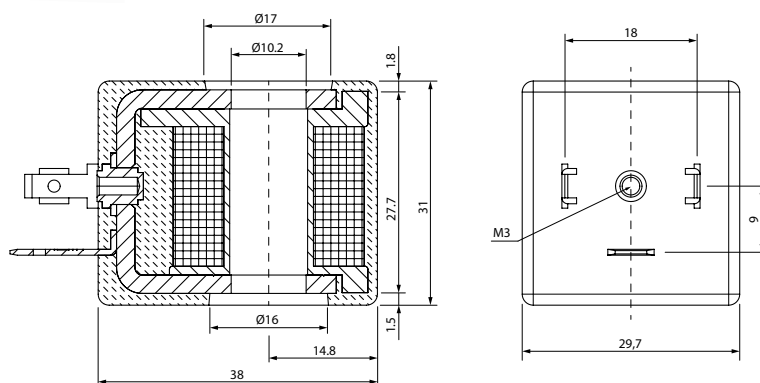
COIL
SPULE
BOBINE
BOBINA
SOLENÓIDE



30 mm

10 mm

ED 100%



UL 429 & CSA C22.2 NO. 139-13

Riferimento Reference Referenz Référéce Referencia Referência	Codice Code Code Code Código Código	Tensione Voltage Leistung Tension Tensión Tensão	Potenza Function Leistung Puissance Potencia Potência	Tolleranze di tensione Voltage tolerance Spannungstoleranz Tolérance de la tension Tolerancia de tensión Tolerância de tensão	Temperatura ambiente Ambient temperature Umgebungstemperatur Température ambiante Temperatura ambiente Temperatura Ambiente	
					Min	Max
BA	SOL11012C5000	12V DC	8 W	±10 %	-10 °C	+80 °C
BB	SOL11024C5000	24V DC	8 W	±10 %	-10 °C	+80 °C
B1	SOL11024A9000	24V AC / 50-60 Hz	11 VA	±10 %	-10 °C	+80 °C
B2	SOL11110A9000	110V AC / 50-60 Hz	11 VA	±10 %	-10 °C	+80 °C
B3	SOL11220A9000	220V AC / 50-60 Hz	11 VA	±10 %	-10 °C	+80 °C

CLASSE DI ISOLAMENTO
INSULATION CLASS
ISOLIERSTOFFKLASSE
CLASSE D'ISOLATION
CLASE DE AISLAMIENTO
CLASSE DE ISOLAMENTO

H
EN 60085

MATERIALE INCAPSULAMENTO
ENCAPSULATION MATERIAL
VERGUSSMASSE
MATERIAUX EXTÉRIEUR
MATERIAL DE ENCAPSULAMIENTO
MATERIAL DE ENCAPSULAMENTO

RYNITE®

CONNESSIONI ELETTRICHE
ELECTRICAL CONNECTIONS
ELEKTRISCHE ANSCHLÜSSE
CONNEXIONS ELECTRIQUES
CONEXIÓN ELÉCTRICA
CONEXÕES ELÉTRICAS

FORM A

EN 175301-803
(EX DIN 43650)

TEMPERATURA AMBIENTE
AMBIENT TEMPERATURE
UMGEBUNGSTEMPERATUR
TEMPÉRATURE AMBIANTE
TEMPERATURA AMBIENTE
TEMPERATURA AMBIENTE

-10 °C
+80 °C

GRADO DI PROTEZIONE
PROTECTION DEGREE
SCHUTZART
DEGRÉ DE PROTECTION
GRADO DE PROTECCIÓN
GRAU DE PROTEÇÃO

IP67
IEC 60529

Con connettore IP67
with connector IP67
Mit Stecker IP67
Avec connecteur IP67
Con conector IP67
Com conector IP67

OPZIONI
OPTIONS
OPTIONEN
OPTIONEN
OPCIONES
OPÇÕES

Altre tensioni/potenze su richiesta
Other voltages/powers on request
Andere Spannungen/Leistungen auf Anfrage
Autres tensions/puissances sur demandes
Otras tensiones-potencia bajo pedido
Outras tensões/potências sob encomenda

SERIE X

BOBINA

COIL
SPULE
BOBINE
BOBINA
SOLENÓIDE



30 mm

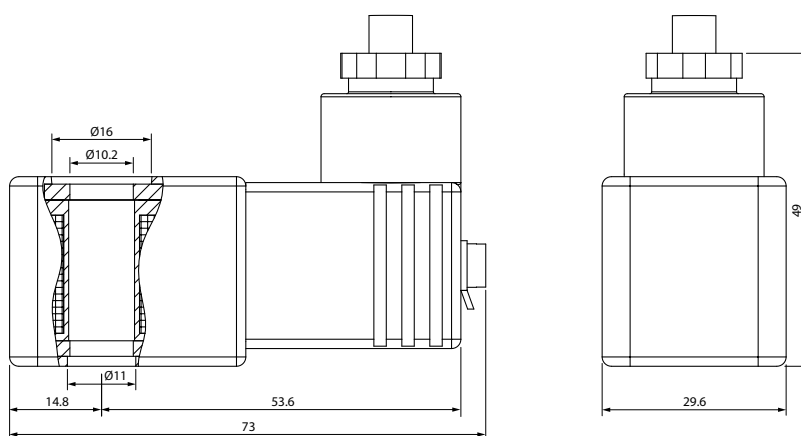
10 mm

ED 100%



ATEX
II 2G Ex mb IIC T4 Gb
II 2D Ex mb IIIC T135°C Db
I M2 Ex mb I Mb
INERIS 06ATEX0002X

IECEX
Ex mb IIC T4 Gb
Ex mb IIIC T135°C Db
Ex mb I Mb
IECEX INE 15.0053X



Riferimento <i>Reference Referenz Référence Referencia Referência</i>	Codice <i>Code Code Code Código Código</i>	Tensione <i>Voltage Leistung Tension Tensión Tensão</i>	Potenza <i>Power Leistung Puissance Potencia Potência</i>	Tolleranze di tensione <i>Voltage tolerance Spannungstoleranz Tolérance de la tension Tolerancia de tensión Tolerância de tensão</i>	Temperatura ambiente <i>Ambient temperature Umgebungstemperatur Température ambiante Temperatura ambiente Temperatura Ambiente</i>	
					Min	Max
XB	SOLX4024CE000	24V DC	5.3 W	±10 %	-20 °C	+40 °C
X1	SOLX4024AE000	24V AC / 50-60 Hz	5.3 W	±10 %	-20 °C	+40 °C
X2	SOLX4110AE000	110V AC / 50-60 Hz	5.3 W	±10 %	-20 °C	+40 °C
X3	SOLX4220AE000	230V AC / 50-60 Hz	5.3 W	±10 %	-20 °C	+40 °C

CLASSE DI ISOLAMENTO
CLASS OF ISOLATION
ISOLIERSTOFFKLASSE
CLASSE D'ISOLATION
CLASE DE AISLAMIENTO
CLASSE DE ISOLAMENTO

H
EN 60085

MATERIALE INCAPSULAMENTO
ENCAPSULATION MATERIAL
VERGUSSTMASSE
MATERIAUX EXTÉRIEUR
MATERIAL DE ENCAPSULAMIENTO
MATERIAL DE ENCAPSULAMENTO

POLYAMIDE

CONNESSIONI ELETTRICHE
ELECTRICAL CONNECTIONS
ELEKTRISCHE ANSCHLÜSSE
CONNEXIONS ELECTRIQUES
CONEXIÓN ELÉCTRICA
CONEXÕES ELÉTRICAS

3 Mt.
Cavo tripolare
Three-pole cable
3-adriges Kabel
Câble tripolaire
Cable tripolar
Cabo tripolar

GRADO DI PROTEZIONE
DEGREE OF PROTECTION
SCHUTZART
DEGRÉ DE PROTECTION
GRADO DE PROTECCIÓN
GRAU DE PROTEÇÃO

IP6_
IEC 60529
In base al cablaggio
According to wiring
Je nach Verdrahtung
Selon le câblage
Según el cableado
Acordo o cabeamento

CARATTERISTICHE
FEATURES
EIGENSCHAFTEN
CARACTÉRISTIQUES
CARACTERÍSTICA
CARACTERÍSTICAS

Fusibile interno
Internal fuse
Interne Sicherung
Fusible interne
Fusível interno

NORMATIVE ATEX
ATEX REGULATIONS
ATEX RICHTLINIEN
NORMATIVE ATEX
NORMATIVA ATEX
NORMATIVA ATEX

EN 60079-0
EN 60079-18

SERIE C

BOBINA

COIL
SPULE
BOBINE
BOBINA
SOLENÓIDE



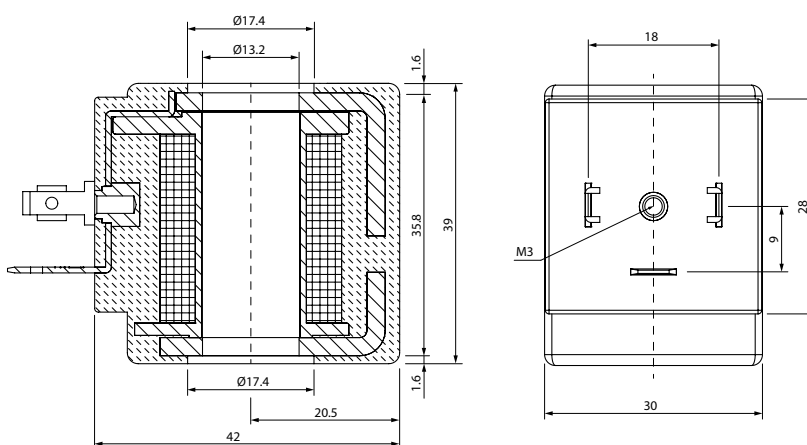
30 mm

13 mm

ED 100%



UL 429 & CSA C22.2 NO. 139-13



Riferimento Reference Referenz Référéncie Referencia Referência	Codice Code Code Code Código Código	Tensione Voltage Leistung Tension Tensión Tensão	Potenza Function Leistung Puissance Potencia Potência	Tolleranze di tensione Voltage tolerance Spannungstoleranz Tolérance de la tension Tolerancia de tensión Tolerância de tensão	Temperatura ambiente Ambient temperature Umgebungstemperatur Température ambiante Temperatura ambiente Temperatura Ambiente	
					Min	Max
CA	SOL20012C5000	12V DC	8 W	±10 %	-10 °C	+80 °C
CB	SOL20024C5000	24V DC	8 W	±10 %	-10 °C	+80 °C
C1	SOL20024AA000	24V AC / 50-60 Hz	14 VA	±10 %	-10 °C	+80 °C
C2	SOL20110AA000	110V AC / 50-60 Hz	14 VA	±10 %	-10 °C	+80 °C
C3	SOL20220AA000	220V AC / 50-60 Hz	14 VA	±10 %	-10 °C	+80 °C

CLASSE DI ISOLAMENTO
CLASS OF ISOLATION
ISOLIERSTOFFKLASSE
CLASSE D'ISOLATION
CLASE DE AISLAMIENTO
CLASSE DE ISOLAMENTO

H
EN 60085

MATERIALE INCAPSULAMENTO
ENCAPSULATION MATERIAL
VERGÜSSMASSE
MATERIAUX EXTÉRIEUR
MATERIAL DE ENCAPSULAMIENTO
MATERIAL DE ENCAPSULAMENTO

RYNITE®

CONNESSIONI ELETTRICHE
ELECTRICAL CONNECTIONS
ELEKTRISCHE ANSCHLÜSSE
CONNEXIONS ELECTRIQUES
CONEXIÓN ELÉCTRICA
CONEXÕES ELÉTRICAS

FORM A

EN 175301-803
(EX DIN 43650)

TEMPERATURA AMBIENTE
AMBIENT TEMPERATURE
UMGEBUNGSTEMPERATUR
TEMPÉRATURE AMBIANTE
TEMPERATURA AMBIENTE
TEMPERATURA AMBIENTE

-10 °C
+80 °C

GRADO DI PROTEZIONE
PROTECTION DEGREE
SCHUTZART
DEGRÉ DE PROTECTION
GRADO DE PROTECCIÓN
GRAU DE PROTEÇÃO

IP67
IEC 60529

Con connettore IP67
with connector IP67
Mit Stecker IP67
Avec connecteur IP67
Con conector IP67
Com conector IP67

OPZIONI
OPTIONS
OPTIONEN
OPÇÕES

Altre tensioni/potenze su richiesta
Other voltages/powers on request
Andere Spannungen/Leistungen auf Anfrage
Autres tensions/puissances sur demandes
Otras tensiones-potencia bajo pedido
Outras tensões/potências sob encomenda

SERIE D

BOBINA

COIL
SPULE
BOBINE
BOBINA
SOLENOÏDE



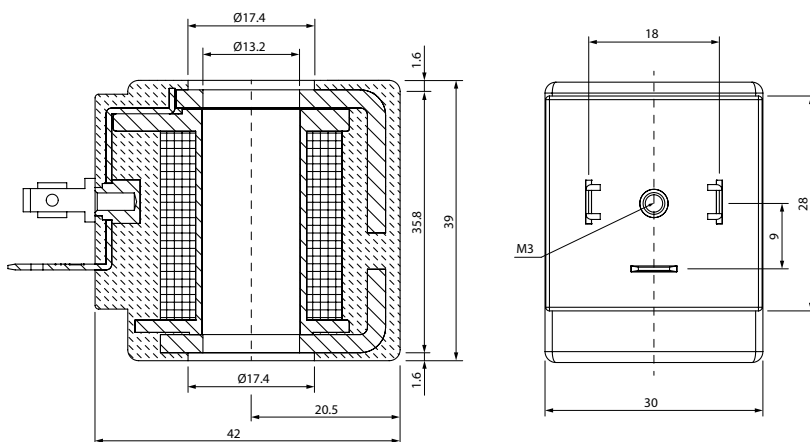
30 mm

13 mm

ED 100%



UL 429 & CSA C22.2 NO. 139-13



Riferimento Reference Referenz Référence Referència Referência	Codice Code Code Code Código Código	Tensione Voltage Leistung Tension Tensión Tensão	Potenza Function Leistung Puissance Potencia Potência	Tolleranze di tensione Voltage tolerance Spannungstoleranz Tolérance de la tension Tolerancia de tensión Tolerância de tensão	Temperatura ambiente Ambient temperature Umgebungstemperatur Température ambiante Temperatura ambiente Temperatura Ambiente	
					Min	Max
DA	SOL20012C6000	12V DC	14 W	±10 %	-10 °C	+80 °C
DB	SOL20024C6000	24V DC	14 W	±10 %	-10 °C	+80 °C
D1	SOL20024AB000	24V AC / 50-60 Hz	21 VA	±10 %	-10 °C	+80 °C
D2	SOL20110AB000	110V AC / 50-60 Hz	21 VA	±10 %	-10 °C	+80 °C
D3	SOL20220AB000	220V AC / 50-60 Hz	21 VA	±10 %	-10 °C	+80 °C

CLASSE DI ISOLAMENTO

INSULATION CLASS
ISOLIERSTOFFKLASSE
CLASSE D'ISOLATION
CLASE DE AISLAMIENTO
CLASSE DE ISOLAMENTO

**H
EN 60085**

MATERIALE INCAPSULAMENTO

ENCAPSULATION MATERIAL
VERGUSSTMASSE
MATERIAUX EXTÉRIEUR
MATERIAL DE ENCAPSULAMIENTO
MATERIAL DE ENCAPSULAMENTO

RYNITE®

CONNESSIONI ELETTRICHE

ELECTRICAL CONNECTIONS
ELEKTRISCHE ANSCHLÜSSE
CONNEXIONS ELECTRIQUES
CONEXIÓN ELÉCTRICA
CONEXÕES ELÉTRICAS

FORM A

EN 175301-803
(EX DIN 43650)

TEMPERATURA AMBIENTE

AMBIENT TEMPERATURE
UMGEBUNGSTEMPERATUR
TEMPÉRATURE AMBIANTE
TEMPERATURA AMBIENTE
TEMPERATURA AMBIENTE

**-10 °C
+80 °C**

GRADO DI PROTEZIONE

PROTECTION DEGREE
SCHUTZART
DEGRÉ DE PROTECTION
GRADO DE PROTECCIÓN
GRAU DE PROTEÇÃO

**IP67
IEC 60529**

Con connettore IP67
with connector IP67
Mit Stecker IP67
Avec connecteur IP67
Con conector IP67
Com conector IP67

OPZIONI

OPTIONS
OPTIONEN
OPTIONS
OPCIONES
OPÇÕES

Altre tensioni/potenze su richiesta

Other voltages/powers on request
Andere Spannungen/Leistungen auf Anfrage
Autres tensions/puissances sur demandes
Otras tensiones-potencia bajo pedido
Outras tensões/potências sob encomenda

SERIE E

BOBINA

COIL
SPULE
BOBINE
BOBINA
SOLENÓIDE



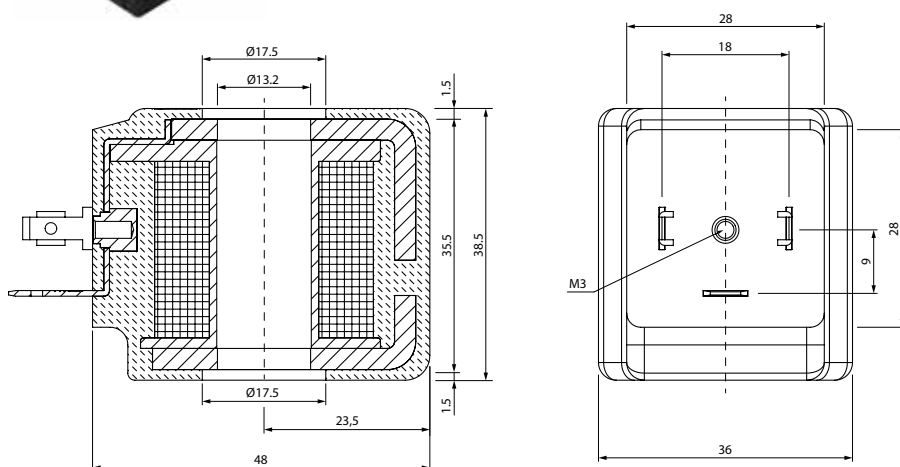
36 mm

13 mm

ED 100%



UL 429 & CSA C22.2 NO. 139-13



Riferimento Reference Referenz Référéce Referencia Referência	Codice Code Code Code Código Código	Tensione Voltage Leistung Tensión Tensão	Potenza Function Leistung Puissance Potencia Potência	Tolleranze di tensione Voltage tolerance Spannungstoleranz Tolérance de la tension Tolerancia de tensión Tolerância de tensão	Temperatura ambiente Ambient temperature Umgebungstemperatur Température ambiante Temperatura ambiente Temperatura Ambiente	
					Min	Max
EA	SOL21012C7000	12V DC	22 W	±10 %	-10 °C	+80 °C
EB	SOL21024C7000	24V DC	22 W	±10 %	-10 °C	+80 °C
E1	SOL21024AC000	24V AC / 50-60 Hz	31 VA	±10 %	-10 °C	+80 °C
E2	SOL21110AC000	110V AC / 50-60 Hz	31 VA	±10 %	-10 °C	+80 °C
E3	SOL21220AC000	220V AC / 50-60 Hz	31 VA	±10 %	-10 °C	+80 °C

CLASSE DI ISOLAMENTO
INSULATION CLASS
ISOLIERSTOFFKLASSE
CLASSE D'ISOLATION
CLASE DE AISLAMIENTO
CLASSE DE ISOLAMENTO

H
EN 60085

MATERIALE INCAPSULAMENTO
ENCAPSULATION MATERIAL
VERGÜSSMASSE
MATERIAUX EXTÉRIEUR
MATERIAL DE ENCAPSULAMIENTO
MATERIAL DE ENCAPSULAMENTO

RYNITE®

CONNESSIONI ELETTRICHE
ELECTRICAL CONNECTIONS
ELEKTRISCHE ANSCHLÜSSE
CONNEXIONS ELECTRIQUES
CONEXIÓN ELÉCTRICA
CONEXÕES ELÉTRICAS

FORM A
EN 175301-803
(EX DIN 43650)

TEMPERATURA AMBIENTE
AMBIENT TEMPERATURE
UMGEBUNGSTEMPERATUR
TEMPÉRATURE AMBIANTE
TEMPERATURA AMBIENTE
TEMPERATURA AMBIENTE

-10 °C
+80 °C

GRADO DI PROTEZIONE
PROTECTION DEGREE
SCHUTZART
DEGRÉ DE PROTECTION
GRADO DE PROTECCIÓN
GRAU DE PROTEÇÃO

IP67
IEC 60529
Con connettore IP67
with connector IP67
Mit Stecker IP67
Avec connecteur IP67
Con conector IP67
Com conector IP67

OPZIONI
OPTIONS
OPTIONEN
OPTIONEN
OPCIONES
OPÇÕES

Altre tensioni/potenze su richiesta
Other voltages/powers on request
Andere Spannungen/Leistungen auf Anfrage
Autres tensions/puissances sur demandes
Otras tensiones-potencia bajo pedido
Outras tensões/potências sob encomenda

SERIE Y

BOBINA

COIL
SPULE
BOBINE
BOBINA
SOLENOÏDE



50 mm

14 mm

ED 100%



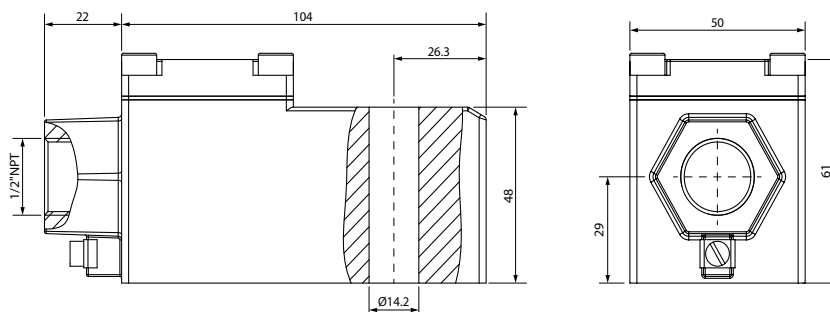
ATEX II 2GD

Ex d IIC T6 o T5 o T4 Gb IP66

Ex tb IIIC T85°C o T100°C o T135°C Db IP66

CESI 03 ATEX 344/02

Tamb -40°C ÷ +35°C(T6) o +50°C(T5) o +60°C(T4)



Riferimento Reference Referenz Référéncia Referencia Referência	Codice Code Code Code Código Código	Tensione Voltage Leistung Tension Tensión Tensão	Potenza Function Leistung Puissance Potencia Potência	Tolleranze di tensione Voltage tolerance Spannungstoleranz Tolérance de la tension Tolerancia de tensión Tolerância de tensão
YA	SOLY0012C5000	12V DC	8 W	±10 %
YB	SOLY0024C5000	24V AC / DC	8 W	±10 %
Y2	SOLY0110C5000	110V/120V AC / DC	8 W	±10 %
Y3	SOLY0220C5000	220V/240V AC / DC	8 W	±10 %

CLASSE DI ISOLAMENTO
CLASS OF ISOLATION
ISOLIERSTOFFKLASSE
CLASSE D'ISOLATION
CLASE DE AISLAMIENTO
CLASSE DE ISOLAMENTO

H
EN 60085

MATERIALE CUSTODIA
CASE MATERIAL
GEHÄUSEMATERIAL
MATERIAU DU BOITIER
MATERIAL DE LA CAJA
MATERIAL DA CAPA

ALUMINIUM

Acciaio Inox su richiesta
Stainless Steel on request
Edelstahl auf anfrage
acier inoxydable sur demande
acero inoxidable bajo pedido
aço inoxidável sob encomenda

CERTIFICAZIONI SU RICHIESTA
CERTIFICATIONS ON REQUEST
ZERTIFIZIERUNGEN AUF ANFRAGE
CERTIFICATIONS SUR DEMANDE
CERTIFICACIONES BAJO SOLICITUD
CERTIFICAÇÕES SOB ENCOMENDA

EAC
INMETRO
CCOE
PESO
CCC

GRADO DI PROTEZIONE
DEGREE OF PROTECTION
SCHUTZART
DEGRÉ DE PROTECTION
GRADO DE PROTECCIÓN
GRAU DE PROTEÇÃO

IP66
IEC 60529

INGRESSO CAVI
CABLE ENTRY
KABELDURCHFÜHRUNGEN
ENTRÉE DE CÂBLE
ENTRADA DE CABLE
ENTRADA DE CABOS

1/2" NPT

Su richiesta M20x1.5
On request M20x1.5
Auf Anfrage M20x1.5
Sur demande M20x1.5
Bajo pedido M20x1.5
Sob encomenda M20x1.5

VERSIONI SPECIALI
SPECIAL VERSION
SONDERAUSFÜHRUNG
VERSION SPECIALE
VERSIÓN ESPECIAL
VERSÕES ESPECIAIS

Su richiesta
On request
Auf Anfrage
Sur demande
A petición
Sob encomenda

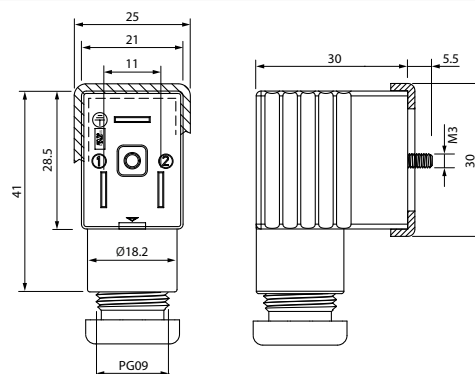
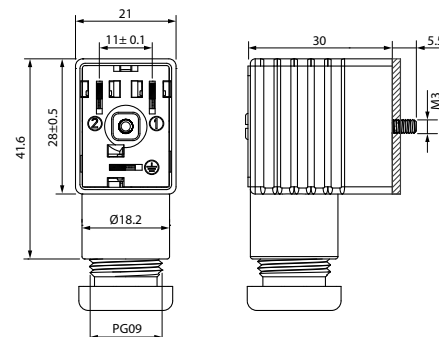
ALTRE CARATTERISTICHE
OTHER FEATURES
ANDERE EIGENSCHAFTEN
AUTRES CARACTÉRISTIQUES
OTRAS CARACTERÍSTICA
OUTRAS CARACTERÍSTICAS

Morsettiera integrata, ingresso cavi orizzontale, soppressore picchi di tensione, doppia guarnizione, condizioni ambientali estreme
Integrated terminal block, horizontal cable entry, surge suppressor, double gasket, extreme environmental conditions
Integrierte Klemmleiste, horizontale Kabeleinführung, Überspannungsschutz, doppelte Dichtung, extreme Umweltbedingungen
Bornier intégré, entrée de câble horizontale, sur-tension, double étanchéité, conditions environnementales extrêmes
Bloque de terminales integrado, entrada de cable horizontal, supresor de sobretensiones, doble cierre, condiciones ambientales extremas
Bloco terminal ntegrado, entrada de cabo horizontal, supressor de pico de tensão, dupla vedação, condições ambientais extremas

CONNETTORE

CONNECTOR
STECKER
CONNECTEURS
CONECTOR
CONECTOR

 **22 mm**



Codice Code Code Code Código Código	Taglia Size Grösse Dimensions Talla Tamanho	Colore Colour Farbe Couleur Color Cor	Caratteristiche Characteristics Eigenschaften Caractéristiques Características Características
	mm		
CON01 000 01	22	BLACK	2 POLI - PINS - PINS - BROCHES - PINS - PINOS
CON02 024 00	22	TRANSPARENT	● LED + VDR 0 - 24V
CON02 110 00	22	TRANSPARENT	● LED + VDR 110V
CON02 250 00	22	TRANSPARENT	● LED + VDR 220V
CONU1 000 01	22	BLACK	2 POLI - PINS - PINS - BROCHES - PINS - PINOS

UL 1977 AND CAN/CSA C22.2 NO. 182.3

VDR: Dotati di Varistore come dispositivo di protezione delle sovratensioni.
Fitted with varistors as surge protection device.
Ausgestattet mit Varistor als ÜberSpannungsschutz.
Equipé avec varistance de protection contre les sur Tensions.
Dotado de Varistor como dispositivo de protección de sobretensiones.
Dotados de Varistor como dispositivo de proteção de sobretenção.



Schema elettrico

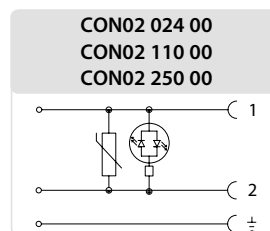
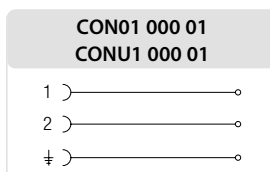
Wiring

Elektroschema

Schéma électrique

Esquema eléctrico

Esquema elétrico



CONNESSIONI ELETTRICHE
ELECTRICAL CONNECTIONS
ELEKTRISCHE ANSCHLÜSSE
CONNEXIONS ELECTRIQUES
CONEXIÓN ELÉCTRICA
CONEXÕES ELÉTRICAS

FORM B - INDUSTRIAL

EN 175301-803
(EX DIN 43650)

GRADO DI PROTEZIONE
PROTECTION DEGREE
SCHUTZART
DEGRÉ DE PROTECTION
GRADO DE PROTECCIÓN
GRAU DE PROTEÇÃO

IP67
IEC 60529

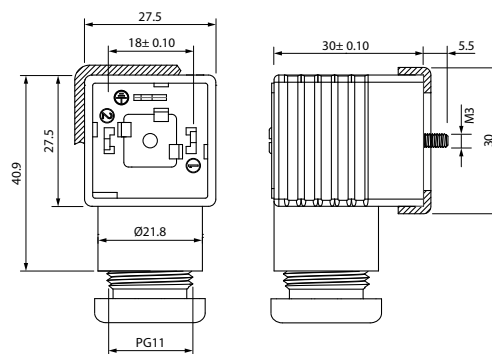
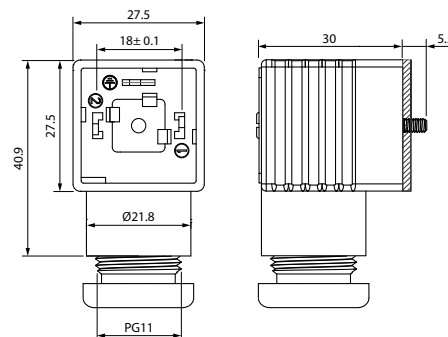
DIAMETRO CAVO
CABLE DIAMETER
KABELDURCHMESSER
DIAMÈTRE DU CABLE
DIÁMETRO CABLE
DIÁMETRO DO CABO


6 ÷ 8 mm

CONNETTORE

CONNECTOR
STECKER
CONNECTEURS
CONECTOR
CONECTOR

 **30-36 mm**



	Taglia Size Größe Dimensions Talla Tamanho	Colore Colour Farbe Couleur Color Cor	Caratteristiche Characteristics Eigenschaften Caractéristiques Características
	mm		
CON31 000 01	30 - 36	BLACK	2 POLI - PINS - PINS - BROCHES - PINS - PINOS
CON32 024 00	30 - 36	TRANSPARENT	● LED + VDR 0 - 24V
CON32 110 00	30 - 36	TRANSPARENT	● LED + VDR 110V
CON32 250 00	30 - 36	TRANSPARENT	● LED + VDR 220V
CONU3 100 01 	30 - 36	BLACK	2 POLI - PINS - PINS - BROCHES - PINS - PINOS

UL 1977 AND CAN/CSA C22.2 NO. 182.3

VDR: Dotati di Varistore come dispositivo di protezione delle sovratensioni.
Fitted with varistors as surge protection device.
Ausgestattet mit Varistor als ÜberSpannungsschutz.
Équipé avec varistance de protection contre les sur Tensions.
Dotado de Varistor como dispositivo de protección de sobretensiones.
Dotados de Varistor como dispositivo de proteção de sobretenção.



Schema elettrico

Wiring

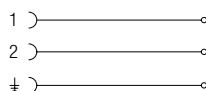
Elektroschema

Schéma électrique

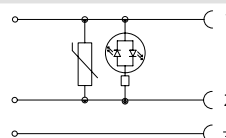
Esquema eléctrico

Esquema elétrico

CON31 000 01
CONU3 100 01



CON32 024 00
CON32 110 00
CON32 250 00



CONNESSIONI ELETTRICHE
ELECTRICAL CONNECTIONS
ELEKTRISCHE ANSCHLÜSSE
CONNEXIONS ELECTRIQUES
CONEXIÓN ELÉCTRICA
CONEXÕES ELÉTRICAS

FORM A

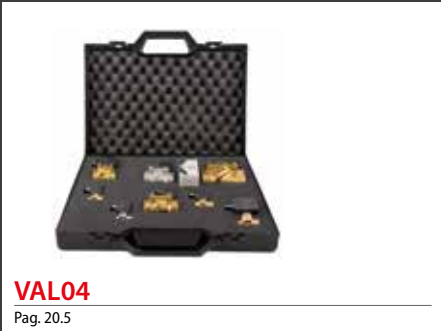
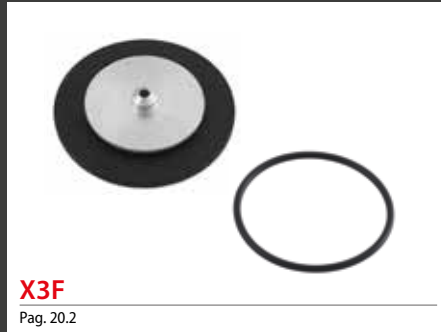
EN 175301-803
(EX DIN 43650)

GRADO DI PROTEZIONE
PROTECTION DEGREE
SCHUTZART
DEGRÉ DE PROTECTION
GRADO DE PROTECCIÓN
GRAU DE PROTEÇÃO

IP67
IEC 60529

DIAMETRO CAVO
CABLE DIAMETER
KABELDURCHMESSER
DIAMÈTRE DU CABLE
DIÁMETRO CABLE
DIÁMETRO DO CABO

6 ÷ 8 mm
&
8 ÷ 11 mm



Solenoid Pilots



RICAMBI E ACCESSORI FLUIDITY - ELETTROPILOTI

FLUIDITY SPARE PARTS AND ACCESSORIES - SOLENOID PILOTS

FLUIDITY ERSATZTEILE UND ZUBEHÖR - ELEKTROPILOTEN

PIÈCES ET ACCESSOIRES FLUIDITY - ÉLECTROPILOTES

RECAMBIOS Y ACCESORIOS FLUIDITY - ELECTROPILOTOS

SOBRESSELENTES E ACESSÓRIOS FLUIDITY - PILOTOS ELÉTRICOS



Accessories - Solenoid Pilots

KIT - 03F

KIT MEMBRANA E O-RING - SERIE 03F

DIAPHRAGM KIT AND O-RING - SERIE 03F
 ERSATZMEMBRANE FÜR MAGNETVENTILE UND O-RING - SERIE 03F
 MEMBRANE DE RECHANGE ET O-RING - SERIE 03F
 GRUPO MEMBRANA Y O-RING - SERIE 03F
 KIT DIAFRAGMA E O-RING - SERIE 03F



Codice Code Code Código Código	Materiale tenute Sealing materials Dichtungswerkstoffe Matériau joint Material juntas Material das vedações	Taglia Size Grösse Dimensions Talla Tamanho	Pack.
03FK4 0 03 N 0	NBR	1/4"	1
03FK4 0 03 V 0	FKM	1/4"	1
03FK4 0 03 E 0	EPDM	1/4"	1
03FK4 0 04 N 0	NBR	3/8" - 1/2"	1
03FK4 0 04 V 0	FKM	3/8" - 1/2"	1
03FK4 0 04 E 0	EPDM	3/8" - 1/2"	1
03FK4 0 07 N 0	NBR	3/4"	1
03FK4 0 07 V 0	FKM	3/4"	1
03FK4 0 07 E 0	EPDM	3/4"	1
03FK4 0 09 N 0	NBR	1"	1
03FK4 0 09 V 0	FKM	1"	1
03FK4 0 09 E 0	EPDM	1"	1

KIT - X3F

KIT MEMBRANA E O-RING - SERIE X3F

DIAPHRAGM KIT AND O-RING - SERIE X3F
 ERSATZMEMBRANE FÜR MAGNETVENTILE UND O-RING - SERIE X3F
 MEMBRANE DE RECHANGE ET O-RING - SERIE X3F
 GRUPO MEMBRANA Y O-RING - SERIE X3F
 KIT DIAFRAGMA E O-RING - SERIE X3F



Codice Code Code Código Código	Materiale tenute Sealing materials Dichtungswerkstoffe Matériau joint Material juntas Material das vedações	Taglia Size Grösse Dimensions Talla Tamanho	Pack.
X3FK4 0 03 N 0	NBR	1/4"	1
X3FK4 0 03 V 0	FKM	1/4"	1
X3FK4 0 03 E 0	EPDM	1/4"	1
X3FK4 0 04 N 0	NBR	3/8" - 1/2"	1
X3FK4 0 04 V 0	FKM	3/8" - 1/2"	1
X3FK4 0 04 E 0	EPDM	3/8" - 1/2"	1
X3FK4 0 07 N 0	NBR	3/4"	1
X3FK4 0 07 V 0	FKM	3/4"	1
X3FK4 0 07 E 0	EPDM	3/4"	1
X3FK4 0 09 N 0	NBR	1"	1
X3FK4 0 09 V 0	FKM	1"	1
X3FK4 0 09 E 0	EPDM	1"	1

KIT - 04F

KIT MEMBRANA E O-RING - SERIE 04F

DIAPHRAGM KIT AND O-RING - SERIE 04F
 ERSATZMEMBRANE FÜR MAGNETVENTILE UND O-RING - SERIE 04F
 MEMBRANE DE RECHANGE ET O-RING - SERIE 04F
 GRUPO MEMBRANA Y O-RING - SERIE 04F
 KIT DIAFRAGMA E O-RING - SERIE 04F



1/4" - 3/8" - 1/2"



3/4" - 1"



1"1/4 - 1"1/2 - 2"

KIT - 04F

KIT MEMBRANA RINFORZATA E O-RING - SERIE 04F

REINFORCED DIAPHRAGM KIT AND O-RING - SERIE 04F
 VERSTÄRKT ERSATZMEMBRANE FÜR MAGNETVENTILE UND O-RING - SERIE 04F
 MEMBRANE RENFORCÉE DE RECHANGE ET O-RING - SERIE 04F
 GRUPO MEMBRANA REFORZADA Y O-RING - SERIE 04F
 KIT DIAFRAGMA REFORÇADA E O-RING - SERIE 04F



3/4" - 1"

KIT - X4F

KIT MEMBRANA INOX E O-RING - SERIE X4F

DIAPHRAGM KIT IN STAINLESS STEEL AND O-RING - SERIE X4F
 ERSATZMEMBRANE FÜR MAGNETVENTILE EDELSTAHL UND O-RING - SERIE X4F
 MEMBRANE DE RECHANGE EN ACIER INOX ET O-RING - SERIE X4F
 GRUPO MEMBRANA EN ACIER INOX Y O-RING - SERIE X4F
 KIT DIAFRAGMA EN AÇO INOX E O-RING - SERIE X4F



1/4" - 3/8" - 1/2"



3/4" - 1"

Codice Code Code Code Código Código	Materiale tenute Sealing materials Dichtungswerkstoffe Matériau joint Material juntas Material das vedações	Taglia Size Grösse Dimensions Talla Tamanho	Pack.
1/4" - 3/8" - 1/2"			
04FK4 0 03 N 0	NBR	1/4"	1
04FK4 0 03 V 0	FKM	1/4"	1
04FK4 0 03 E 0	EPDM	1/4"	1
04FK4 0 04 N 0	NBR	3/8" - 1/2" - Ø 12	1
04FK4 0 04 V 0	FKM	3/8" - 1/2" - Ø 12	1
04FK4 0 04 E 0	EPDM	3/8" - 1/2" - Ø 12	1
04FK4 0 Y3 N 0	NBR	3/8" - 1/2" - Ø 14	1
04FK4 0 Y3 V 0	FKM	3/8" - 1/2" - Ø 14	1
04FK4 0 Y3 E 0	EPDM	3/8" - 1/2" - Ø 14	1
3/4" - 1"			
04FK4 0 07 N 0	NBR	3/4"	1
04FK4 0 07 V 0	FKM	3/4"	1
04FK4 0 07 E 0	EPDM	3/4"	1
04FK4 0 09 N 0	NBR	1"	1
04FK4 0 09 V 0	FKM	1"	1
04FK4 0 09 E 0	EPDM	1"	1
1"1/4 - 1"1/2 - 2"			
04FK4 0 XF N 0	NBR	1"1/4 - 1"1/2	1
04FK4 0 XF V 0	FKM	1"1/4 - 1"1/2	1
04FK4 0 XF E 0	EPDM	1"1/4 - 1"1/2	1
04FK4 0 XH N 0	NBR	2"	1
04FK4 0 XH V 0	FKM	2"	1
04FK4 0 XH E 0	EPDM	2"	1

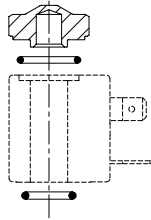
Codice Code Code Code Código Código	Materiale tenute Sealing materials Dichtungswerkstoffe Matériau joint Material juntas Material das vedações	Taglia Size Grösse Dimensions Talla Tamanho	Pack.
3/4" - 1"			
04FK4 0 07 N 2	NBR	3/4"	1
04FK4 0 07 V 2	FKM	3/4"	1
04FK4 0 07 E 2	EPDM	3/4"	1
04FK4 0 09 N 2	NBR	1"	1
04FK4 0 09 V 2	FKM	1"	1
04FK4 0 09 E 2	EPDM	1"	1

Codice Code Code Code Código Código	Materiale tenute Sealing materials Dichtungswerkstoffe Matériau joint Material juntas Material das vedações	Taglia Size Grösse Dimensions Talla Tamanho	Pack.
1/4" - 3/8" - 1/2"			
X4FK4 0 03 N 0	NBR	1/4"	1
X4FK4 0 03 V 0	FKM	1/4"	1
X4FK4 0 03 E 0	EPDM	1/4"	1
X4FK4 0 04 N 0	NBR	3/8" - 1/2" - Ø 12	1
X4FK4 0 04 V 0	FKM	3/8" - 1/2" - Ø 12	1
X4FK4 0 04 E 0	EPDM	3/8" - 1/2" - Ø 12	1
X4FK4 0 Y3 N 0	NBR	3/8" - 1/2" - Ø 14	1
X4FK4 0 Y3 V 0	FKM	3/8" - 1/2" - Ø 14	1
X4FK4 0 Y3 E 0	EPDM	3/8" - 1/2" - Ø 14	1
3/4" - 1"			
X4FK4 0 07 N 0	NBR	3/4"	1
X4FK4 0 07 V 0	FKM	3/4"	1
X4FK4 0 07 E 0	EPDM	3/4"	1
X4FK4 0 09 N 0	NBR	1"	1
X4FK4 0 09 V 0	FKM	1"	1
X4FK4 0 09 E 0	EPDM	1"	1

KIT - OPK06 / OPK07

KIT ANTICONDENSA IN FKM - 2/2 NC

WET-PROOF KIT IN FKM - 2/2 NC
 FKM ANTIKONDENSAT KIT - 2/2 NC
 KIT ANTI-BUÉE IN FKM - 2/2 NC
 ANTICONDENSACIÓN KIT IN FKM - 2/2 NC
 KIT ANTI-CONDENSADO EM FKM - 2/2 NC

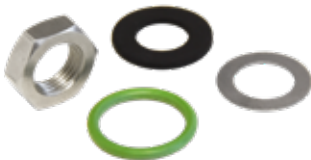


Codice Code Code Code Código Código	Materiale tenute Sealing materials Dichtungswerkstoffe Matériau joint Material juntas Material das vedações	Bobina e Ø tubo guida Coil and Ø armature tube Spulen und Ø Führungsrohr Bobine et Ø Tube de pilotage Bobina y Ø Tubo guía Bobina e Ø Tubo guía	Pack.
OPK06 VT B2 NC 22	FKM	22 mm - Ø 10 mm	1
OPK06 VT B2 NC 30	FKM	30 mm - Ø 10 mm	1
OPK07 VT B2 NC 30	FKM	30/36 mm - Ø 13 mm	1

KIT - OPK12

KIT ANTICONDENSA IN FKM - 3/2 NC - 1/8" CONICO

WET-PROOF KIT IN FKM - 3/2 NC - 1/8" CONICAL
 FKM ANTIKONDENSAT KIT - 3/2 NC - 1/8" KONISCH
 KIT ANTI-BUÉE IN FKM - 3/2 NC - 1/8" CONIQUE
 ANTICONDENSACIÓN KIT IN FKM - 3/2 NC - 1/8" CÓNICO
 KIT ANTI-CONDENSADO EM FKM - 3/2 NC - 1/8" CÔNICA



Codice Code Code Code Código Código	Materiale tenute Sealing materials Dichtungswerkstoffe Matériau joint Material juntas Material das vedações	Bobina e Ø tubo guida Coil and Ø armature tube Spulen und Ø Führungsrohr Bobine et Ø Tube de pilotage Bobina y Ø Tubo guía Bobina e Ø Tubo guía	Pack.
OPK12 VT B3 NC 00	FKM	30/36 mm - Ø 13 mm	1

90985

TEMPORIZZATORE ANALOGICO DIN43650A

ANALOG TIMER DIN43650A
 TIMER ANALOG DIN43650A
 TEMPORISATION ANALOGIQUE DIN43650A
 TEMPORIZADOR ANALOGICO DIN43650A
 TEMPORIZADOR ANALÓGICO DIN43650A



Code	Pack.
90985 00 001	1
	min max
Temperature	- 10 °C + 50 °C



- Caratteristiche**
- 24 - 240V AC/DC
 - IP65 - EN6052
 - 1 A Max
 - 0.5 - 10 Sec. ON
 - 0.5 - 45 Min. OFF
 - Reset/Test

90987

TEMPORIZZATORE DIGITALE DIN43650A

DIGITAL TIMER DIN43650A
 DIGITALER TIMER DIN43650A
 TIMER DIGITAL DIN43650A
 DIGITAL TEMPORIZADOR DIN43650A
 TIMER DIGITAL DIN43650A



Code	Voltage	Power consumption	Pack.
90987 00 001	7 - 36V AC/DC	20mA MAX	1
90987 00 002	110 - 240V AC/DC	10mA MAX	1

	min	max
 Temperature	- 10 °C	+ 70 °C



Caratteristiche

Features

Features

Traits

Características

Recursos

- **Insulation Voltage: 100V AC - 1 minute**
- **Insulation Resistance: 50MΩ (500VDC)**
- **IP65 - EN6052**
- **Output Current: 1.5 A Max**
- **1 Sec. - 100 Hours -> ON**
- **1 Sec. - 100 Hours -> OFF**
- **4 DIGIT: Mode/Add/Enter/Reset**

VAL04

VALIGETTA ESPOSITIVA

DEMO CASE
 DEMONSTRATIONSKOFFER
 COFFRE DE DÉMONSTRATION
 MALETA EXPOSITOR
 MALETA EXPOSITORA



Code	Pack.
VAL04	1

SOLENOID PILOTS

2/2 NC

Ø 10 mm

ELETTROPILOTI 2/2 NC - Ø10 mm

SOLENOID PILOTS 2/2 NC - Ø10 mm

ELEKTROPILOTEN 2/2 NC - Ø10 mm

ÉLECTROPILOTES 2/2 NC - Ø10 mm

ELECTROPILOTOS 2/2 NC - Ø10 mm

PILOTOS ELÉTRICOS 2/2 NC - Ø10 mm



Kit operatore per valvole serie:
Operator kit for valves series:
Bediensatz für Armaturenserien:
Kit opérateur pour la série de vannes:
Kit operador para válvulas serie:
Kit do operador para as séries de válvulas:

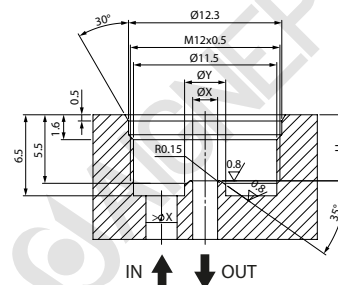
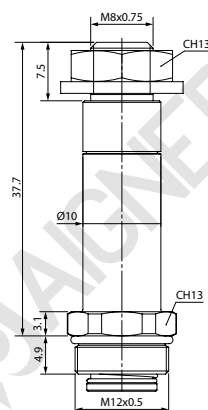
O1F
X1F
F1F
O4F (1/4" → 1")
X4F

Code	Materiale tenute Sealing materials Dichtungswerkstoffe Matériau joint Material juntas Material das vedações	Ø X	Ø Y	H	Pressione differenziale (OPD) Differential pressure (OPD) Differenzdruck (OPD) Pression différentielle (OPD) Presión diferencial (OPD) Pressão diferencial (OPD)			Potenza Power Leistung Puissance Potencia Potência			Bobine Coils Spulen Bobines Bobinas Bobinas	
					Min	Max DC	Max AC	DC W	AC VA	ATEX Ex m W	Size mm	Serie A - pag. 19.2 B - pag. 19.3 X - pag. 19.4

Code	Materiale tenute	Ø X	Ø Y	H	OPD	OPD			Power			Size	Serie
						Min	Max DC	Max AC	DC	AC	ATEX		
OPK04_TB2NC00 Acciaio Inox Stainless steel Edelstahl Acier inox Acero inox Aço-inox	N = NBR -10°C +90°C	1.5	2.8	5.3	0	16	30	6.5	7.5	-	22	A - SOL10	
						40	40	8	11	-	30	B - SOL11	
						40	40	-	-	5.3	30	X - SOLX4	
		V = FKM -10°C +140°C	2	3.3	5.3	0	12	25	6.5	7.5	-	22	A - SOL10
							30	40	8	11	-	30	B - SOL11
							18	35	-	-	5.3	30	X - SOLX4
	E = EPDM -10°C +140°C	2.5	3.8	5.5	0	4.5	18	6.5	7.5	-	22	A - SOL10	
						13	30	8	11	-	30	B - SOL11	
						6	12	-	-	5.3	30	X - SOLX4	
		3	4.3	5.6	0	3	10	6.5	7.5	-	22	A - SOL10	
						7	16	8	11	-	30	B - SOL11	
						3	5	-	-	5.3	30	X - SOLX4	
	4	5.3	5.8	0	1	4	6.5	7.5	-	22	A - SOL10		
					2.5	8	8	11	-	30	B - SOL11		
					1	2.5	-	-	5.3	30	X - SOLX4		

① Selezionare tenuta - Select seal material - Wählen Sie das Dichtungsmaterial aus - Sélectionner matériau d'étanchéité - Seleccionar material sellado - Seleccionar material de vedação

Bobina non inclusa - Coil not included - Magnetspulen separat - Bobines non incluse - Bobina no incluida - Bobinas não incluídas



BOBINE: SERIE A, B, X

COILS: SERIES A, B, X
SPULEN: SERIES A, B, X
BOBINES: SÉRIES A, B, X
BOBINAS: SERIES A, B, X
BOBINAS: SÉRIES A, B, X

PAG: 19.2 / 19.3 / 19.4

PAG: 19.2 / 19.3 / 19.4
PAG: 19.2 / 19.3 / 19.4
PAG: 19.2 / 19.3 / 19.4
PAG: 19.2 / 19.3 / 19.4
PAG: 19.2 / 19.3 / 19.4

CONNETTORI

CONNECTORS
STECKER
CONNECTEURS
CONECTORES
CONECTORES

PAG: 19.9 / 19.10

PAG: 19.9 / 19.10
PAG: 19.9 / 19.10
PAG: 19.9 / 19.10
PAG: 19.9 / 19.10
PAG: 19.9 / 19.10

SOLENOID PILOTS

ELETTROPILOTI 2/2 NA - Ø10 mm

SOLENOID PILOTS 2/2 NO - Ø10 mm

ELEKTROPILOTEN 2/2 NO - Ø10 mm

ÉLECTROPILOTES 2/2 NO - Ø10 mm

ELECTROPILOTOS 2/2 NO - Ø10 mm

PILOTOS ELÉTRICOS 2/2 NO - Ø10 mm


2/2 NO
Ø 10 mm
Kit operatore per valvole serie:

Operator kit for valves series:

Bediensatz für Armaturenserien:

Kit opérateur pour la série de vannes:

Kit operador para válvulas serie:

Kit do operador para as séries de válvulas:

Brass
O1F
F1F
O4F (1/4" → 1")
Kit operatore per valvole serie:

Operator kit for valves series:

Bediensatz für Armaturenserien:

Kit opérateur pour la série de vannes:

Kit operador para válvulas serie:

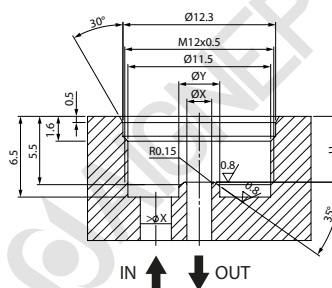
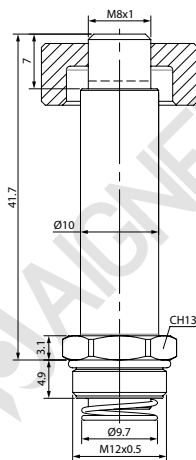
Kit do operador para as séries de válvulas:

Stainless steel
O1F
X1F
F1F
O4F (1/4" → 1")
X4F

Code	Materiale tenute Sealing materials Dichtungswerkstoffe Matériau joint Material juntas Material das vedações	Ø X	Ø Y	H	Pressione differenziale (OPD) Differential pressure (OPD) Differenzdruck (OPD) Pression différentielle (OPD) Presión diferencial (OPD) Pressão diferencial (OPD)			Potenza Power Leistung Puissance Potencia Potência			Bobine Coils Spulen Bobines Bobinas Bobinas	
					Min	Max DC	Max AC	DC W	AC VA	ATEX Ex m W	Size mm	Serie A - pag. 19.2 B - pag. 19.3 X - pag. 19.4
OPK04_TB2NO00 Ottone Brass Messing Laiton Latón Latão OPK04_TB2NOOX Acciaio Inox Stainless steel Edelstahl Acier inox Acero inox Aço-inox	N = NBR -10°C +90°C V = FKM -10°C +140°C	1.5	2.8	5.3	0	-	18	-	7.5	-	22	A - SOL10
						18	18	8	11	-	30	B - SOL11
						18	18	-	-	5.3	30	X - SOLX4
		2	3.3	5.3	0	-	10	-	7.5	-	22	A - SOL10
						10	10	8	11	-	30	B - SOL11
						10	10	-	-	5.3	30	X - SOLX4
	2.5	3.8	5.5	0	-	6.5	-	7.5	-	22	A - SOL10	
					6.5	6.5	8	11	-	30	B - SOL11	
					6.5	6.5	-	-	5.3	30	X - SOLX4	
	3	4.3	5.6	0	-	4.2	-	7.5	-	22	A - SOL10	
					4.2	4.2	8	11	-	30	B - SOL11	
					4.2	4.2	-	-	5.3	30	X - SOLX4	

① Selezionare tenuta - Select seal material - Wählen Sie das Dichtungsmaterial aus - Sélectionner matériau d'étanchéité - Seleccionar material sellado - Seleccionar material de vedação

Bobina non inclusa - Coil not included - Magnetspulen separat - Bobines non incluse - Bobina no incluida - Bobinas não incluídas


BOBINE: SERIE A, B, X

COILS: SERIES A, B, X

SPULEN: SERIES A, B, X

BOBINES: SÉRIES A, B, X

BOBINAS: SERIES A, B, X

BOBINAS: SÉRIES A, B, X

PAG: 19.2 / 19.3 / 19.4

PAG: 19.2 / 19.3 / 19.4

PAG: 19.2 / 19.3 / 19.4

PAG: 19.2 / 19.3 / 19.4

PAG: 19.2 / 19.3 / 19.4

PAG: 19.2 / 19.3 / 19.4

CONNETTORI

CONNECTORS

STECKER

CONNECTEURS

CONECTORES

CONECTORES

PAG: 19.9 / 19.10

PAG: 19.9 / 19.10

PAG: 19.9 / 19.10

PAG: 19.9 / 19.10

PAG: 19.9 / 19.10

PAG: 19.9 / 19.10

SOLENOID PILOTS

3/2 NC
Ø 10 mm
ELETTROPILOTI 3/2 NC - Ø10 mm

SOLENOID PILOTS 3/2 NC - Ø10 mm

ELEKTROPILOTEN 3/2 NC - Ø10 mm

ÉLECTROPILOTES 3/2 NC - Ø10 mm

ELECTROPILOTOS 3/2 NC - Ø10 mm

PILOTOS ELÉTRICOS 3/2 NC - Ø10 mm



Kit operatore per valvole serie:
 Operator kit for valves series:
 Bediensatz für Armaturenserien:
 Kit opérateur pour la série de vannes:
 Kit operador para válvulas serie:
 Kit do operador para as séries de válvulas:

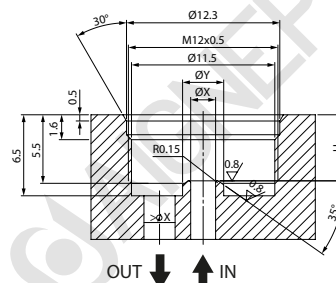
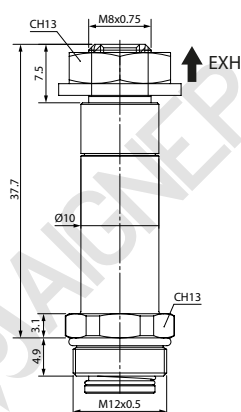
**O1F
X1F
F1F**

Code	Materiale tenute Sealing materials Dichtungswerkstoffe Matériau joint Material juntas Material das vedações	Ø X	Ø EXH	Ø Y	H	Pressione differenziale (OPD) Differential pressure (OPD) Differenzdruck (OPD) Pression différentielle (OPD) Presión diferencial (OPD) Pressão diferencial (OPD)			Potenza Power Leistung Puissance Potencia Potência			Bobine Coils Spulen Bobines Bobinas Bobinas	
						Bar			DC	AC	ATEX Ex m	Size	Serie
①	①	mm	mm	mm	mm	Min	Max DC	Max AC	W	VA	W	mm	A - pag. 19.2 B - pag. 19.3 X - pag. 19.4

Code	Materiale tenute Sealing materials Dichtungswerkstoffe Matériau joint Material juntas Material das vedações	Ø X	Ø EXH	Ø Y	H	OPD	OPD (Bar)		DC	AC	ATEX Ex m	Size	Serie
							Min	Max DC	Max AC	W			
OPK04_TB3NC00 Acciaio Inox Stainless steel Edelstahl Acier inox Acero inox Aço-inox	N = NBR -10°C +90°C	1.5	1.4	2.8	5.3	0	13.5	13.5	6.5	7.5	-	22	A - SOL10
							13.5	13.5	8	11	-	30	B - SOL11
							13.5	13.5	-	-	5.3	30	X - SOLX4
		2	1.4	3.3	5.3	0	8	8	6.5	7.5	-	22	A - SOL10
							8	8	8	11	-	30	B - SOL11
							8	8	-	-	5.3	30	X - SOLX4
	2.5	1.4	3.8	5.5	0	5	5	6.5	7.5	-	22	A - SOL10	
						5	5	8	11	-	30	B - SOL11	
						5	5	-	-	5.3	30	X - SOLX4	
	3	1.4	4.3	5.6	0	3.5	3.5	6.5	7.5	-	22	A - SOL10	
						3.5	3.5	8	11	-	30	B - SOL11	
						3.5	3.5	-	-	5.3	30	X - SOLX4	
4	1.4	5.3	5.8	0	2	2	6.5	7.5	-	22	A - SOL10		
					2	2	8	11	-	30	B - SOL11		
					2	2	-	-	5.3	30	X - SOLX4		

① Selezionare tenuta - Select seal material - Wählen Sie das Dichtungsmaterial aus - Sélectionner matériau d'étanchéité - Seleccionar material sellado - Seleccionar material de vedação

Bobina non inclusa - Coil not included - Magnetspulen separat - Bobines non incluse - Bobina no incluida - Bobinas não incluídas


BOBINE: SERIE A, B, X

COILS: SERIES A, B, X

SPULEN: SERIES A, B, X

BOBINES: SÉRIES A, B, X

BOBINAS: SERIES A, B, X

BOBINAS: SÉRIES A, B, X

PAG: 19.2 / 19.3 / 19.4

PAG: 19.2 / 19.3 / 19.4

PAG: 19.2 / 19.3 / 19.4

PAG: 19.2 / 19.3 / 19.4

PAG: 19.2 / 19.3 / 19.4

PAG: 19.2 / 19.3 / 19.4

CONNETTORI

CONNECTORS

STECKER

CONNECTEURS

CONECTORES

CONECTORES

PAG: 19.9 / 19.10

PAG: 19.9 / 19.10

PAG: 19.9 / 19.10

PAG: 19.9 / 19.10

PAG: 19.9 / 19.10

PAG: 19.9 / 19.10

SOLENOID PILOTS

3/2 NO
Ø 10 mm
ELETTROPILOTI 3/2 NA - Ø10 mm

SOLENOID PILOTS 3/2 NO - Ø10 mm

ELEKTROPILOTEN 3/2 NO - Ø10 mm

ÉLECTROPILOTES 3/2 NO - Ø10 mm

ELECTROPILOTOS 3/2 NO - Ø10 mm

PILOTOS ELÉTRICOS 3/2 NO - Ø10 mm


Kit operatore per valvole serie:

Operator kit for valves series:

Bediensatz für Armaturenserien:

Kit opérateur pour la série de vannes:

Kit operador para válvulas serie:

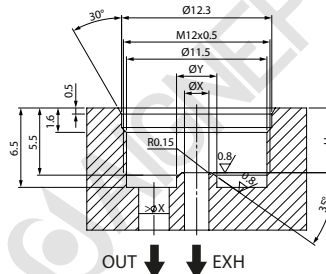
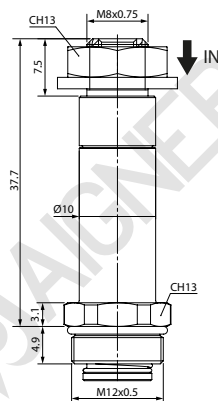
Kit do operador para as séries de válvulas:

**01F
X1F
F1F**

Code	Materiale tenute Sealing materials Dichtungswerkstoffe Matériau joint Material juntas Material das vedações	Ø IN	Ø X (EXH)	Ø Y	H	Pressione differenziale (OPD) Differential pressure (OPD) Differenzdruck (OPD) Pression différentielle (OPD) Presión diferencial (OPD) Pressão diferencial (OPD)			Potenza Power Leistung Puissance Potencia Potência			Bobine Coils Spulen Bobines Bobinas Bobinas	
						Bar			DC	AC	ATEX Ex m	Size	Serie
①	①	mm	mm	mm	mm	Min	Max DC	Max AC	W	VA	W	mm	A - pag. 19.2 B - pag. 19.3 X - pag. 19.4
OPK04_TB3NO00 Acciaio Inox Stainless steel Edelstahl Acier inox Acero inox Aço-inox	N = NBR -10°C +90°C	1.4	1.5	2.8	5.3	0	10	10	6.5	7.5	-	22	A - SOL10
							10	10	8	11	-	30	B - SOL11
							10	10	-	-	5.3	30	X - SOLX4
	V = FKM -10°C +140°C	1.4	2	3.3	5.3	0	10	10	6.5	7.5	-	22	A - SOL10
							10	10	8	11	-	30	B - SOL11
							10	10	-	-	5.3	30	X - SOLX4
	E = EPDM -10°C +140°C	1.4	2.5	3.8	5.5	0	4	10	6.5	7.5	-	22	A - SOL10
							10	10	8	11	-	30	B - SOL11
							4	10	-	-	5.3	30	X - SOLX4

 ① **Selezionare tenuta** - Select seal material - Wählen Sie das Dichtungsmaterial aus - Sélectionner matériau d'étanchéité - Seleccionar material sellado - Seleccionar material de vedação

Bobina non inclusa - Coil not included - Magnetspulen separat - Bobines non incluse - Bobina no incluida - Bobinas não incluídas


BOBINE: SERIE A, B, X

COILS: SERIES A, B, X

SPULEN: SERIES A, B, X

BOBINES: SÉRIES A, B, X

BOBINAS: SERIES A, B, X

BOBINAS: SÉRIES A, B, X

PAG: 19.2 / 19.3 / 19.4

PAG: 19.2 / 19.3 / 19.4

PAG: 19.2 / 19.3 / 19.4

PAG: 19.2 / 19.3 / 19.4

PAG: 19.2 / 19.3 / 19.4

PAG: 19.2 / 19.3 / 19.4

CONNETTORI

CONNECTORS

STECKER

CONNECTEURS

CONECTORES

CONECTORES

PAG: 19.9 / 19.10

PAG: 19.9 / 19.10

PAG: 19.9 / 19.10

PAG: 19.9 / 19.10

PAG: 19.9 / 19.10

PAG: 19.9 / 19.10

SOLENOID PILOTS

ELETTROPILOTI 2/2 NC - Ø13 mm

SOLENOID PILOTS 2/2 NC - Ø13 mm

ELEKTROPILOTEN 2/2 NC - Ø13 mm

ÉLECTROPILOTES 2/2 NC - Ø13 mm

ELECTROPILOTOS 2/2 NC - Ø13 mm

PILOTOS ELÉTRICOS 2/2 NC - Ø13 mm



2/2 NC

Ø 13 mm

Kit operatore per valvole serie:
 Operator kit for valves series:
 Bediensatz für Armaturenserien:
 Kit opérateur pour la série de vannes:
 Kit operador para válvulas serie:
 Kit do operador para as séries de válvulas:

* 02F	X3F
X2F	** 04F
* K2F	05F
F2F	90975
03F	

* OPK11 - Ø 6.4 mm
 ** 1"1/4 → 2"

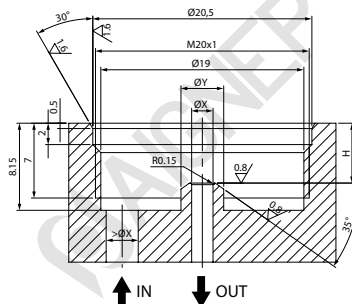
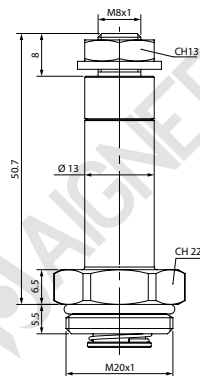
Code	Materiale tenute Sealing materials Dichtungswerkstoffe Matériau joint Material juntas Material das vedações	Ø X	Ø Y	H	Pressione differenziale (OPD) Differential pressure (OPD) Differenzdruck (OPD) Pression différentielle (OPD) Pressión diferencial (OPD) Pressão diferencial (OPD)			Potenza Power Leistung Puissance Potencia Potência		Bobine Coils Spulen Bobines Bobinas Bobinas	
					Bar			DC	AC	Size	Serie
①	①	mm	mm	mm	Min	Max DC	Max AC	W	VA	mm	C - pag. 19.5 D - pag. 19.6 E - pag. 19.7

OPK05_TB2NC00 Acciaio Inox Stainless steel Edelstahl Acier inox Acero inox Aço-inox	N = NBR -10°C +90°C	1.5	3.5	5.6	0	50	50	8	14	30	C - SOL20	
						50	50	14	21	30	D - SOL20	
						50	50	22	31	36	E - SOL21	
		V = FKM -10°C +140°C	2	4	5.6	0	35	50	8	14	30	C - SOL20
							50	50	14	21	30	D - SOL20
							50	50	22	31	36	E - SOL21
	E = EPDM -10°C +140°C		2.5	4.5	5.8	0	21	35	8	14	30	C - SOL20
							30	40	14	21	30	D - SOL20
							45	50	22	31	36	E - SOL21
		* OPK11_TB2NC00 Acciaio Inox Stainless steel Edelstahl Acier inox Acero inox Aço-inox	3	5	5.9	0	10	21	8	14	30	C - SOL20
							16	30	14	21	30	D - SOL20
							40	40	22	31	36	E - SOL21
* 6.4	4		6	6.1	0	3	10	8	14	30	C - SOL20	
						6	14	14	21	30	D - SOL20	
						15	20	22	31	36	E - SOL21	
	5	6.8	6.4	0	1.4	5	8	14	30	C - SOL20		
					2.2	7	14	21	30	D - SOL20		
					5.5	10	22	31	36	E - SOL21		
* 6.4	8.0	6.6	0	-	2.5	-	14	30	C - SOL20			
				1.5	3.5	14	21	30	D - SOL20			
					4.5	5	22	31	36	E - SOL21		

① Selezionare tenuta - Select seal material - Wählen Sie das Dichtungsmaterial aus - Sélectionner matériau d'étanchéité - Seleccionar material sellado - Seleccionar material de vedação

Bobina non inclusa - Coil not included - Magnetspulen separat - Bobines non incluse - Bobina no incluida - Bobinas não incluídas

* Solo per Ø 6.4 mm - Only for Ø 6.4 mm - Nur für Ø 6.4 mm - Seulement pour Ø 6.4 mm - Solo para Ø 6.4 mm - Apenas para Ø 6.4 mm



BOBINE: SERIE C, D, E

COILS: SERIES C, D, E
 SPULEN: SERIES C, D, E
 BOBINES: SÉRIES C, D, E
 BOBINAS: SERIES C, D, E
 BOBINAS: SÉRIES C, D, E

PAG: 19.5 / 19.6 / 19.7

PAG: 19.5 / 19.6 / 19.7
 PAG: 19.5 / 19.6 / 19.7
 PAG: 19.5 / 19.6 / 19.7
 PAG: 19.5 / 19.6 / 19.7
 PAG: 19.5 / 19.6 / 19.7

CONNETTORI

CONNECTORS
 STECKER
 CONNECTEURS
 CONECTORES
 CONECTORES

PAG: 19.10

PAG: 19.10
 PAG: 19.10
 PAG: 19.10
 PAG: 19.10
 PAG: 19.10

SOLENOID PILOTS

ELETTROPILOTI 2/2 NA - Ø13 mm
 SOLENOID PILOTS 2/2 NO - Ø13 mm
 ELEKTROPILOTEN 2/2 NO - Ø13 mm
 ÉLECTROPILOTES 2/2 NO - Ø13 mm
 ELECTROPILOTOS 2/2 NO - Ø13 mm
 PILOTOS ELÉTRICOS 2/2 NO - Ø13 mm



2/2 NO

Ø 13 mm

Kit operatore per valvole serie:
 Operator kit for valves series:
 Bediensatz für Armaturenserien:
 Kit opérateur pour la série de vannes:
 Kit operador para válvulas serie:
 Kit do operador para as séries de válvulas:

Brass

O2F
 F2F
 O4F (1"1/4 → 2")

Kit operatore per valvole serie:
 Operator kit for valves series:
 Bediensatz für Armaturenserien:
 Kit opérateur pour la série de vannes:
 Kit operador para válvulas serie:
 Kit do operador para as séries de válvulas:

Stainless steel

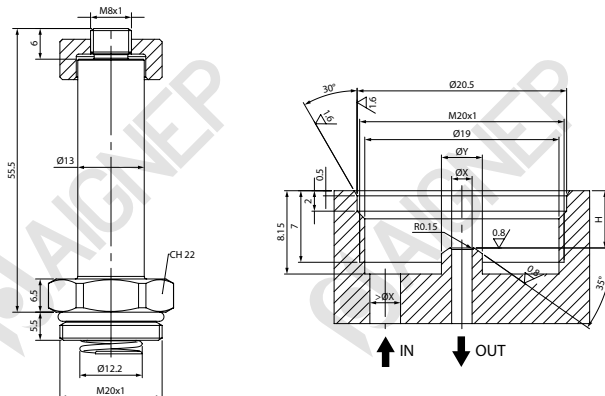
O2F
 X2F
 K2F
 F2F
 O4F (1"1/4 → 2")

Code	Materiale tenute Sealing materials Dichtungswerkstoffe Matériau joint Material juntas Material das vedações	Ø X	Ø Y	H	Pressione differenziale (OPD) Differential pressure (OPD) Differenzdruck (OPD) Pression différentielle (OPD) Presión diferencial (OPD) Pressão diferencial (OPD)			Potenza Power Leistung Puissance Potencia Potência		Bobine Coils Spulen Bobines Bobinas Bobinas	
					Min	Max DC	Max AC	DC	AC	Size	Serie
①	①	mm	mm	mm	Bar			W	VA	mm	C - pag. 19.5 D - pag. 19.6 E - pag. 19.7

OPK05_TB2NO00 Ottone Brass Messing Laiton Latón Latão	N = NBR -10°C +90°C	1.5	3.5	5.6	0	-	25	-	14	30	C - SOL20		
						25	25	14	21	30	D - SOL20		
						25	25	22	31	36	E - SOL21		
		OPK05_TB2NOOX Acciaio Inox Stainless steel Edelstahl Acier inox Acero inox Aço-inox	V = FKM -10°C +140°C	2	4	5.6	0	-	18	-	14	30	C - SOL20
								18	18	14	21	30	D - SOL20
								18	18	22	31	36	E - SOL21
E = EPDM -10°C +140°C	2.5			4.5	5.8	0	-	12	-	14	30	C - SOL20	
							12	12	14	21	30	D - SOL20	
							12	12	22	31	36	E - SOL21	
		3	5	5.9	0	-	7.5	-	14	30	C - SOL20		
						7.5	7.5	14	21	30	D - SOL20		
						7.5	7.5	22	31	36	E - SOL21		
4		6	6.1	0	-	4.5	-	14	30	C - SOL20			
					4.5	4.5	14	21	30	D - SOL20			
					4.5	4.5	22	31	36	E - SOL21			
5	6.8	6.4	0	-	2.5	-	14	30	C - SOL20				
				2.5	2.5	14	21	30	D - SOL20				
				2.5	2.5	22	31	36	E - SOL21				

① Selezionare tenuta - Select seal material - Wählen Sie das Dichtungsmaterial aus - Sélectionner matériau d'étanchéité - Seleccionar material sellado - Seleccionar material de vedação

Bobina non inclusa - Coil not included - Magnetspulen separat - Bobines non incluse - Bobina no incluida - Bobinas não incluídas



BOBINE: SERIE C, D, E
 COILS: SERIES C, D, E
 SPULEN: SERIES C, D, E
 BOBINES: SÉRIES C, D, E
 BOBINAS: SERIES C, D, E
 BOBINAS: SÉRIES C, D, E

PAG: 19.5 / 19.6 / 19.7
 PAG: 19.5 / 19.6 / 19.7
 PAG: 19.5 / 19.6 / 19.7
 PAG: 19.5 / 19.6 / 19.7
 PAG: 19.5 / 19.6 / 19.7
 PAG: 19.5 / 19.6 / 19.7

CONNETTORI
 CONNECTORS
 STECKER
 CONNECTEURS
 CONECTORES
 CONECTORES

PAG: 19.10
 PAG: 19.10
 PAG: 19.10
 PAG: 19.10
 PAG: 19.10
 PAG: 19.10

SOLENOID PILOTS

ELETTROPILOTI 3/2 NC - Ø13 mm

SOLENOID PILOTS 3/2 NC - Ø13 mm

ELEKTROPILOTEN 3/2 NC - Ø13 mm

ÉLECTROPILOTES 3/2 NC - Ø13 mm

ELECTROPILOTOS 3/2 NC - Ø13 mm

PILOTOS ELÉTRICOS 3/2 NC - Ø13 mm

3/2 NC

Ø 13 mm



OPK05

OPK10

Kit operatore per valvole serie: OPK05
 Operator kit for valves series:
 Bediensatz für Armaturenserien: **O2F**
 Kit opérateur pour la série de vannes: **X2F**
 Kit operador para válvulas serie: **K2F**
 Kit do operador para as séries de válvulas: **F2F (optional)**

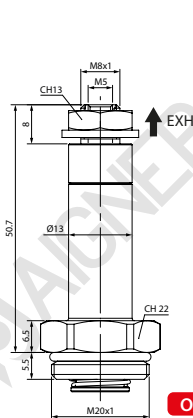
Kit operatore per valvole serie: OPK10
 Operator kit for valves series:
 Bediensatz für Armaturenserien: **F2F**
 Kit opérateur pour la série de vannes: **O2F (optional)**
 Kit operador para válvulas serie: **X2F (optional)**
 Kit do operador para as séries de válvulas: **K2F (optional)**

Code	Materiale tenute Sealing materials Dichtungswerkstoffe Matériau joint Material juntas Material das vedações	Ø X	Ø EXH		Ø Y	H	Pressione differenziale (OPD) Differential pressure (OPD) Differenzdruck (OPD) Pression différentielle (OPD) Presión diferencial (OPD) Pressão diferencial (OPD)			Potenza Power Leistung Puissance Potencia Potência		Bobine Coils Spulen Bobines Bobinas Bobinas		
			OPK05	OPK10			Bar			DC	AC	Size	Serie	
①	①	mm	mm	mm	mm	mm	mm	Min	Max DC	Max AC	W	VA	mm	C - pag. 19.5 D - pag. 19.6 E - pag. 19.7

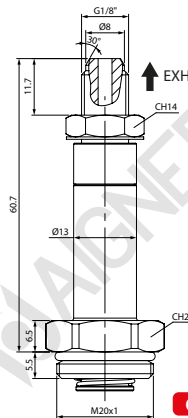
OPK05_TB3NC00 Acciaio Inox Stainless steel Edelstahl Acier inox Acero inox Aço-inox	N = NBR -10°C +90°C V = FKM -10°C +140°C	1.5	1.9	2.3	3.5	5.6	0	25	25	8	14	30	C - SOL20		
								25	25	14	21	30	D - SOL20		
								25	25	22	31	36	E - SOL21		
		OPK10_TB3NC00 Acciaio Inox Stainless steel Edelstahl Acier inox Acero inox Aço-inox	E = EPDM -10°C +140°C	2	1.9	2.3	4	5.6	0	18	18	8	14	30	C - SOL20
										18	18	14	21	30	D - SOL20
										18	18	22	31	36	E - SOL21
3	1.9			2.3	4.5	5.8	0	0	13	13	8	14	30	C - SOL20	
									13	13	14	21	30	D - SOL20	
									13	13	22	31	36	E - SOL21	
4	1.9	2.3	5	5.9	0	0	10	10	8	14	30	C - SOL20			
							10	10	14	21	30	D - SOL20			
							10	10	22	31	36	E - SOL21			
5	1.9	2.3	6	6.1	0	0	6	6	8	14	30	C - SOL20			
							6	6	14	21	30	D - SOL20			
							6	6	22	31	36	E - SOL21			
5	1.9	2.3	6.8	6.4	0	0	3	3	8	14	30	C - SOL20			
							3	3	14	21	30	D - SOL20			
								3	3	22	31	36	E - SOL21		

① Selezionare tenuta - Select seal material - Wählen Sie das Dichtungsmaterial aus - Sélectionner matériau d'étanchéité - Seleccionar material sellado - Seleccionar material de vedação

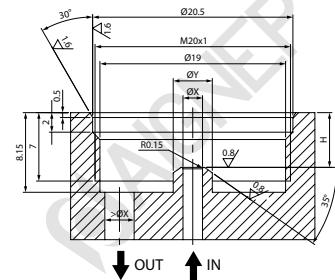
Bobina non inclusa - Coil not included - Magnetspulen separat - Bobines non incluse - Bobina no incluida - Bobinas não incluídas



OPK05



OPK10



BOBINE: SERIE C, D, E

COILS: SERIES C, D, E

SPULEN: SERIES C, D, E

BOBINES: SÉRIES C, D, E

BOBINAS: SERIES C, D, E

BOBINAS: SÉRIES C, D, E

PAG: 19.5 / 19.6 / 19.7

PAG: 19.5 / 19.6 / 19.7

PAG: 19.5 / 19.6 / 19.7

PAG: 19.5 / 19.6 / 19.7

PAG: 19.5 / 19.6 / 19.7

PAG: 19.5 / 19.6 / 19.7

CONNETTORI

CONNECTORS

STECKER

CONNECTEURS

CONECTORES

CONECTORES

PAG: 19.10

PAG: 19.10

PAG: 19.10

PAG: 19.10

PAG: 19.10

PAG: 19.10



VALVOLA COASSIALE DI INTERCETTAZIONE

COAXIAL VALVE

PNEUMATISCHES AXIALVENTIL

VANNE COAXIALE

VÁLVULA COAXIAL

VÁLVULA COAXIAL DE INTERCEPTAÇÃO

NEW



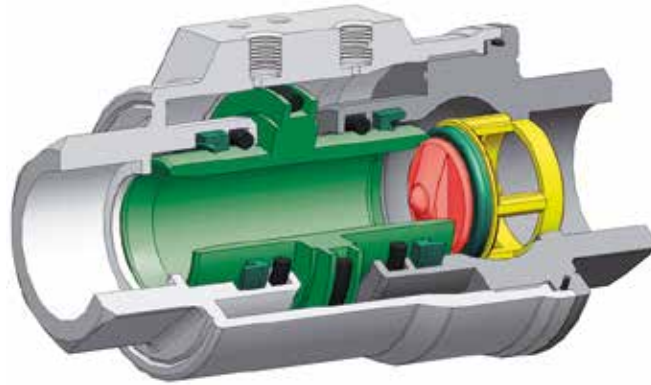
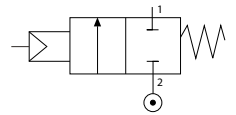
Serie X7F

SERIE X7F

VALVOLA COASSIALE DI INTERCETTAZIONE

COAXIAL VALVE
 PNEUMATISCHES AXIALVENTIL
 VANNE D'ARRÊT
 VÁLVULA COAXIAL
 VÁLVULA COAXIAL DE INTERCEPTAÇÃO

2/2 NC

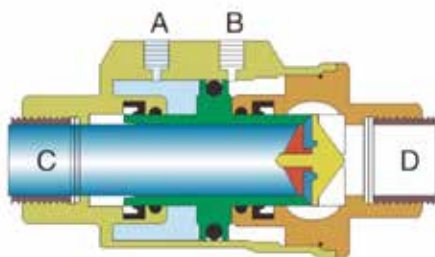
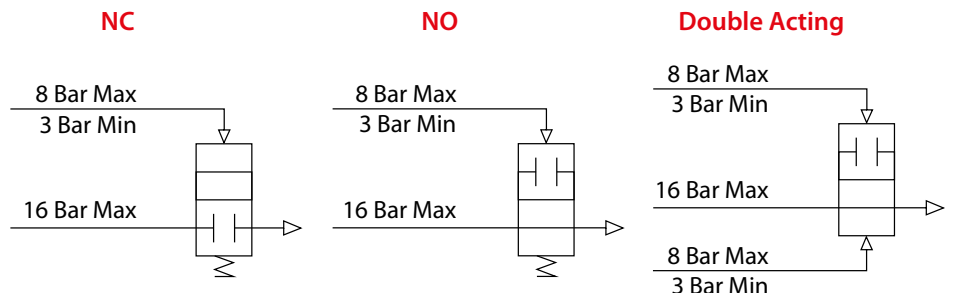


Funzionamento, caratteristiche e vantaggi IT	Operation, features and benefits GB	Funktionsweise, Merkmale und Vorteile DE
<p>Questa valvola si apre e si chiude grazie al movimento del pistone forzato dall'aria compressa. Quando la pressione del fluido agisce sulla sede della valvola, il pistone incontra poca resistenza, consentendo così alla valvola di aprirsi/chiudersi rapidamente. Il design consente una dinamica del fluido più efficiente e una minore perdita di pressione.</p>	<p>This valve opens and closes through piston motion forced by compressed air. As fluid pressure acts onto valve seat, the piston experiences little resistance and thereby enables the valve to quickly open/close. The design improvement results in more efficient fluid dynamics and less pressure loss.</p>	<p>Dieses Ventil öffnet und schließt sich durch eine von Druckluft erzwungene Kolbenbewegung. Da der Flüssigkeitsdruck auf den Ventilsitz wirkt, erfährt der Kolben nur geringen Widerstand und ermöglicht so ein schnelles Öffnen/Schließen des Ventils. Das Design führt zu einer effizienteren Fluidodynamik und weniger Druckverlust.</p>
Fonctionnement, caractéristiques et avantages FR	Funcionamiento, características y ventajas ES	Funcionamento, características e vantagens PT
<p>Cette valve s'ouvre et se ferme grâce au mouvement du piston forcé par l'air comprimé. Lorsque la pression du fluide agit sur le siège de la soupape, le piston n'éprouve qu'une faible résistance, ce qui permet à la soupape de s'ouvrir et de se fermer rapidement. Les conception permettent une dynamique des fluides plus efficace et une perte de pression moindre.</p>	<p>Esta válvula se abre y se cierra mediante el movimiento del pistón forzado por el aire comprimido. Cuando la presión del fluido actúa sobre el asiento de la válvula, el pistón experimenta poca resistencia y, por lo tanto, permite que la válvula se abra/cierre rápidamente. El diseño permite una dinámica de fluidos más eficaz y una menor pérdida de presión.</p>	<p>Essa válvula abre e fecha por meio do movimento do êmbolo forçado pelo ar comprimido. Como a pressão do fluido atua na sede da válvula, o êmbolo sofre pouca resistência e, assim, permite que a válvula abra/feche rapidamente. O aprimoramento do projeto resulta em uma dinâmica de fluido mais eficiente e menor queda de pressão.</p>

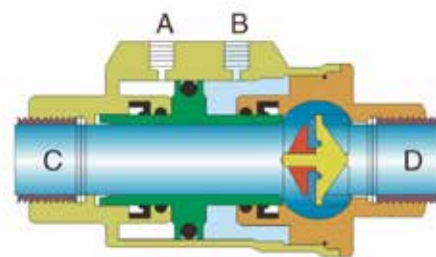


Schemi di funzionamento

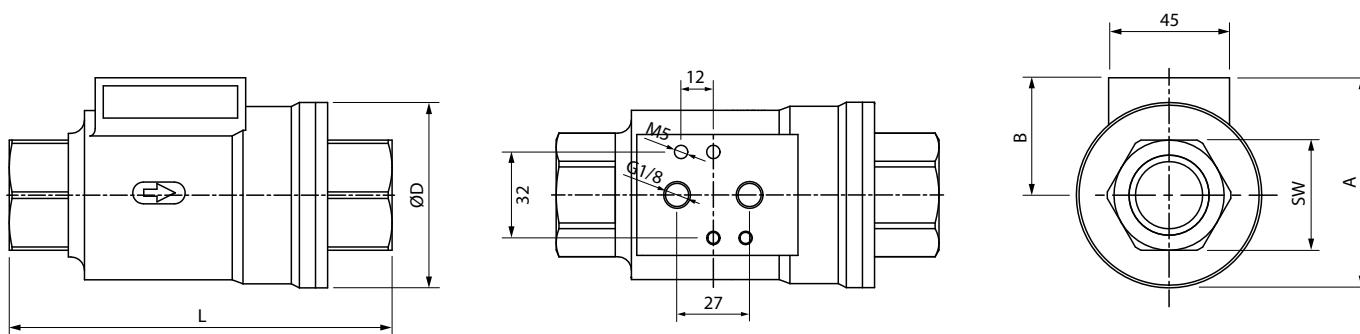
- Working plan
- Funktionsprinzip
- Plan de travail
- Plan de trabajo
- Esquema de funcionamiento



CLOSED



OPEN



Thread	DN	A	Ø D	SW	B	L
3/8"	10	56	46	22	33	98
1/2"	15	61	52	26.5	36	112
3/4"	20	72	64	32	40	135
1"	25	78	69	41	43	143
1 1/4"	32	94	86	50	51	165
1 1/2"	40	104	96	56	56	180
2"	50	116	108	70	62	207

COMANDI UTILIZZABILI - COMMANDS AVAILABLE - VERFÜGBARE BEFEHLE - COMMANDES UTILISABLES - COMANDOS UTILIZABLES - COMANDOS DISPONÍVEIS

Valvola Elettropneumatica Namur

Namur Solenoid Pilot Valve
 Namur Elektropneumatische Ventile
 Distributeurs Électropneumatiques Namur
 Válvulas de Accionamiento Electroneumático Namur
 Válvulas de Acionamento Eletropneumático Namur



Vedi catalogo Generale Aignep
 See Aignep General Catalogue
 Siehe Aignep Gesamtkatalog
 Voir le catalogue général de l'Aignep
 Ver Catálogo General Aignep
 Consulte o Catálogo Geral da Aignep

Valvola pneumatica Namur

Namur Pnumatic Valve
 Namur Pneumatische Ventile
 Distributeurs Pneumatiques Namur
 Válvulas de Accionamiento Neumático Namur
 Válvulas de Acionamento Pneumático Namur



Vedi catalogo Generale Aignep
 See Aignep General Catalogue
 Siehe Aignep Gesamtkatalog
 Voir le catalogue général de l'Aignep
 Ver Catálogo General Aignep
 Consulte o Catálogo Geral da Aignep

Micro Valvole

Micro Valves
 Mikroventile
 Microdistributeurs
 Microválvulas
 Micro-Válvulas



Vedi catalogo Generale Aignep
 See Aignep General Catalogue
 Siehe Aignep Gesamtkatalog
 Voir le catalogue général de l'Aignep
 Ver Catálogo General Aignep
 Consulte o Catálogo Geral da Aignep



VALVOLA A IMPULSI

PULSE VALVE

IMPULSMAGNETVENTIL

ÉLECTROVANNE À IMPULSION

VÁLVULA DE IMPULSE

VÁLVULA DE PULSO

Serie 09F



Le elettrovalvole serie 09F – valvole ad impulsi – sono dispositivi a membrana progettati per gestire impulsi di aria ad alta energia in tempi estremamente rapidi.

Portate elevate, basso consumo d'aria, alta ripetibilità, tempi di risposta immediati, ingombri e pesi ridotti garantiscono prestazioni ad alto rendimento.

Il loro utilizzo avviene tipicamente in sistemi di depolverazione e raccolta polveri.

Principali vantaggi

- Connessioni da 3/4" a 1"1/2
- Membrana in termoplastica
- Portate elevate
- Tempi di risposta immediati
- Elevata affidabilità e ripetibilità
- Consumi d'aria ridotti

Applicazioni

- Sistemi di depolverazione
- Pulizia filtri industriali
- Industria siderurgica, cemento, ceramica e vetro
- Aspiratori
- Cabine di verniciatura elettrostatica

The 09F series solenoid valves – pulse valves – are diaphragm devices designed to handle high-energy air pulses in extremely short times.

High flow rates, low air consumption, high repeatability, immediate response times, reduced dimensions and weights guarantee high-yield performance.

The use typically takes place in dust collectors systems.

Main advantages

- Connections from 3/4" to 1"1/2
- Thermoplastic diaphragm
- High flow rates
- Immediate response times
- High reliability and repeatability
- Reduced air consumption

Applications

- Dust collectors systems
- Industrial filters cleaning
- Iron and steel, Cement, Ceramic and Glass industries
- Aspirators
- Electrostatic painting booths

Die Impuls-Magnetventile der Serie 09F, haben Membranen, die für die Verarbeitung von Luftimpulsen mit hoher Energie in extrem kurzen Zeiten ausgelegt sind. Hohe Durchflussraten, geringer Luftverbrauch, hohe Wiederholgenauigkeit, sofortige Reaktionszeiten, reduzierte Abmessungen und Gewichte garantieren eine hohe Leistungsfähigkeit.

Die Verwendung erfolgt in der Regel in Staubabscheideranlagen

Vorteile

- Anschlüsse von 3/4" bis 1"1/2
- Thermoplastische Membrane
- Hohe Durchflussraten
- Schnelle Reaktionszeiten
- Hohe Zuverlässigkeit und Wiederholbarkeit
- Reduzierter Luftverbrauch

Anwendungen

- Staubabscheider-Systeme
- Reinigung von Industriefiltern
- Eisen- und Stahlindustrie, Zement-, Keramik- und Glasindustrie
- Absauganlagen
- Elektrostatische Lackierkabinen

Les électrovannes de la série 09F - vannes à impulsions - sont des dispositifs à membrane conçus pour gérer des impulsions d'air à haute débit en des temps extrêmement courts.

Des débits élevés, une faible consommation d'air, une répétabilité élevée, des temps de réponse immédiats, des dimensions et des poids réduits garantissent des performances de haut rendement.

L'utilisation a généralement lieu dans des systèmes de dépolluissage/nettoyage filtres.

Principaux avantages

- Connexions de 3/4" à 1"1/2
- Diaphragme thermoplastique
- Débits élevés
- Délais de réponse immédiats
- Haute fiabilité et répétabilité
- Consommation d'air réduite

Applications

- Systèmes de dépolluissage
- Nettoyage de filtres industriels
- Industries sidérurgiques, cimentières, céramiques et verrières
- Aspirateurs
- Cabines de peinture électrostatique

Las válvulas de solenoide de la serie 09F, válvulas de pulso, son dispositivos de membrana diseñados para manejar pulsos de aire de alta energía en tiempos extremadamente cortos.

Altos caudales, bajo consumo de aire, alta repetibilidad, tiempos de respuesta inmediatos, dimensiones y pesos reducidos garantizan un rendimiento de alta productividad.

El uso, típicamente tiene lugar en sistemas de colectores de polvo.

Principales ventajas

- Conexiones de 3/4" a 1"1/2
- Juntas termoplástico
- Altos caudales
- Tiempos de respuesta inmediatos
- Alta fiabilidad y repetibilidad
- Consumo de aire reducido

Aplicaciones

- Sistemas colectores de polvo
- Limpieza de filtros industriales
- Siderurgia, Cemento, Cerámica y Vidrio
- Aspiradores
- Cabinas de pintura electrostática

As válvulas solenóides da série 09F – válvulas de pulso – são válvulas de diafragma projetadas para lidar com pulsos de ar de alta energia em tempos de extremamente curtos.

Altas vazões, baixo consumo de ar, alta repetibilidade, tempos de resposta imediatos, dimensões e peso reduzidos garantem um desempenho de alto rendimento.

A aplicação ocorre normalmente em sistemas coletores de pó.

Principais vantagens

- Conexões de 3/4" a 1"1/2
- Diafragma termoplástico
- Altas taxas de fluxo
- Tempos de resposta imediatos
- Alta confiabilidade e repetibilidade
- Redução do consumo de ar

Aplicações

- Sistemas coletores de pó
- Limpeza de filtros industriais
- Siderurgia, Cimento, Cerâmica e Vidros
- Sistemas de Aspiração Industrial
- Cabinas de pintura eletrostática



Caratteristiche generali - 09F	IT	General features - 09F	GB	Eigenschaften - 09F	DE
<ul style="list-style-type: none"> - Dimensioni ridotte - Alta affidabilità - Portata elevata - Qualità e prestazioni - Elevato ciclo vita - Tempo di risposta in apertura: 100 ms - Tempo di risposta in chiusura: 100 ms 		<ul style="list-style-type: none"> - Compact design - High reliability - Flow rate - Quality and performance - Long life cycle - Response time: Opening Time: 100 ms - Response time: Closing time: 100 ms 		<ul style="list-style-type: none"> - Reduzierte Abmessung - Hohe Zuverlässigkeit - Hoher Durchfluss - Qualität in der Leistung - Langes Leben - Öffnungsreaktionszeit: 100 ms - Reaktionszeit schlissen: 100 ms 	
Caractéristiques générales - 09F	FR	Características generales - 09F	ES	Características gerais - 09F	PT
<ul style="list-style-type: none"> - Dimensions réduites - Grande fiabilité - Haut débit - Qualité de performances - Durée de vie utile - Temps de réponse à l'ouverture: 100 ms - Temps de réponse à la fermeture: 100 ms 		<ul style="list-style-type: none"> - Dimensiones compactas - Alta Fiabilidad - Alto Caudal - Calidad en el desempeño - Large vida útil - Tiempo respuesta apertura: 100 ms - Tiempo respuesta cierre: 100 ms 		<ul style="list-style-type: none"> - Design Compacto - Alta confiabilidade - Alta vazão - Qualidade e performance - Longa vida útil - Tempo de Resposta: Tempo de Abertura: 100 ms - Tempo de Resposta: Tempo de Fechamento: 100 ms 	



Tabella dei codici di ordinazione

Ordering codes

Bestellschlüssel

Composition de la référence de commande

Tabla para definición de código

Tabela de código de compra

SERIE	Connessione Port size Masse Dimension Tamaño Tamanho	Funzione Functions Funktion Fonctions Función Funções	Orifizio Orifice Dn Passage Orifizio Orifício	Materiale guarnizioni Sealing materials Dichtungswerkstoffe Matériaux des joints Material juntas Material das vedações	Versione Version Ausführung Version Versión Versão	Bobina Coil Spule Bobine Bobina Solenóide
-------	---	--	--	---	---	--

0 9 F

0 7

1

2 5

0

0

T B

07 = 3/4"

09 = 1"

XG = 1"1/2

1 = 2/2 NC

Normalmente chiusa
Normally closed
Normalerweise geschlossen
Normalment fermée
Normalmente cerrada
Normalmente fechada

25 = 25 mm

44 = 44 mm

0 = Termoplastica
Termoplastic
Thermoplastischen
Termoplastique
Termoplástico
Termoplástico

0 = Standard

TB = 24 V DC - 18W

T1 = 24 V AC - 15 VA

T4 = 110 V AC - 15 VA

T5 = 230 V AC - 24 VA

Bobine certificate ATEX su richiesta
ATEX certified coils on request
ATEX zertifizierte spule auf anfrage
Bobine certifiées ATEX sur demande
Bobina certificadas ATEX bajo pedido
Bobina certificadas ATEX sob pedido

SERIE 09F

VALVOLA A IMPULSI
 PULSE VALVE
 IMPULSMAGNETVENTIL
 ÉLECTROVANNE À IMPULSION
 VÁLVULA DE IMPULSE
 VÁLVULA DE PULSO

2/2 NC


3/4" → 1"1/2





Bobine certificate ATEX su richiesta
ATEX certified coils on request
ATEX zertifizierte spule auf anfrage
Bobine certifiées ATEX sur demande
Bobina con certificación ATEX bajo pedido
Bobina certificadas ATEX sob pedido

Materiali e Componenti	IT	Materials and Components	GB	Materialien und Komponenten	DE
1 Corpo: Alluminio 2 Membrana: Termoplastica 3 Parti interne: Acciaio Inox 4 Anello di sfasamento: Rame 5 Sede: Alluminio 6 Tubo guida: Acciaio Inox 7 Molle: Acciaio Inox		1 Body: Aluminium 2 Seals: Thermoplastic 3 Internal parts: Stainless steel 4 Shading ring: Copper 5 Seats: Aluminium 6 Core tube: Stainless steel 7 Springs: Stainless steel		1 Körper: Aluminium 2 Thermoplastdichtung 3 Innenteilen: Edelstahl 4 Sitzring: Kupfer 5 Gehäuse: Aluminium 6 Kern: Edelstahl 7 Federn: Edelstahl	
Matériaux et Composants	FR	Materiales y componentes	ES	Materiais e Componentes	PT
1 Corps: Aluminium 2 Membrane: Thermoplastique 3 Composants internes: Acier Inox 4 Anneau de déphasage: Cuivre 5 Emplacement: Aluminium 6 Tube de guidage: Acier Inox 7 Ressort: Acier Inox		1 Cuerpo: Aluminio 2 Juntas: Termoplástico 3 Partes internas: Acero Inox 4 Anillo de asiento: Cobre 5 Asiento: Aluminio 6 Nucleo fijo y móvil: Acero Inox 7 Muelle: Acero Inox		1 Corpo: Alumínio 2 Vedações: Termoplástico 3 Partes Internas: Aço Inoxidável 4 Anel de Assento: Cobre 5 Assento: Alumínio 6 Corpo tubo: Aço Inoxidável 7 Mola: Aço Inoxidável	



Fluidi compatibili
Aria compressa


Fluids
Compressed air

Geeignete Medien
Druckluft

Fluides compatibles
Air comprimé

Fluidos compatibles
Aire comprimido

Fluidos compatíveis
Ar comprimido



Servizio continuo

Continuous service

Dauereinsatz

Service continu

Servicio continuo

Serviço Contínuo

ED 100%



Grado di protezione

Protection degree


Schutzart

Degré de protection

Grado de protección

Grau de proteção

IP 65 (ISO 60529)



Temperatura ambiente

Ambient temperature


Umgebungstemperatur

Température ambiante

Temperatura ambiente

Temperatura Ambiente

- 20 °C
+ 80 °C



Connessione elettrica

Electric plug connection


Elektrische Steckverbindung

Prise électrique

Conexión de enchufe eléctrico

Plug de conexão elétrica

FORM A
EN 175301-803
(EX DIN 43650)



Tolleranze di tensione

Voltage tolerance

Spannungstoleranz

Tolérance de la tension

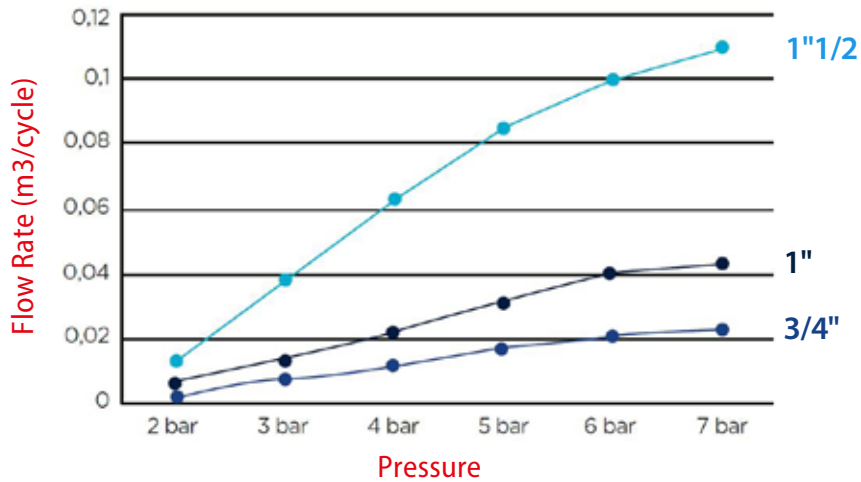
Tolerancia de tensión

Tolerância de tensão

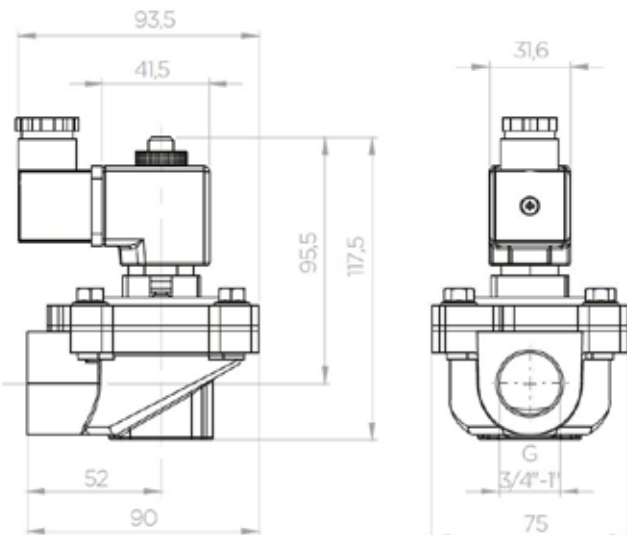
±10%

Code	Conessioni Port size Verbindungen Connexions Conexões	Ø Orifizio Ø Orifice Ø Dn Ø Passage Ø Orificio Ø Orificio	Kv	Pressione differenziale (OPD) Differential pressure (OPD) Differenzdruck (OPD) Pression différentielle (OPD) Presión diferencial (OPD) Pressão diferencial (OPD)		Potenza Power Leistung Puissance Potencia Potência		Bobine Coils Spulen Bobines Bobinas Bobinas	
				Bar		DC	AC	Size	Serie
	ISO 228	mm	l/min	Min	Max	W	VA	mm	
09F 07 1 25 0 0	3/4"	25	150	0.5	8	18	-	32	TB - 24 VDC
						-	15	32	T1 - 24 VAC
						-	15	32	T4 - 110 VAC
						-	24	32	T5 - 230 VAC
09F 09 1 25 0 0	1"	25	270	0.5	8	18	-	32	TB - 24 VDC
						-	15	32	T1 - 24 VAC
						-	15	32	T4 - 110 VAC
						-	24	32	T5 - 230 VAC
09F XG 1 44 0 0	1 1/2"	44	774	0.5	8	18	-	32	TB - 24 VDC
						-	15	32	T1 - 24 VAC
						-	15	32	T4 - 110 VAC
						-	24	32	T5 - 230 VAC

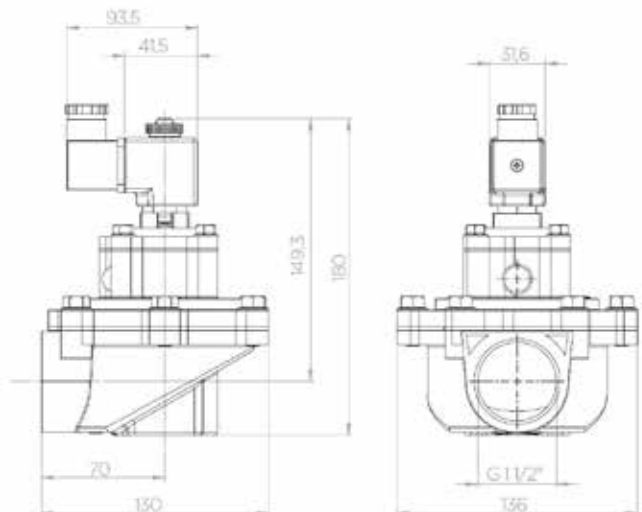
② **Selezionare bobina** - Select coil - Spule auswählen - Sélectionner bobines - Seleccionar bobinas - Seleccionar Bobina




3/4" - 1"

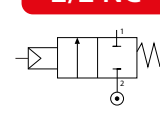


1 1/2"







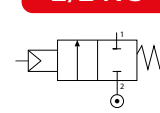
2/2 NC



3/8" → 2"
Pag. 23.6

2/2 NC



1/2" → 2"
Pag. 23.8



3/2 NC

Serie 01V - X1V
Aignep general catalogue



3/2 NC

Serie 07V
Aignep general catalogue



3/2 NC

Serie 01F
Pag. 1.8

VALVOLE A SEDE INCLINATA

ANGLE SEAT VALVES

SCHRÄGSITZVENTIL

VANNES À SIÈGE INCLINÉ

VÁLVULAS DE ASIEN TO INCLINADO

VÁLVULAS DE ASSEN TO ANGULAR



Serie X1Y - X2Y



Applicazioni - X1Y - X2Y	IT	Applications - X1Y - X2Y	GB	Awendungen - X1Y - X2Y	DE
Industria chimica, farmaceutica e tessile, macchine riempitrici, sterilizzatori, acqua e fluidi alimentari, oli, vapore, benzine, gas, fluidi aggressivi, vuoto.		Chemical industry, pharma and textile, filling machines, sterilizers, water and food & beverage fluids, oils, steam, gasoline, gases, aggressive fluids, vacuum.		Chemische Industrie, Pharma und Textil, Füllmaschinen, Sterilisatoren, Wasser und Lebensmittel & Getränke Flüssigkeiten, Öle, Dampf, Benzin, Gase, aggressive Flüssigkeiten, Vakuum.	
Applications - X1Y - X2Y	FR	Aplicaciones - X1Y - X2Y	ES	Aplicações - X1Y - X2Y	PT
Industrie chimique, pharmaceutique et textile, machines de remplissage, stériliseurs, eau et liquides alimentaires, huiles, vapeur, essence, gaz, fluides agressifs, vide.		Industria química, farmacéutica y textil, máquinas de llenado, esterilizadores, agua y alimentos y bebidas fluidos, aceites, vapor, gasolina, gases, fluidos agresivos, vacío.		Indústria química, farmacêutica e têxtil, máquinas de enchimento, esterilizadores, água e alimentos e bebidas fluidos, óleos, vapor, gasolina, gases, fluidos agressivos, vácuo.	



Caratteristiche generali - X1Y - X2Y	IT	General features - X1Y - X2Y	GB	Eigenschaften - X1Y - X2Y	DE
<ul style="list-style-type: none"> - Posizione di montaggio universale - Ingresso sottosedo per ridurre il colpo d'ariete - Tenuta in PTFE - Comando pneumatico - Indicatore visivo della posizione 		<ul style="list-style-type: none"> - Universal mounting position - Inlet below seat to reduce water-hammer effects - PTFE sealing - Pneumatic control - Visual position indicator 		<ul style="list-style-type: none"> - Einbaulage universal - Einlass unter dem Sitz zur Reduzierung von Wasserschlägen - PTFE-Abdichtung - Pneumatische Steuerung - Visuelle Positionsanzeige 	
Caractéristiques générales - X1Y - X2Y	FR	Características generales - X1Y - X2Y	ES	Características gerais - X1Y - X2Y	PT
<ul style="list-style-type: none"> - Position de montage universelle - Entrée sous le siège pour réduire les effets de coups de bélier - Étanchéité PTFE - Commande pneumatique - Indicateur visuel de position 		<ul style="list-style-type: none"> - Posición de montaje universal - Entrada debajo de asiento para reducir los efectos del golpe de ariete - Sellado de PTFE - Mando neumático - Indicador de posición visual 		<ul style="list-style-type: none"> - Posição de montagem universal - Entrada abaixo do assento para reduzir os efeitos do golpe de ariete - Vedação de PTFE - Comando pneumático - Indicador de posição visual 	

SERIE X1Y

CUSTODIA ATTUATORE: ACCIAIO INOX AISI 304

ACTUATOR HOUSING: STAINLESS STEEL AISI 304

BETÄTIGUNGSELEMENT: EDELSTAHL AISI 304

BOÎTIER D'ACTIONNEUR: ACIER INOXYDABLE AISI 304

ALOJAMIENTO DEL ACTUADOR: ACERO INOXIDABLE AISI 304

ALOJAMENTO DE ATUADOR: AÇO INOX AISI 304



SERIE X2Y

CUSTODIA ATTUATORE: TECNOPOLIMERO PA06

ACTUATOR HOUSING: TECHNOLYMER PA06

BETÄTIGUNGSELEMENT: TECHNOLYMER PA06

BOÎTIER D'ACTIONNEUR: TECHNOLYMÈRE PA06

ALOJAMIENTO DEL ACTUADOR: TECNOLÍMERO PA06

ALOJAMENTO DE ATUADOR: TECHNOLYMER PA06

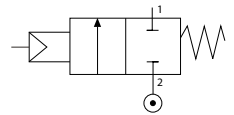


SERIE X1Y

2/2 NC 3/8" → 2"

VALVOLE A SEDE INCLINATA - INGRESSO SOTTOSEDE - ATTUATORE ACCIAIO INOX

ANGLE SEAT VALVES - INLET BELOW SEAT - STAINLESS STEEL ACTUATOR
 SCHRÄGSITZVENTIL - EINLASS UNTERHALB DES SITZES - EDELSTAHL BETÄTIGUNGSELEMENT
 VANNES À SIÈGE INCLINÉ - ENTRÉE SOUS LE SIÈGE - ACTIONNEUR ACIER INOXYDABLE
 VÁLVULAS DE ASIENTO INCLINADO - ENTRADA POR DEBAJO DEL ASIENTO - ACTUADOR ACERO INOXIDABLE
 VÁLVULAS DE ASSENTO ANGULAR - ENTRADA ABAIXO DO ASSENTO - ATUADOR AÇO INOX



Ex II 2G/D h T4

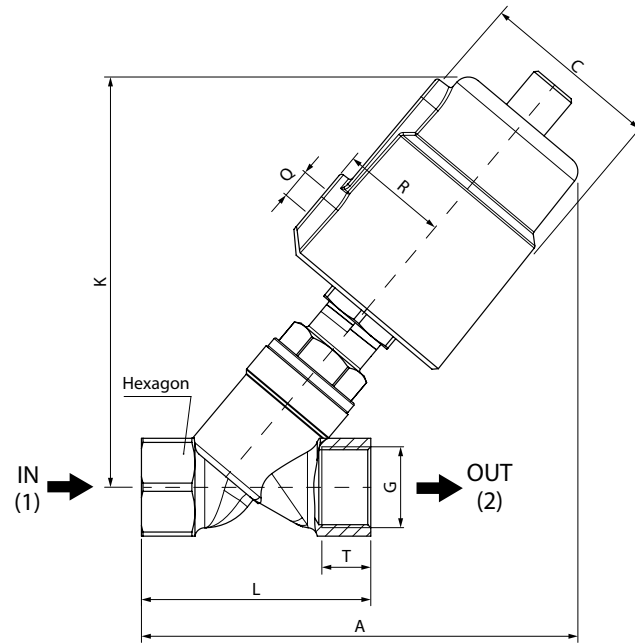


<p style="text-align: right;">IT</p> <p>Ricevendo il fluido in ingresso sottosede la valvola previene il colpo d'ariete.</p>	<p style="text-align: right;">GB</p> <p>By receiving the inlet fluid below seat the valve prevent the water-hammer effect.</p>	<p style="text-align: right;">DE</p> <p>Durch die Aufnahme der Eingangsflüssigkeit unterhalb des Sitzes verhindert das Ventil den Wasserschlag-Effekt.</p>
<p style="text-align: right;">FR</p> <p>En recevant le fluide d'entrée sous le siège, la vanne empêche l'effet de coup de bélier.</p>	<p style="text-align: right;">ES</p> <p>Entrando el fluido bajo obturador la válvula previene el golpe de ariete.</p>	<p style="text-align: right;">PT</p> <p>Recebendo o fluido de entrada por baixo do assento a válvula previne o golpeo de ariete.</p>

Code	Materiale tenute Sealing materials Dichtungswerkstoffe Matériau joint Material juntas Material das vedações	Connessioni Port size Verbindungen Connexions Conexiones Conexões	DN	Ø Orifizio Ø Orifice Ø Dn Ø Passage Ø Orificio Ø Orifício	Viscosità Viscosity Viskosität Viscosité Viscosidad Viscosidade	Kv	Pressione differenziale (OPD) Differential pressure (OPD) Differenzdruck (OPD) Pression différentielle (OPD) Presión diferencial (OPD) Pressão diferencial (OPD)		Taglia attuatore Actuator size Antriebsgröße Taille de actionneur Tamaño de actuador Tamanho do atuador	Pressione pilotaggio Control pressure Steuerdruck Pression de commande Control de presión Control de pressão		
							Bar				mm	Bar
							Min	Max				
X1Y 04 1 040 0	PTFE -10°C +180°C	3/8"	10	13	600	3.9	0	13	40	≥ 4		
X1Y 05 1 040 0		1/2"	15	13	600	4.3	0	13	40	≥ 4		
X1Y 07 1 050 0		3/4"	20	18	600	7.6	0	14	50	≥ 4.5		
X1Y 09 1 050 0		1"	25	24	600	15.8	0	8	50	≥ 4.5		
X1Y 09 1 063 0							0	13	63	≥ 5		
X1Y XF 1 063 0		1"1/4	32	31	600	26	0	6	63	≥ 5		
X1Y XF 1 090 0							0	16	90	≥ 6		
X1Y XG 1 063 0		1"1/2	40	35	600	32	0	5	63	≥ 5		
X1Y XG 1 090 0							0	16	90	≥ 6		
X1Y XH 1 063 0		2"	50	45	600	52	0	2	63	≥ 5		
X1Y XH 1 090 0							0	10	90	≥ 6		

PTFE - P max= 10 bar: Con vapore - With steam - Mit dampf - Avec vapeur - Con vapor - Com vapor

EN 12266 Class A: Classe di perdita - Leakage class - Leckageklasse - Classe de fuite - Clase de fuga - Classe de vazamento



Size (G)	DN	Q	Actuator (mm)	A	L	C	K	T	R
3/8"	10	1/8"	40	124	68	50.5	112	12	27
1/2"	15	1/8"	40	124	68	50.5	112	15	27
3/4"	20	1/8"	50	140	75	60	132	16	33
1"	25	1/8"	50	150	90	60	136	17	33
	25	1/8"	63	172	90	75	162	17	41
1"1/4	32	1/8"	63	190	116	75	174	21	41
	32	1/8"	90	235	116	106	223	21	55
1"1/2	40	1/8"	63	190	116	75	175	21	41
	40	1/8"	90	235	116	106	223	21	55
2"	50	1/8"	63	205	138	75	183	22	41
	50	1/8"	90	250	138	106	232	22	55

Silenziatore sullo scarico dell'attuatore incluso
 Silencer on actuator exhaust included
 Schalldämpfer am Antriebsauspuff enthalten
 Silencieux sur l'échappement de l'actionneur inclus
 Silenciador en el escape del actuador incluido
 Silenciador no escape do atuador incluído

SERIE X2Y

VALVOLE A SEDE INCLINATA - INGRESSO SOTTOSEDE - ATTUATORE TECNOPOLIMERO

ANGLE SEAT VALVES - INLET BELOW SEAT - TECHNOPOLYMER ACTUATOR

SCHRÄGSITZVENTIL - EINLASS UNTERHALB DES SITZES - TECHNOPOLYMER BETÄTIGUNGSELEMENT

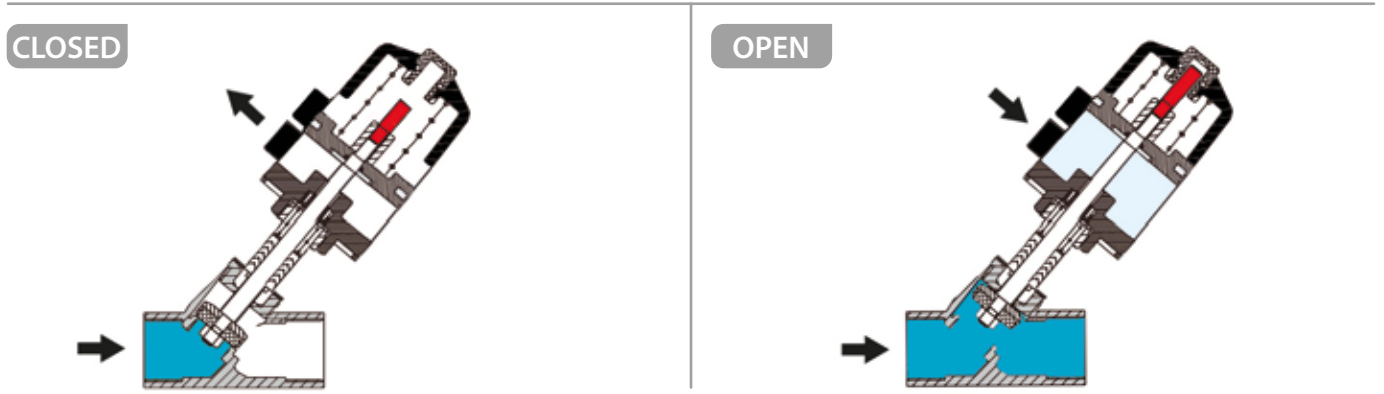
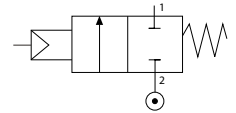
VANNES À SIÈGE INCLINÉ - ENTRÉE SOUS LE SIÈGE - ACTIONNEUR TECHNOPOLYMÈRE

VÁLVULAS DE ASIENTO INCLINADO - ENTRADA POR DEBAJO DEL ASIENTO - ACTUADOR TECNOPOLÍMERO

VÁLVULAS DE ASSENTO ANGULAR - ENTRADA ABAIXO DO ASSENTO - ATUADOR TECHNOPOLYMER

2/2 NC

1/2" → 2"

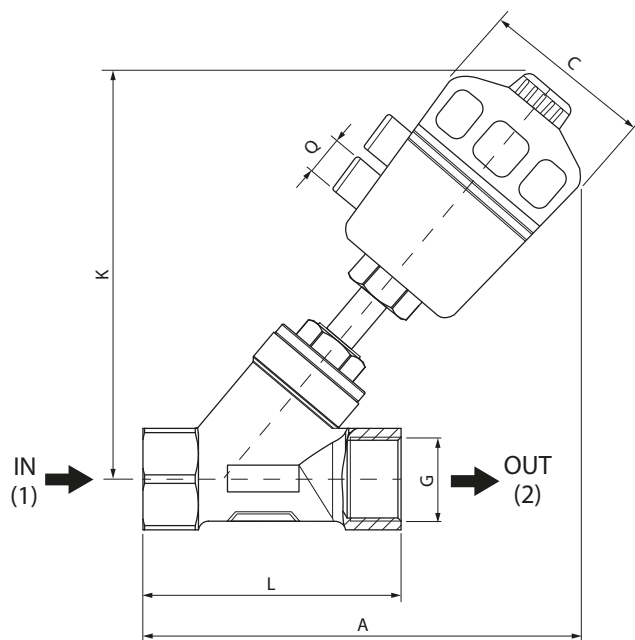


<p>IT</p> <p>Ricevendo il fluido in ingresso sottosede la valvola previene il colpo d'ariete.</p>	<p>GB</p> <p>By receiving the inlet fluid below seat the valve prevents the water-hammer effect.</p>	<p>DE</p> <p>Durch die Aufnahme der Eingangsflüssigkeit unterhalb des Sitzes verhindert das Ventil den Wasserschlag-Effekt.</p>
<p>FR</p> <p>En recevant le fluide d'entrée sous le siège, la vanne empêche l'effet de coup de bélier.</p>	<p>ES</p> <p>Entrando el fluido bajo obturador la válvula previene el golpe de ariete.</p>	<p>PT</p> <p>Recebendo o fluido de entrada por baixo do assento a válvula previne o golpeo de ariete.</p>

Code	Materiale tenute Sealing materials Dichtungswerkstoffe Matériau joint Material juntas Material das vedações	Conessioni Port size Verbindungen Connexions Conexiones Conexões	DN	Ø Orifizio Ø Orifice Ø Dn Ø Passage Ø Orificio Ø Orifício	Viscosità Viscosity Viskosität Viscosité Viscosidad Viscosidade	Kv	Pressione differenziale (OPD) Differential pressure (OPD) Differenzdruck (OPD) Pression différentielle (OPD) Presión diferencial (OPD) Pressão diferencial (OPD)		Taglia attuatore Actuator size Antriebsgröße Taille de actionneur Tamaño de actuator Tamanho do atuador	Pressione pilotaggio Control pressure Steuerdruck Pression de commande Control de presión Control de pressão
							Bar			
		ISO 228	mm	mm	cSt	m ³ /h	Min	Max		
X2Y 05 1 040 0	PTFE -10°C +180°C	1/2"	15	13	600	4.7	0	12	40	≥ 5
X2Y 05 1 050 0							0	16		
X2Y 07 1 050 0		3/4"	20	19	600	9.5	0	15	50	≥ 5
X2Y 09 1 063 0		1"	25	24	600	18.1	0	15	63	≥ 5
X2Y XF 1 080 0		1"1/4	32	31	600	23.1	0	15	80	≥ 5
X2Y XG 1 080 0		1"1/2	40	35	600	32.9	0	12	80	≥ 5
X2Y XH 1 080 0		2"	50	45	600	52.8	0	8	80	≥ 5

PTFE - P max= 10 bar: Con vapore - With steam - Mit dampf - Avec vapeur - Con vapor - Com vapor

EN 12266 Class A: Classe di perdita - Leakage class - Leckageklasse - Classe de fuite - Clase de fuga - Classe de vazamento



Size (G)	DN	Q	Actuator (mm)	A	L	C	K
1/2"	15	1/4"	40	160	85	53	138
	15	1/4"	50	169	85	64	144
3/4"	20	1/4"	50	177	95	64	160
1"	25	1/4"	63	218	105	80	186
1"1/4	32	1/4"	80	236	118	100	205
1"1/2	40	1/4"	80	250	125	100	212
2"	50	1/4"	80	260	145	100	225

Silenziatore sullo scarico dell'attuatore non incluso (prodotto disponibile nel catalogo generale Aignep, capitolo Adapters)

Silencer on actuator exhaust not included (product available in Aignep general catalogue, chapter Adapters)

Schalldämpfer am Antriebsauspuff nicht enthalten (Produkt im Aignep Gesamtkatalog, Kapitel Adapter)

Silencieux sur l'échappement de l'actionneur non inclus (produit disponible dans le catalogue général Aignep, chapitre Adaptateurs)

Silenciador en el escape del actuador no incluido (producto disponible en catálogo general Aignep, capítulo Adaptadores)

Silenciador no escape do atuador não incluído (produto disponível no catálogo geral da Aignep, capítulo Adaptadores)

ESECUZIONI SPECIALI SU RICHIESTA

SPECIAL EXECUTIONS ON REQUEST
 SONDERAUSFÜHRUNGEN AUF ANFRAGE
 EXÉCUTIONS SPÉCIALES SUR DEMANDE
 EJECUCIONES ESPECIALES BAJO PEDIDO
 ESPECTÁCULOS ESPECIAIS A PEDIDO

IT

Per "esecuzioni speciali" si intendono tutti quei prodotti aventi costruzioni più o meno complesse atte a ottimizzare il funzionamento dell'applicazione. Il valore aggiunto che offre Aignep è di proporre e sviluppare soluzioni customizzate per soddisfare le richieste più esigenti dei nostri Clienti che operano in molteplici settori industriali. Trovare la soluzione è il nostro punto di forza e di seguito proponiamo alcune "esecuzioni speciali" da noi realizzate.

GB

By "special executions" it means all that products having complex constructions suitable for optimizing the operation of the application. The added value that Aignep offers is to propose and develop customized solutions to satisfy the most demanding requests of our Customers who operates in many industrial sectors. Finding the solution is our strength and below are proposed some "special executions" we have realized.

DE

Unter "Sonderausführungen" versteht man alle Produkte mit komplexen Konstruktionen, die geeignet sind, den Betrieb der Anwendung zu optimieren. Der Mehrwert, den Aignep bietet, besteht darin, kundenspezifische Lösungen vorzuschlagen und zu entwickeln, um die anspruchsvollsten Anforderungen unserer Kunden zu erfüllen, die in vielen Industriesektoren tätig sind. Unsere Stärke ist es, Lösungen zu finden, und im Folgenden werden einige "Sonderausführungen" vorgestellt, die wir realisiert haben.

FR

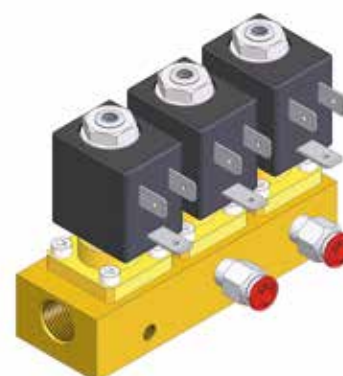
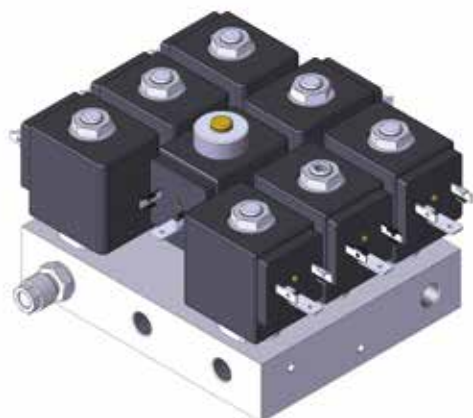
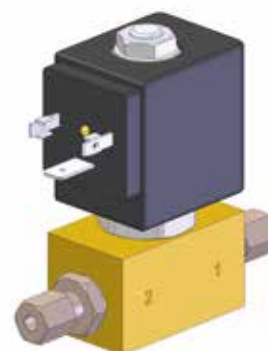
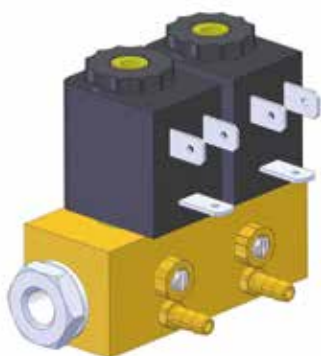
Par "exécution spéciales", nous entendons tous les produits ayant des constructions plus ou moins complexes adaptées à optimiser le fonctionnement de l'application. La valeur ajoutée qu'offre Aignep est de proposer et de développer des solutions personnalisées pour satisfaire les demandes de nos Clients qui opèrent dans de nombreux secteurs industriels. Apporter la solution est notre force et ci-dessous vous trouverez quelques "exécution spéciales" que nous avons réalisées.

ES

Por "ejecuciones especiales" nos referimos a todos aquellos productos con construcciones más o menos complejas adecuadas para optimizar el funcionamiento de la aplicación. El valor añadido que ofrece Aignep es proponer y desarrollar soluciones personalizadas para satisfacer las solicitudes más exigentes de nuestros clientes que operan en múltiples sectores industriales. Encontrar la solución es nuestro punto fuerte, más abajo pueden ver algunos proyectos hechos por nosotros.

PT

Por "execuções especiais" se entende os produtos que tenham, construções mais ou menos complexas, adequados para otimizar o funcionamento da aplicação. O valor agregado que a Aignep oferece é de propor e desenvolver soluções customizadas que satisfaçam as solicitações mais exigentes dos nossos clientes, que operam em múltiplos setores industriais. Encontrar soluções é nosso ponto forte. E abaixo estão algumas "execuções especiais" que já realizamos.



Serie Infinity



Linea di distribuzione aria compressa, gas inerti e vuoto
Distribution system for compressed air, inert gases and vacuum
Druckluftverteilungssystem, Edelgase und Vakuum
Réseau de distribution pour air comprimé, gaz neutres et vide industriel
Línea de distribución de aire comprimido, gases inertes y vacío
Linha de distribuição de ar comprimido, gás e vácuo



Richiedi il Catalogo
Request Catalogue
Katalogbestellung
Demande de catalogue
Solicitud de catálogo
Solicite seu catálogo



1 Serie 50000

Raccordi automatici
Push-in fittings
Steckverschraubungen
Raccords instantanés
Racordaje automático
Conexões push-in



2 Serie 55000

Raccordi automatici in tecnopolimero
Technopolymeric push-in fittings
Kunststoff Steckverschraubungen
Raccords instantanés en tecnopolymère
Racordaje automático en tecnopolimero
Conexões push-in em tecnopolimero



3 Serie 57000

Raccordi automatici metallici
Metallic push-in fittings
Vollmetall Steckverschraubungen
Raccords instantanés tout laiton nickelé
Racordaje automático metálico
Conexões push-in metálicas



4 Serie 4000V

Raccordi automatici metallici con guarnizioni FKM
Metallic push-in Fittings with FKM seal
Vollmetall Steckverschraubungen mit FKM Dichtungen
Raccords instantanés tout laiton nickelé joint FKM
Racordaje automático metálico con juntas FKM
Conexões push-in metálicas com vedações em FKM



5 Serie Foods & Drinks (53000 - 53000X - 59000 - 70000)

Raccordi automatici in PPSU CW510L, INOX 316L, food grade, raccordi a funzione, valvole a sfera, adattatori
PPSU push-in fitting CW510L, INOX 316L, food grade, function fittings, ball valve, adapters
Kunststoff steckverschraubungen PPSU CW510L, INOX 316L, lebensmittelkonform, funktionsverschraubungen, magnetventile, adapter
Raccords instantanés en PPSU CW510L, INOX 316L, qualité alimentaire, raccords à fonctions, robinets à boisseau sphérique, adaptateurs
Racordaje automático en PPSU CW510L, INOX 316L, food grade, racores a funciones, válvulas, accesorios
Conexões push-in em PPSU CW510L, INOX 316L, indústria alimentícia, conexões funcionais, válvulas de esfera, acessórios



6 Serie Inox (60000 - 61000 - 62000 - 63000 - 66000 - 69000)

Raccordi automatici, a calzamento, a compressione, innesti rapidi, adattatori, valvole a sfera, elettrovalvole e raccordi a funzione
Push-in fittings, push-on fittings, compression fittings, quick couplings, adapters, ball valve, solenoid valves and function fittings
Steckverschraubungen, armaturen, verschraubungen, schnellkupplungen, adapter, magnetventile, kugelhähne und funktionsverschraubungen
Raccords instantanés, à coiffe, à bagues bicône, coupleurs rapides, adaptateurs, distributeurs, robinets à boisseau sphérique et raccords à fonctions
Racordaje automático, rápido, a compresión, enchufes rápidos, Electrovalvulas, accesorios, válvulas y racores a funciones
Conexões push-in, push-on, compressão, engates rápidos, Acessórios, válvulas de esfera, válvula solenóide e conexões funcionais



7 Serie Inch (85000 - 89000)

Raccordi automatici in tecnopolimero - Raccordi automatici metallici per tubi Inch
Technopolymeric push-in fitting - Metallic push-in fittings for inch tube
Kunststoff steckverschraubungen - Vollmetall steckverschraubungen für zoll rohre
Raccords instantanés en tecnopolymère - Raccords instantanés laiton nickelé pour tubes pouces
Racordaje automático en tecnopolimero - Racordaje automático metálico para tubo en pulgadas
Conexões push-in em tecnopolimero - Conexões push-in metálicas para tubos em polegada



8 Serie 58000

Raccordi automatici alta pressione
High pressure push-in fittings
Steckverschraubungen für Hochdruck
Raccords instantanés haute pression
Racordaje automático para alta presión
Conexões push-in para alta pressão



9 Serie 1000

Raccordi a calzamento
Push-on Fittings
Überwurfverschraubungen
Raccords à coiffe
Racordaje rápido
Conexões push-on



10 Serie Mist Fit (84000H)

Raccordi automatici per nebulizzazione
Push-in fittings for mistings systems
Steckverschraubungen für befeuchtungssysteme
Raccords instantanés pour brumisation
Racordaje automáticos para nebulización
Conexões push-in para sistemas de nebulização



Product Range

11 Serie Function

Raccordi a funzione
Function fittings
Funktionsverschraubungen
Raccords à fonctions
Racordaje a funciones neumáticas
Conexões funcionais



12 Serie Ghilux

Valvole a sfera
Ball valves
Kugelhähne
Robinets a boisseau sphérique
Válvulas a esfera
Válvulas de esfera



13 Serie Adapters

Raccordi filettati
Nickel-Plated brass adaptors
Gewindeverschraubungen
Accessoires de raccordement - Adaptateurs laiton
Racordaje roscado
Acessórios roscados em latão niquelado



14 Serie Tubes

Tubi in materiale plastico
Plastic tubes
Plastik Rohre
Tubes et tuyaux techniques
Tubos en material plástico
Tubos em material plástico



15 Serie Quick Couplings

Giunti ad innesto rapido e pistole ad aria
Quick Couplings and blow guns
Schnellkupplungen und Blaspistolen
Coupleurs rapides et soufflettes
Enchufes rápidos y pistolas de aire
Conexões de engate rápido e pistolas de ar



16 Serie Compression Fittings (9000 - 10000 - 13000)

Raccordi a compressione, raccordi a bicono e raccordi universali
Compression fittings, double cone fittings and universal fittings
Klemmring Verschraubungen, Doppelkegel Verschraubungen, Universal Verschraubungen
Raccords à compression, Raccords à bicone, Raccords universels laiton
Racordaje a compresión, racordaje universal a bicono, racordaje universal
Conexões de compressão, conexões universais de cone duplo, conexões universais



17 Serie Valves

Valvole Elettropneumatiche, Pneumatiche e Manuali
Manual, pneumatic and solenoid pilot valve
Manuelle, Pneumatische- und Elektro-Pneumatische Ventile
Distributeurs électropneumatiques, Pneumatiques et manuels
Válvulas electroneumáticas, neumáticas y manuales
Válvulas eletro-pneumáticas, pneumáticas e manuais



18 Serie Actuators

Attuatori pneumatici
Pneumatic actuators
Pneumatische antriebe
Actionneurs pneumatiques
Actuadores neumáticos
Atuadores pneumáticos



19 Serie Electric Actuators

Cilindri Elettrici
Electric Actuators
Elektrische Zylinder
Verins Electriques
Cilindros Eléctricos
Cilindros Eléctricos



20 Serie F.R.L

Componenti per il trattamento dell'aria compressa
Air treatment units
Druckluftaufbereitung
Unité de traitement d'air comprimé
Componentes para el tratamiento del aire comprimido
Componentes para tratamento de ar comprimido



